

Summer, 2011

New Development Product
6J LED series

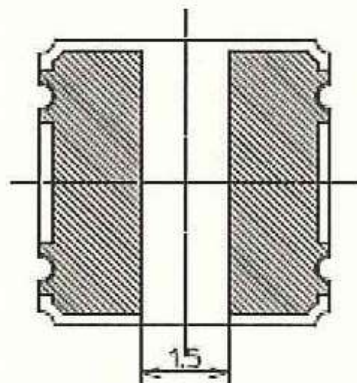
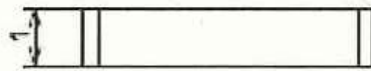
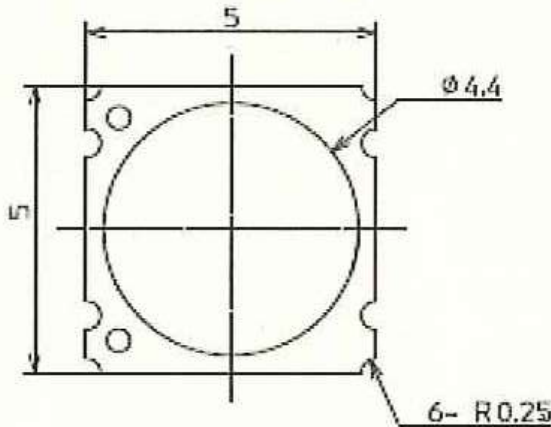
Stanley Electric Co., Ltd

【GW1646JTE/ 6 LED dies, 1W type】

New
Development

Release Oct. 2011

Ceramic 150lm/W



Features

- World Top class Efficiency : **150lm/W**
- High reliability based “Environmental design”
 - **Sulfide protection Ceramic PKG**
- Chromaticity: Comply to **ANSI 4/16** (MacAdam-STEP3 level)
- Low Color Temp. & High CRI lineup
 - New lineup 2000K, 2400K
- Compatible (**Same mounting pattern**) with Stanley 3J LED series

Main Performance

| | |
|----------|----------------------------------|
| Flux | 157lm (5000K @350mA) |
| Rth | 15°C/W |
| Tjmax | 150°C |
| IFmax | 800mA |
| Lifetime | 50,000hrs (Flux maintenance 70%) |

Lineup

| | |
|-------------|----------------------|
| Color Temp. | 2000K – 6500K |
| CRI | -Z type Ra95 (Min90) |
| | -Y type Ra85 (Min80) |
| | -X type Ra70 |

6J series Lineup

| Color Temp. | CRI | | Part Name | Flux (TYP) | Efficiency |
|-------------|------------------|----------------|------------------------|------------|------------|
| | Ra | R9 | | lm | lm/W |
| 2000 | 85(min80) | (min50) | GSPW1656JTE-20Y | 85 | 80 |
| 2400 | 85(min80) | (min50) | GSPW1656JTE-24Y | 100 | 95 |
| 2700 | 70 | - | GSPW1656JTE-27X | 135 | 128 |
| | 85(min80) | (min50) | GSPW1656JTE-27Y | 105 | 100 |
| | 95(min90) | (min95) | GSPW1656JTE-27Z | 85 | 80 |
| 3000 | 70 | - | GSPW1656JTE-30X | 140 | 133 |
| | 85(min80) | (min50) | GSPW1656JTE-30Y | 110 | 105 |
| | 95(min90) | (min95) | GSPW1656JTE-30Z | 88 | 84 |
| 4000 | 70 | - | GSPW1656JTE-40X | 145 | 138 |
| | 85(min80) | (min50) | GSPW1656JTE-40Y | 121 | 115 |
| | 95(min90) | (min95) | GSPW1656JTE-40Z | 94 | 89 |
| 5000 | 70 | - | GSPW1646JTE-50X | 157 | 150 |
| | 85(min80) | (min50) | GSPW1656JTE-50Y | 121 | 115 |
| | 95(min90) | (min95) | GSPW1656JTE-50Z | 100 | 94 |
| 6500 | 70 | - | GSPW1643JTE-65X | 150 | 143 |

6J series Luminous Flux Rank

Ta25°C moment lighting @ 350mA

| | 光束 | FG | FH | FJ | GA | GB | GC | GD | GE | GF | GG |
|-----|-----|-------|-------|--------|---------|---------|---------|---------|---------|---------|---------|
| | TYP | 70-80 | 80-90 | 90-100 | 100-110 | 110-120 | 120-130 | 130-140 | 140-150 | 150-160 | 150-170 |
| 27X | 135 | | | | | | | ☆ | | | |
| 30X | 140 | | | | | | | | ☆ | | |
| 40X | 145 | | | | | | | | ☆ | | |
| 50X | 157 | | | | | | | | | ☆ | |
| 65X | 150 | | | | | | | | | ☆ | |

| | | | | | | | | | | | |
|-----|-----|--|---|--|---|---|---|--|--|--|--|
| 20Y | 85 | | ☆ | | | | | | | | |
| 24Y | 100 | | | | ☆ | | | | | | |
| 27Y | 105 | | | | ☆ | | | | | | |
| 30Y | 110 | | | | | ☆ | | | | | |
| 40Y | 121 | | | | | | ☆ | | | | |
| 50Y | 121 | | | | | | ☆ | | | | |

| | | | | | | | | | | | |
|-----|-----|--|---|---|---|--|--|--|--|--|--|
| 27Z | 85 | | ☆ | | | | | | | | |
| 30Z | 88 | | ☆ | | | | | | | | |
| 40Z | 94 | | | ☆ | | | | | | | |
| 50Z | 100 | | | | ☆ | | | | | | |

Vf
Rank

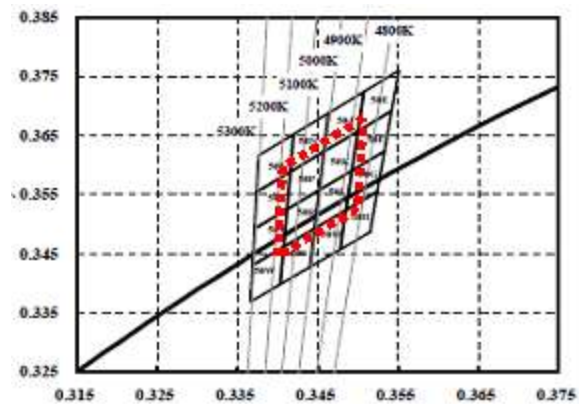
A
2.75~3.00V

B
3.00~3.25V

C
3.25~3.50V

Chromaticity
Rank

Comply to ANSI 4/16
(MacAdam-STEP3相当)



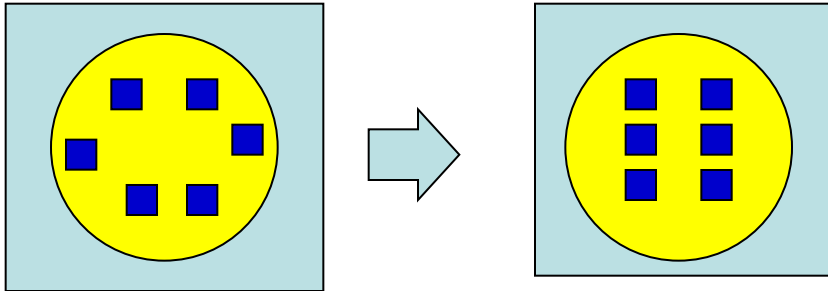
6J series Chip position

3J series

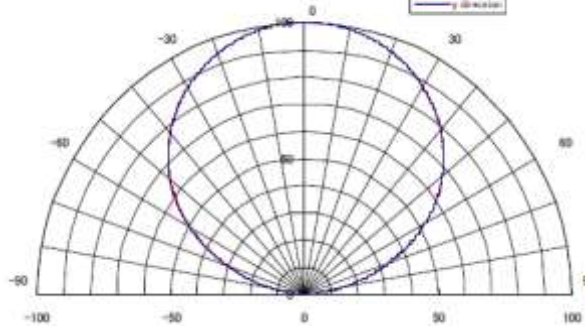
6J series

RAY-DATA

2011 wk35 August



指向特性/Spatial Distribution Example
条件/Condition: $T_a=25^{\circ}\text{C}$, $I_F=3.59\text{mA}$



指向特性/Spatial Distribution Example
条件/Condition: $T_a=25^{\circ}\text{C}$, $I_F=3.59\text{mA}$

