




### Product Parameters:

- \* Product Name: Led Lens
- \* Part Number : KB-SL40-XP
- \* Product Size : L18 \* W10\* H 7.5mm
  
- \* Beam Angle : 90\*120 degree
- \* Material : Lens-PC  
Holder-N/A
- \* Holder Color : N/A
- \* Tolerance: ±0.1mm
- \* Operating Temperature : -40 ~ 90℃
- \* Lens Light Efficiency : 90%
- \* Assembly : Pins/Glue
- \* Match Led : Cree Xlamp XPC | XPE|XPG|XTE   
Seoul Z5   
Samsung Ceramic 3535 



- \* Direction for use
  - 1, Please use some soft paper or pure water to clean lens ( reflector)
  - 2, Don't use any industrial solvent to clean lens surface , such as alcohol
  - 3, Storage environment : Temperature 0~40℃ , Humidity 30%~95%
  - 4, This kind of lens can make the lighting more concentrated, and it's made from transparent material , so please do not open the packages until you use them, in case of the dust and other pollutions.

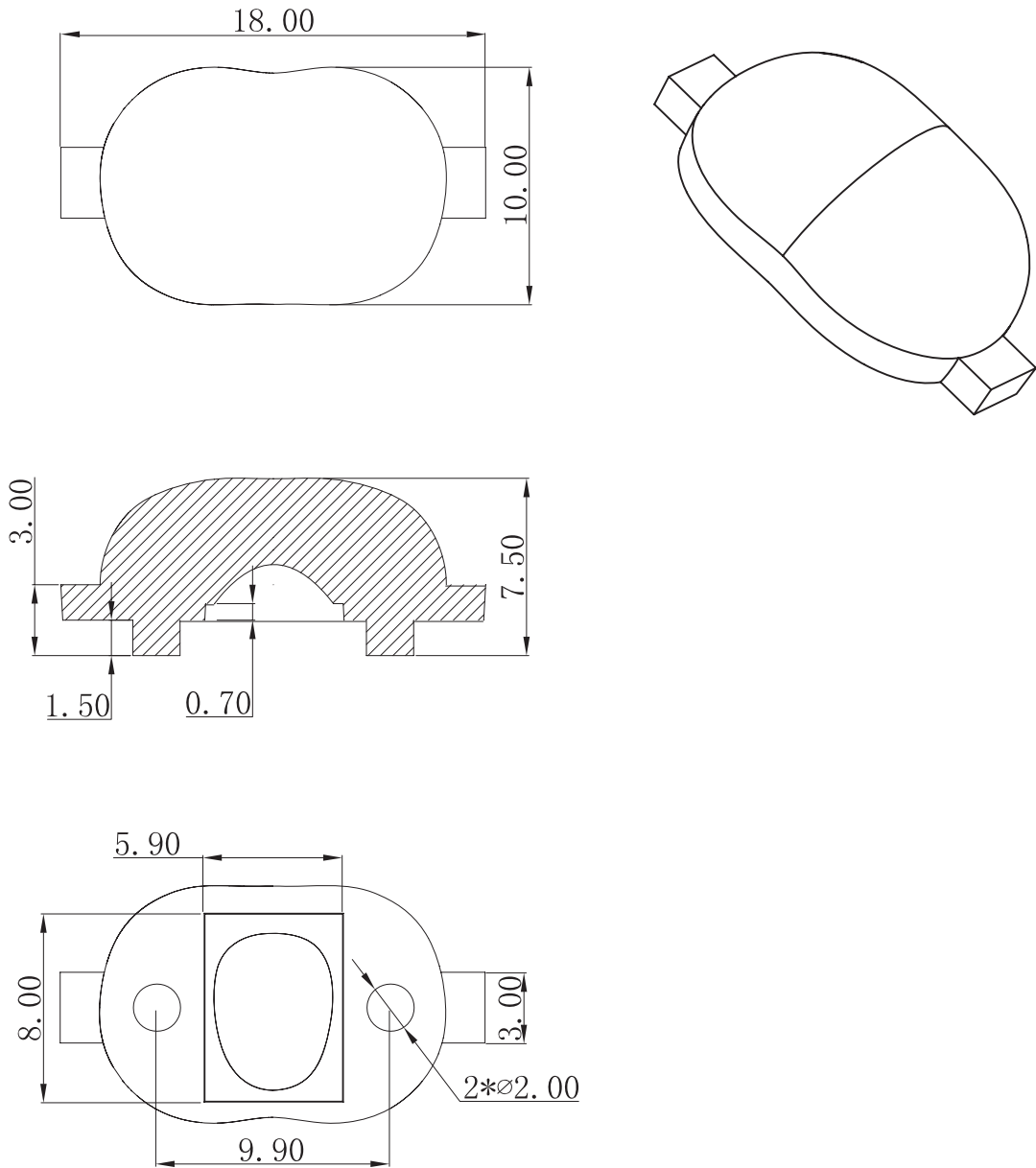
### Product Package:



### Single lens

1000pcs/inner box  
20boxes/carton  
G.W/Ctn: 17KG  
Ctn Size: 62.5\*29\*26cm

**Mechanical Characteristics:**



scale: 1:1

unit: mm