

### Product Parameters:

- \* Product Name: Led Lens
- \* Part Number : KB-H22-15MF-XP
- \* Product Size :  $\Phi 22 * H 11.55\text{mm}$
  
- \* Beam Angle : 15 degree(half angle)
- \* Material : Lens-PMMA  
Holder-PC
- \* Holder Color : White
- \* Tolerance:  $\pm 0.15\text{mm}$
- \* Operating Temperature :  $-40 \sim 90^{\circ}\text{C}$
- \* Lens Light Efficiency : 86~88%
- \* Assembly : Glue | Tape|Screw
- \* Match Led : Cree Xlamp XPC| XPE|XPG   
Seoul Z5   
Samsung Ceramic 3535 



### \* Direction for use

- 1, Please use some soft paper or pure water to clean lens ( reflector)
- 2, Don't use any industrial solvent to clean lens surface , such as alcohol
- 3, Storage environment : Temperature  $0\sim 40^{\circ}\text{C}$  , Humidity 30%~95%
- 4, This kind of lens can make the lighting more concentrated, and it's made from transparent material , so please do not open the packages until you use them, in case of the dust and other pollutions.

### Product Package:

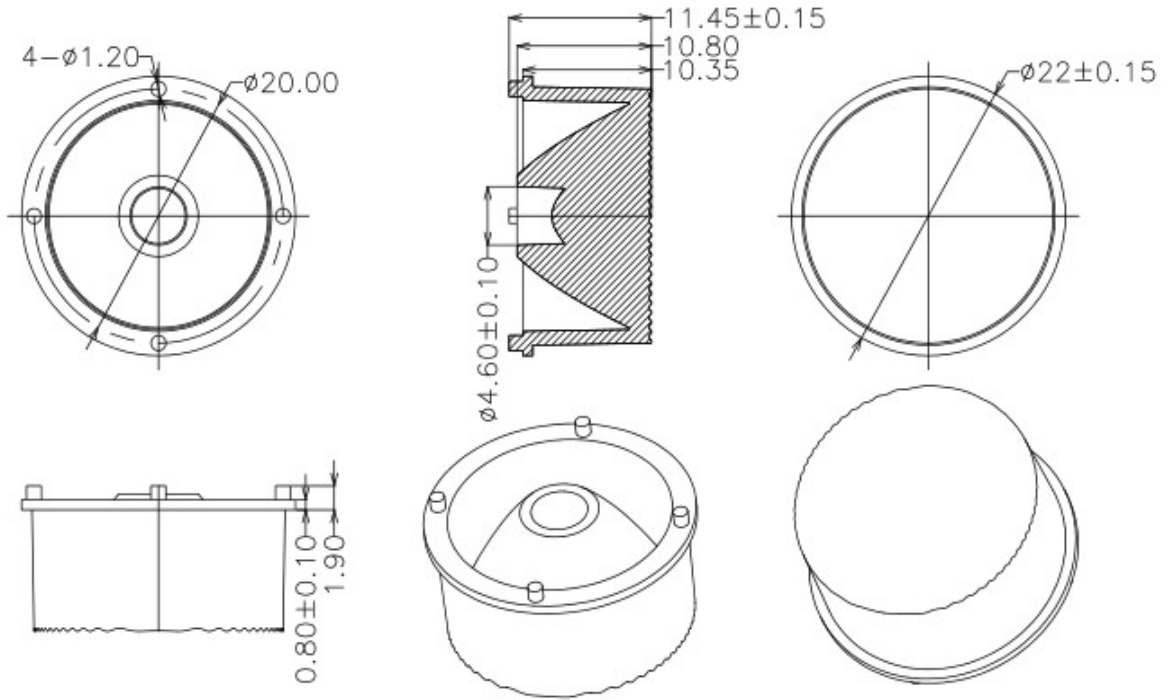


### Single lens

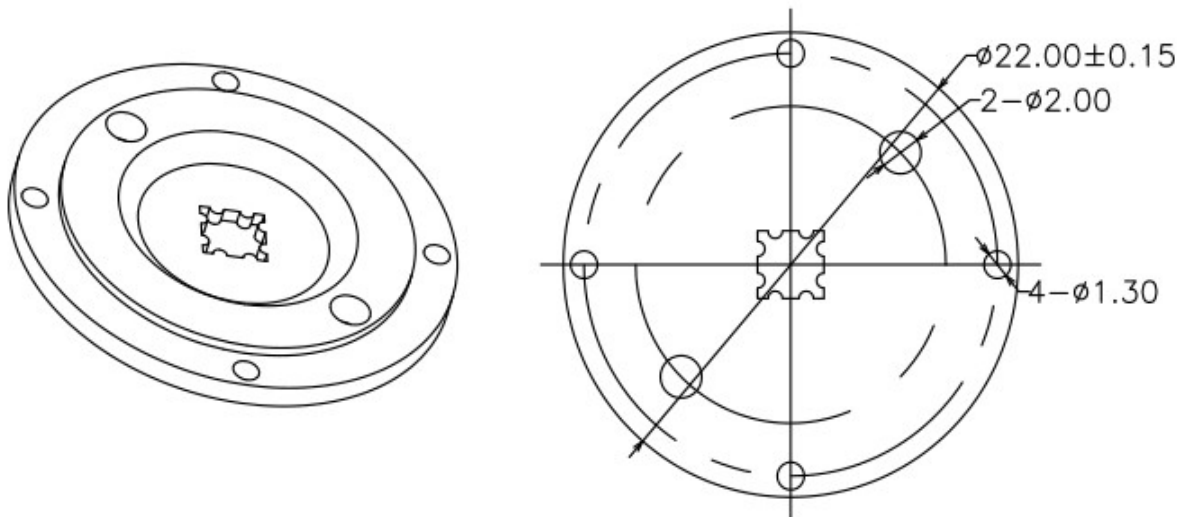
- 200pcs/box
- 20boxes(4000pcs)/carton
- G.W/Ctn: 16KG
- Ctn Size: 62.5\*29\*26cm

**Mechanical Characteristics:**

Lens:



Holder:



Unit: mm

Tolerance:  $\pm 0.15$ mm