

SPECIFICATION FOR APPROVAL

承 認 書

Description : Dynamic Telephone Receiver

Kingstate Part No. : KDRG057016A

Customer's Model No. : _____

Specification No. : DOD-8553

Number Of The Edition : 1.2

CUSTOMER'S APPROVED SIGNATURE

--	--	--

志豐電子股份有限公司 KINGSTATE ELECTRONICS CORP.



Address: 10F, No. 69-11, Sec. 2, Chung Cheng E. Rd., Tamshui County, Taipei Hsien, Taiwan, R.O.C.

International sales dept.: TEL : 886-2-2809-5651 FAX:886-2-2809-7151

Domestic sales dept.: TEL : 886-2-2809-0668 FAX:886-2-28096748

[http : //www.kingstate.com.tw](http://www.kingstate.com.tw)

Approved by	Checked by	Issued by

A. SCOPE 範疇

This specification applies receiver, **KDRG057016A**

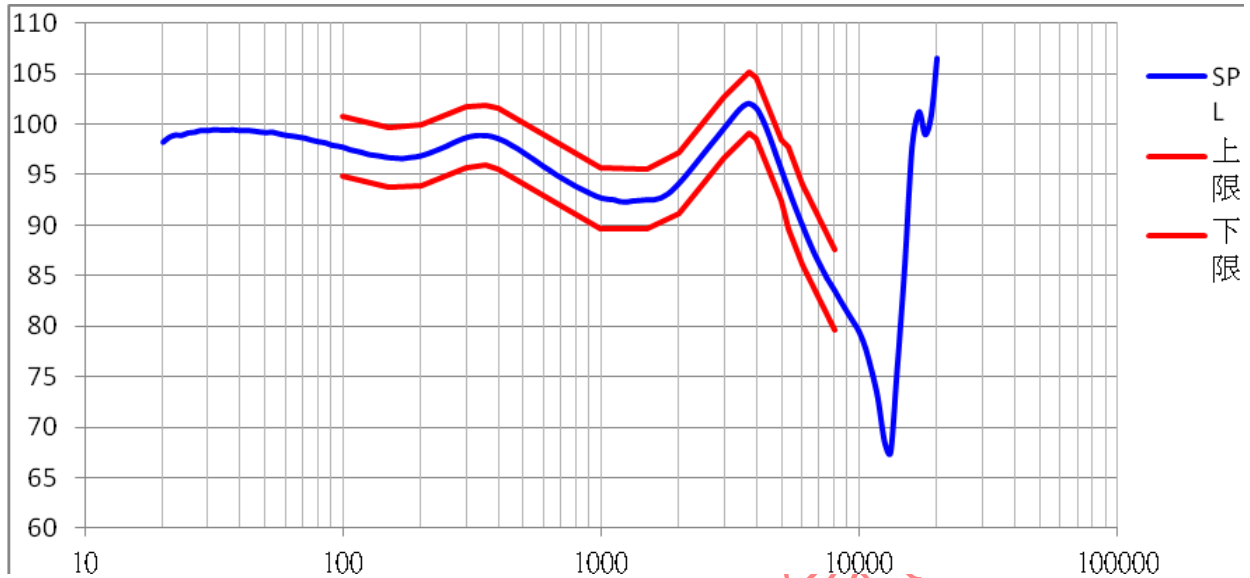
此規格書適用於受話器, **KDRG057016A**

B. SPECIFICATION 規格

No.	Item	Symbol	Unit	Specification	Condition
1	Dimension 尺寸		mm	ϕ 5.7 x 4.0	Refer to attached drawing in details
2	Rated power 額定功率		mW	3	Rated Power:IEC-60268-5 Filter 60s On/120s Off 3 Cycles (Room TEMP.)
3	Max. Input Power 最大輸入功率		mW	5	Maximum Power:IEC-60268-5 Filter 60s On/120s Off 10 Cycles (Room TEMP.)
4	Impedance 阻抗	Ω	ohm	$16 \pm 15\%$	At 1.5kHz
5	Insulation Impedance 絕緣阻抗		M Ω	10	At 100 V D.C. between the terminal and receiver basket
6	S.P.L. 音壓位準		dB	92.7 ± 3	At 1.0KHz 126mV with IEC318 Coupler(SPL 須分檔: A 檔:95.7~93.7dB(含 93.7dB)為正極 紅點 B 檔:93.7~91.7dB(含 91.7dB)為正極 藍點 C 檔:91.7~89.7dB 為正極黑點
7	Frequency Range 有效頻寬		Hz	100~10K	
8	Distortion 失真		%	$\leq 3\%$	126mV at1KHz
9	Operating temp. 操作溫度		$^{\circ}\text{C}$	-20~+55	
10	Buzze & Rattle 異常音				Not be audible at 0.22V sine wave between 300Hz ~ 4.0KHz 輸入 0.22V 正弦波從 300Hz 到 4.0KHz 之間無異常音.
11	Weight 重量		g	0.35	
12	Material 材質			Metal	
13	Environmental Protection Regulation 環保法規			HSF+REACH	

C. TYPICAL FREQUENCY RESPONSE CURVE 頻率響應曲線 必測項

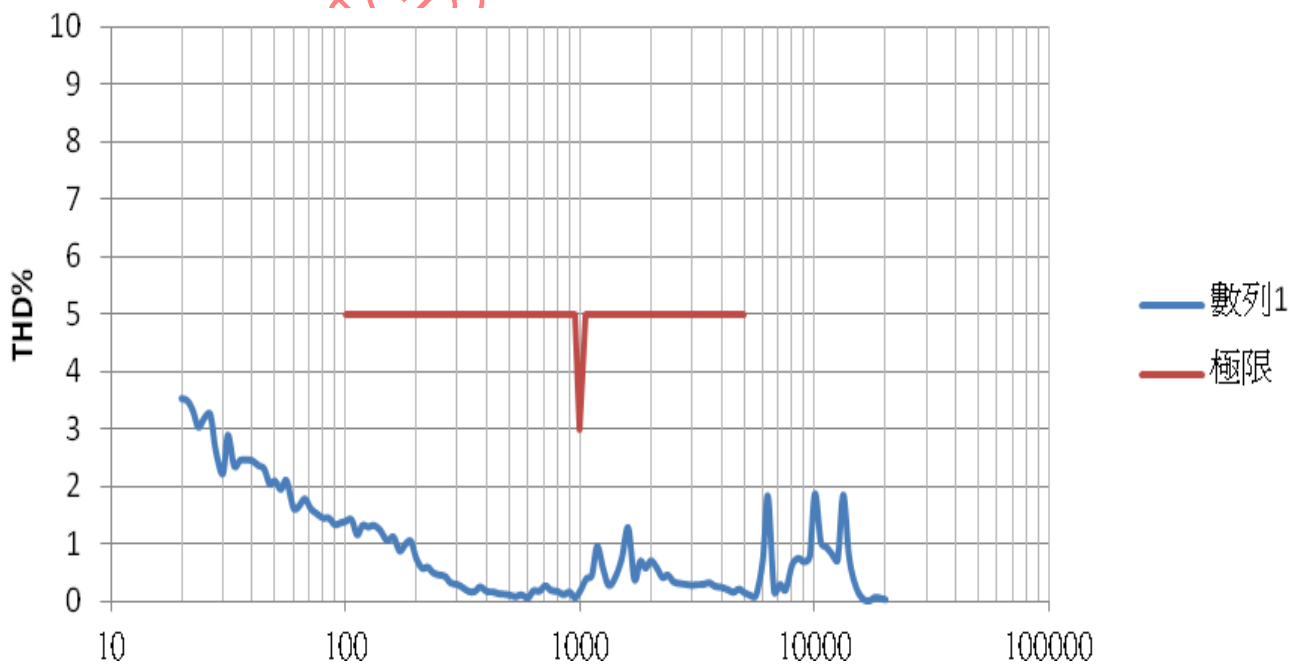
1)



NOTE: The mask is movable about the Y-axis. The following chart gives the upper and lower limits of the mask relative to the reference point at 1kHz

頻率	100	150	200	300	355	400	1000	1500	2000	3000	3750	4000	5000	5300	6000	8000
上限 (DB)	+8.1	+7	+7.2	+9	+9.2	+8.9	+3	+2.9	+4.5	+10	+12.4	+11.9	+5.7	+5	+1.4	-5.1
下限 (DB)	+2.1	+1	+1.2	+3	+3.2	+2.9	-3	-3.1	-1.5	+4	+6.4	+5.9	-0.3	-1	-4.6	-11.1

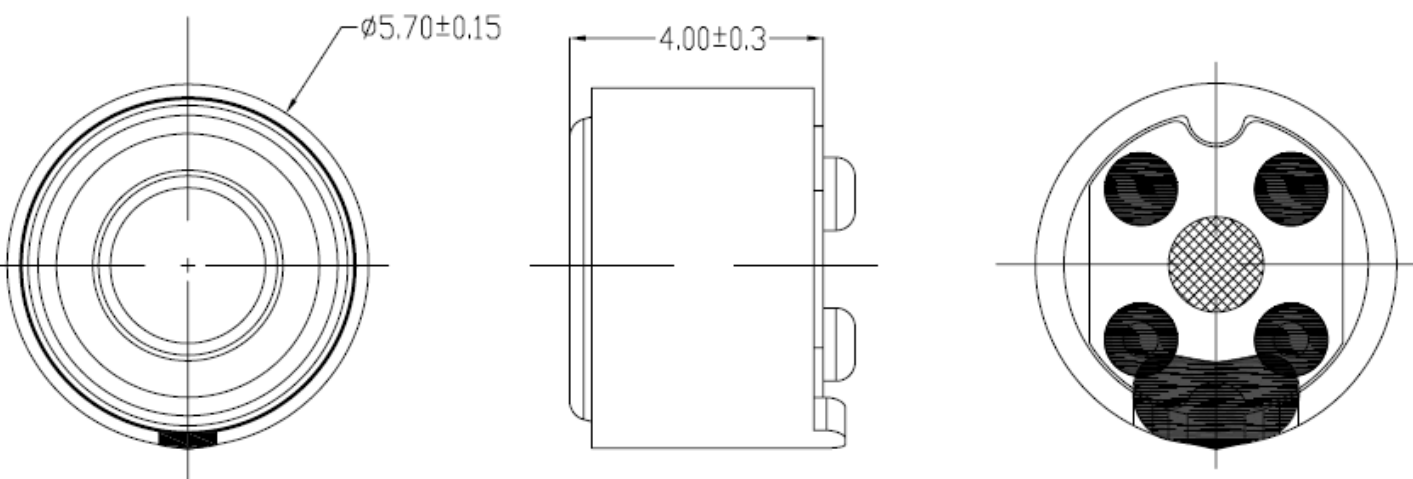
2) Distortion 必測項



頻率 (Hz)	100	950	1000	1060	5000
失真上限%	5%	5%	3%	5%	5%

D. APPEARANCE DRAWING 外觀尺寸

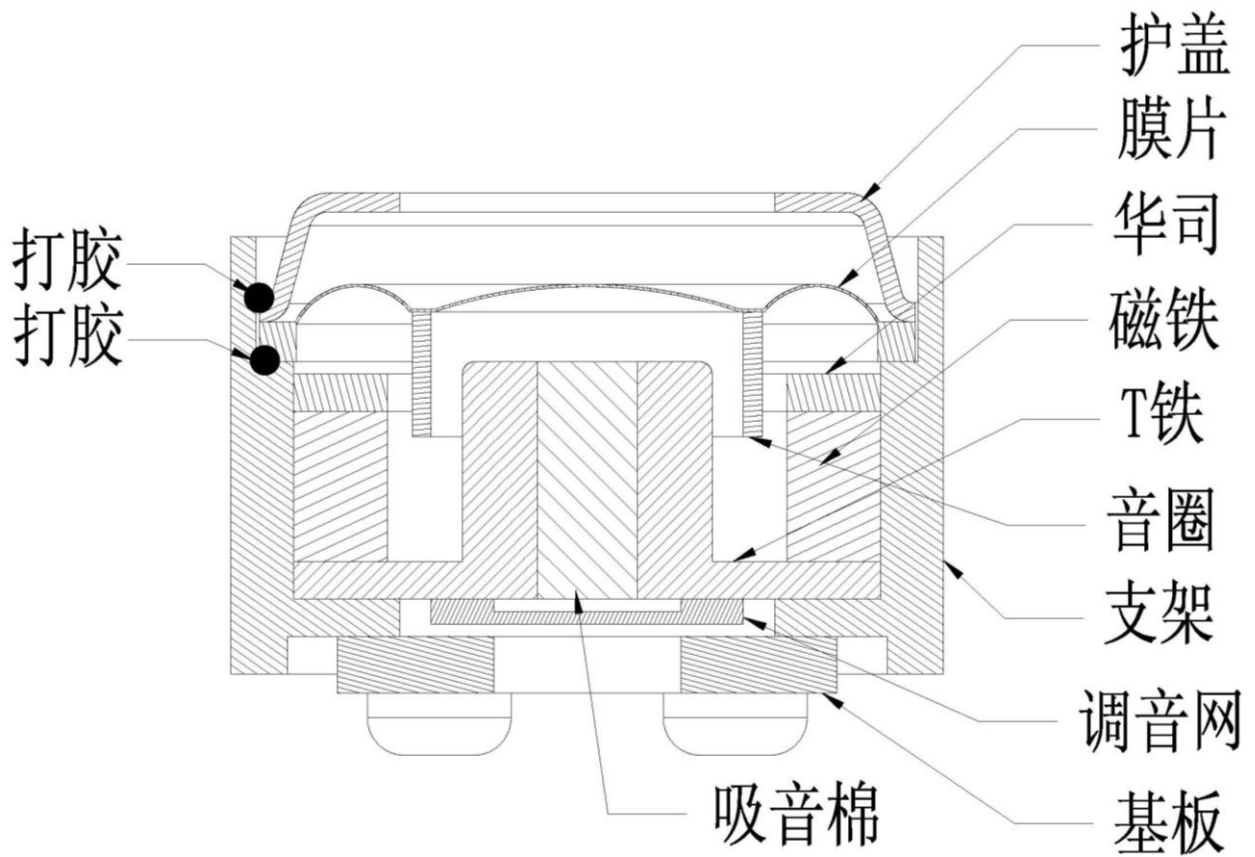
1)



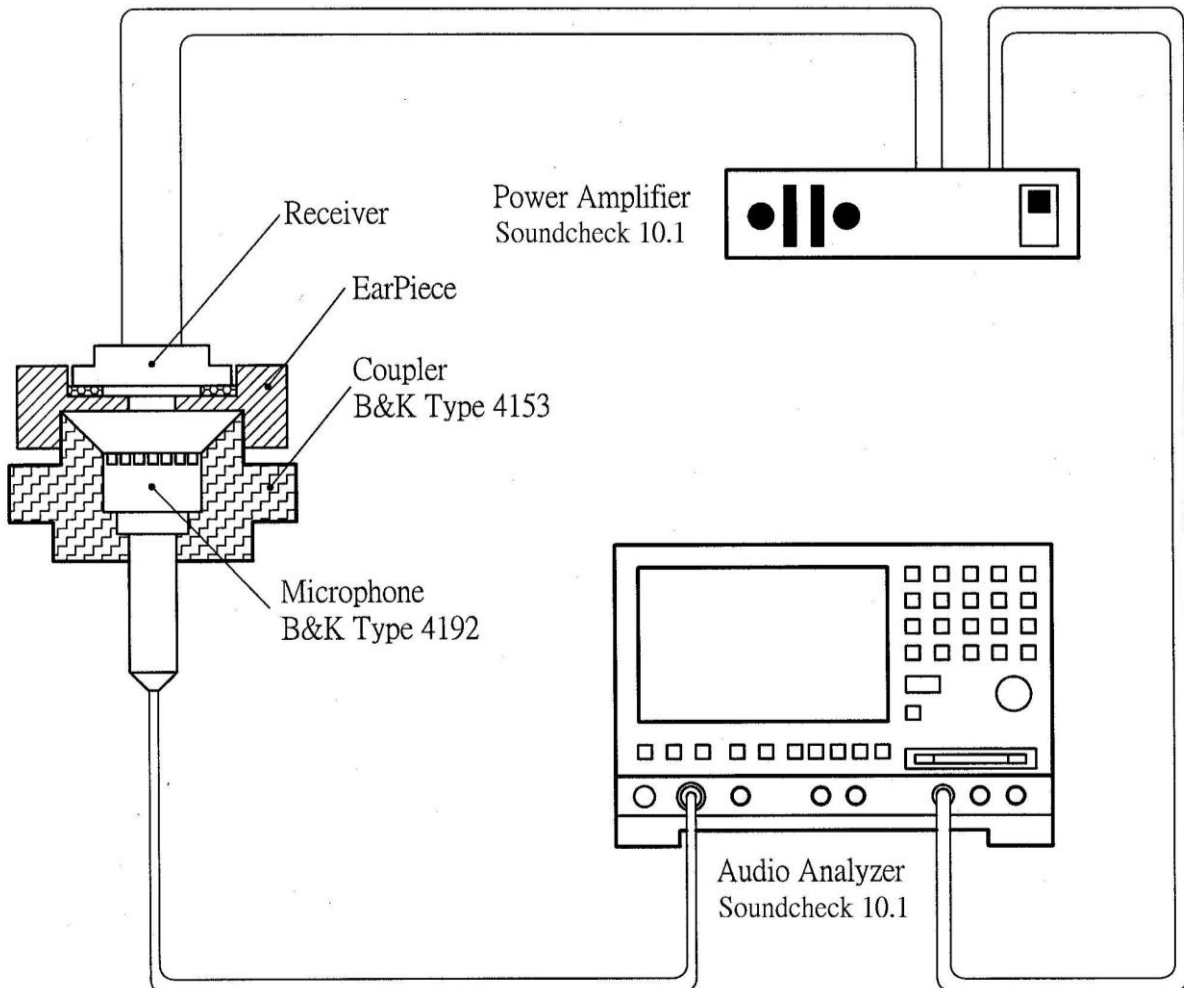
Tol: ± 0.2 Unit: mm

Preliminary

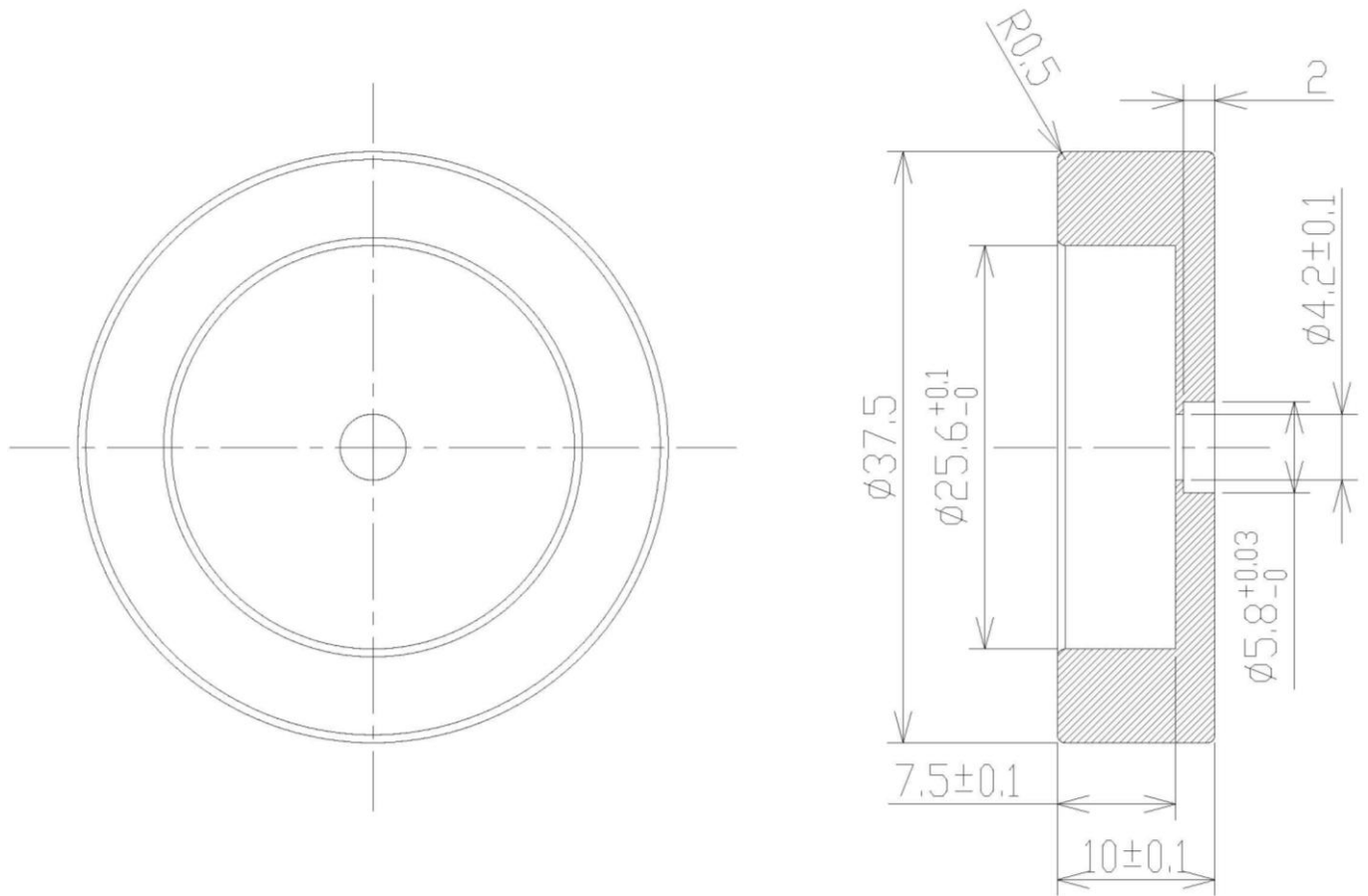
2) Attention Item 注意事項



E. MEASUREMENT METHOD 測量路線



Receiver 測試治具



Tol: ± 0.2 Unit: mm

F. ENVIRONMENT TEST 環境測試

No.	Item	Test conditions	Evaluation standard
1	High temp. Test 高溫測試	After being placed in a chamber at +60°C for 178 hours 置於+60°C環境中 178 小時	Being placed for 6 hours at +25°C, speaker shall be measured. No obstacle to be harmful to normal operation; damages, cracks, rusts, etc. Should not be audible at 0.22V sine wave between 300Hz ~ 4.0KHz. inputting 126 mv S.P.L deviation of unit should be within ±3dB 經測試後，靜置於+25°C (室溫)環境中 6 小時後，測試後無任何障礙防礙正常操作。且在輸入 0.22V 正弦波從 300Hz 到 4.0KHz 之間無異常音。輸入 126mv 輸出音壓變化量在±3dB 內。
2	Low temp. Test 低溫測試	After being placed in a chamber at -10°C for 178 hours. 置於-10°C環境中 178 小時	
3	Humidity test 相對濕度測試	After being placed in a chamber at +40°C and 95±5% RH relative humidity for 178 hours. 置於+40°C，相對濕度 95±5%環境中 178 小時	
4	Thermal shock test 溫度沖擊	After carrying out six cycle test(one cycle=conditioning of the headphone at -20°C for one hour and then at 60°C for one hour).leave it at the normal temperature for one hour and make the measurement. 單體承受溫度循環測試 6 周期，其循環內容為：先在-20°C下放置一個小時，然后再 60°C下放置一個小時。	

G. RELIABILITY TEST 信賴性測試

No.	Item	Test conditions	Evaluation standard
1	Load test 連續負荷	3mw pink noise is applied for 96hours, at room temp. 在室溫下,輸入功率 3mw, 粉雜音連續操作 96 小時.	Being placed for 1 hours at +25°C, receiver shall be measured. No obstacle to be harmful to normal operation; damages, cracks, rusts, etc. Should not be audible at 0.22V sine wave between 300Hz ~4.0KHz.inputting 126 mv S.P.L deviation of unit should be within ±3dB 經測試後, 靜置於+25°C (室溫) 環境中 1 小時後, 測試後無任何障礙防礙正常操作. 且在輸入 0.22V 正弦波從 300 到 4.0KHz 之間無異常音. 輸入 126mv 輸出音壓變化量在±3dB 內.
2	Transient Load Test 瞬態負荷	20mW Pink noise is applied one Min On ,Two Min Off, For 10 cycles, at 20°C temp. 在 20°C 下, 輸入 5mW 粉雜信号持续时间为 1min, 间隔为 2min, 重复 10 次,	

TEST CONDITION.

Standard Test Condition : a) Temperature : +5 ~ +35°C b) Humidity : 45-85% c) Pressure : 860-1060mbar
 一般測試條件 : a) 溫度 : +5 ~ +35°C b) 濕度 : 45-85% c) 氣壓 : 860-1060mbar
 Judgement Test Condition: a) Temperature : +25 ± 2°C b) Humidity : 60-70% c) Pressure : 860-1060mbar
 爭議時測試條件 : a) 溫度 : +25 ± 2°C b) 濕度 : 60-70% c) 氣壓 860-1060mbar

H. PACKING STANDARD 包裝規格

Each minimum package unit of products shall be in a carton box and it shall be clearly marked with Part Number, quantity and outgoing inspection number. There shall be no mechanical damage on products during transportation and/or in storage.

外箱須標示最小包裝單位, 並註明產品型號、數量及檢驗批號., 必須是物品儲藏或運輸過程中可防止造成損傷的包裝.