

SPECIFICATION FOR APPROVAL

承 認 書

Description : Receiver

Kingstate Part No. : KDRG0612C-008

Customer's Model No. : _____

Specification No. : DOD-8479

Number Of The Edition : 1.1

CUSTOMER'S APPROVED SIGNATURE		



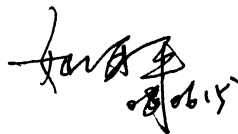


志豐電子股份有限公司 KINGSTATE ELECTRONICS CORP.

Address: 10F, No. 69-11, Sec. 2, Chung Cheng E. Rd., Tamshui County, Taipei Hsien, Taiwan, R.O.C.

International sales dept.: TEL : 886-2-2809-5651 FAX:886-2-2809-7151

Domestic sales dept.: TEL : 886-2-2809-0668 FAX:886-2-28096748

http : //www.kingstate.com.tw

Approved by	Checked by	Issued by
 08/06/15	 8/6	 8/5

A. SCOPE 範疇

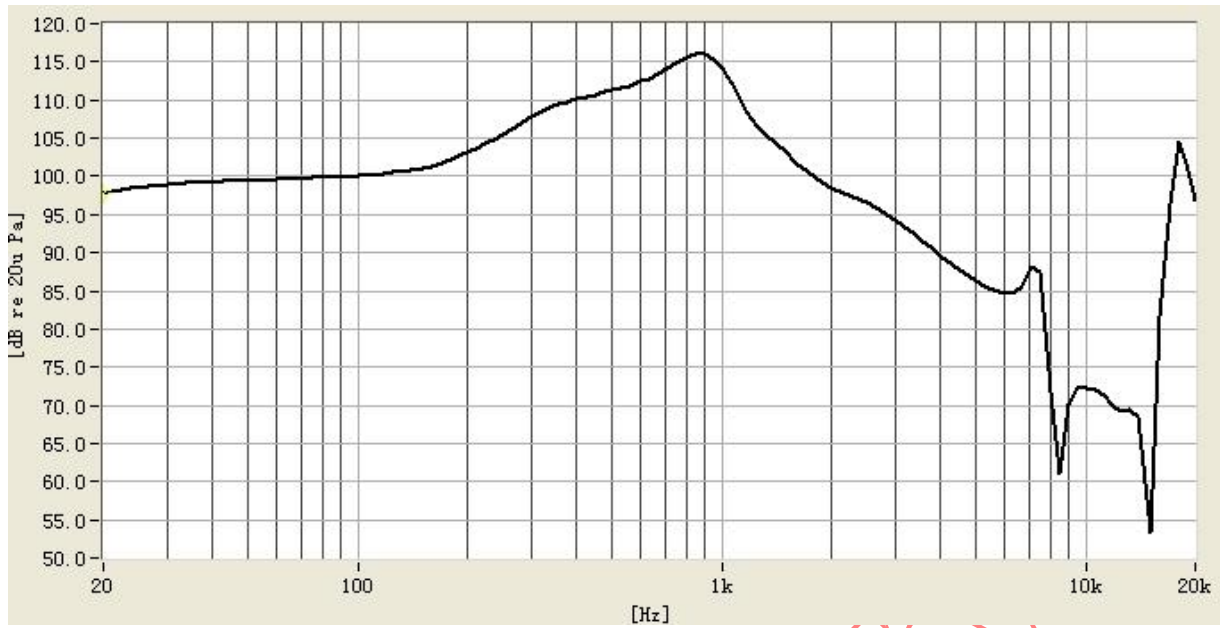
This specification applies receiver, **KDRG0612C-008**

此規格書適用於受話器, **KDRG0612C-008**

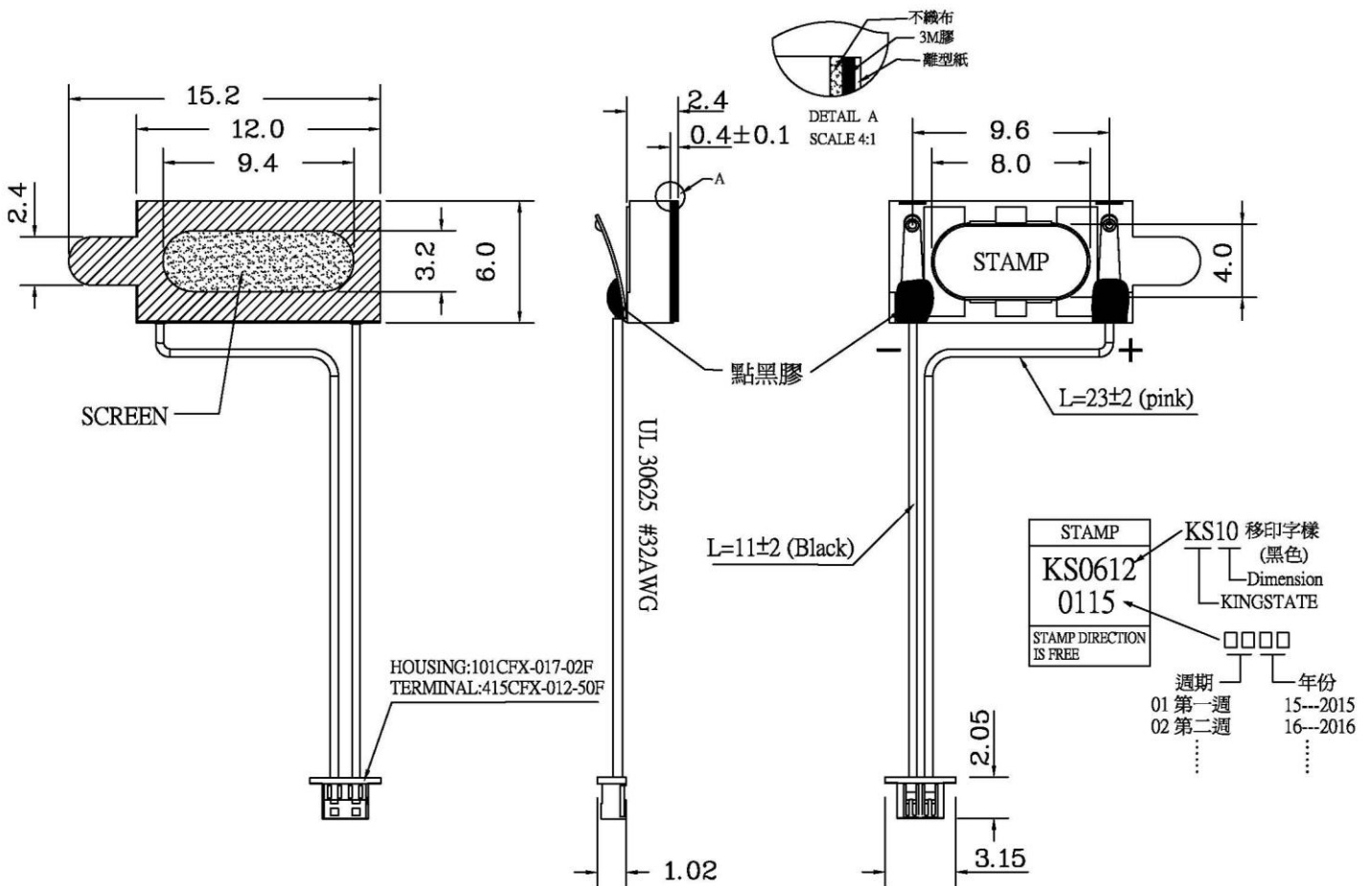
B. SPECIFICATION 規格

No.	Item	Symbol	Unit	Specification	Condition
1	Dimension 尺寸		mm	L12.0 x W6.0 x H2.4	Refer to attached drawing in details
2	Rated Power 額定功率		W	0.1	White noise
3	Max. Input Power 最大輸入功率		W	0.15	Maximum Power:IEC-60268-5 Filter 60s On/120s Off 10 Cycles(Room TEMP)
4	Impedance 阻抗	Ω	ohm	$8 \pm 15\%$	At 1.0kHz
5	Insulation Resistance 絕緣阻抗		M Ω	10	At 100 V D.C. between the terminal and receiver basket
6	S.P.L. 音壓位準		dB	114 ± 3	At 1KHz 89mV with IEC318 Coupler
7	Frequency Rang 有效頻寬		Hz	300~2.0K	
8	Distortion 失真		%	Max10%	At 1.0KHz 89mV
9	Operating temp. 操作溫度		$^{\circ}\text{C}$	-25~+55	
10	Storage temp 存儲溫度		$^{\circ}\text{C}$	-25~+60	
11	Buzze & Rattle 異常音				Not be audible at 895mV sine wave between 300Hz ~ 2KHz 輸入 895mV 正弦波從 300Hz 到 2KHz 之間無異常音。
12	Weight 重量		g	0.375	
13	Environmental Protection Regulation 環保法規			HSF	

C. TYPICAL FREQUENCY RESPONSE CURVE 頻率響應曲線

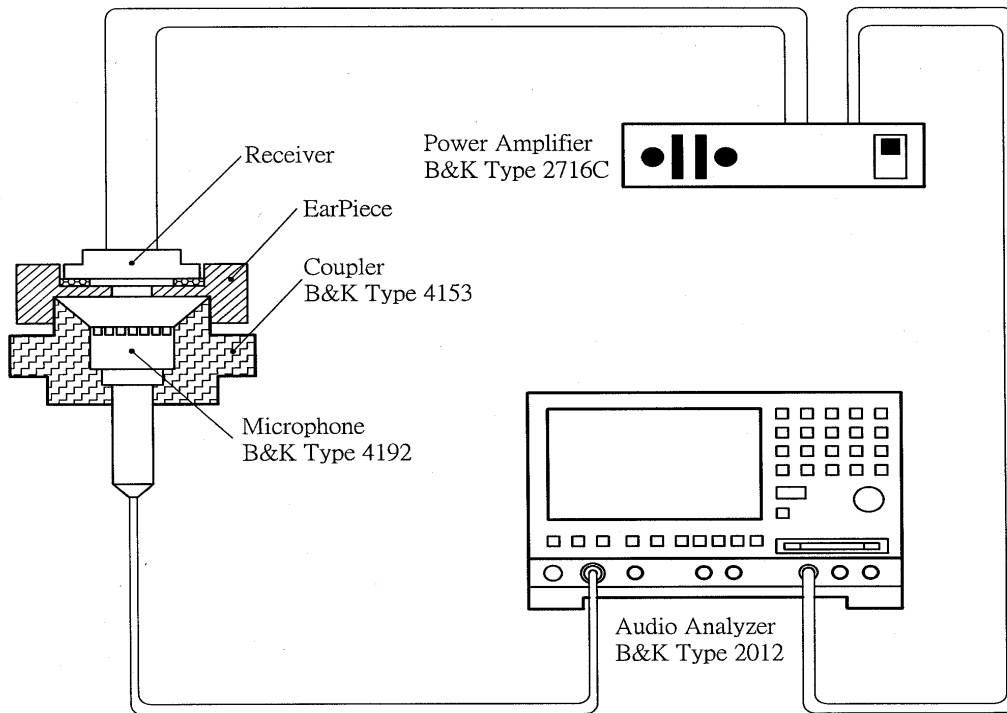


D. APPEARANCE DRAWING 外觀尺寸圖

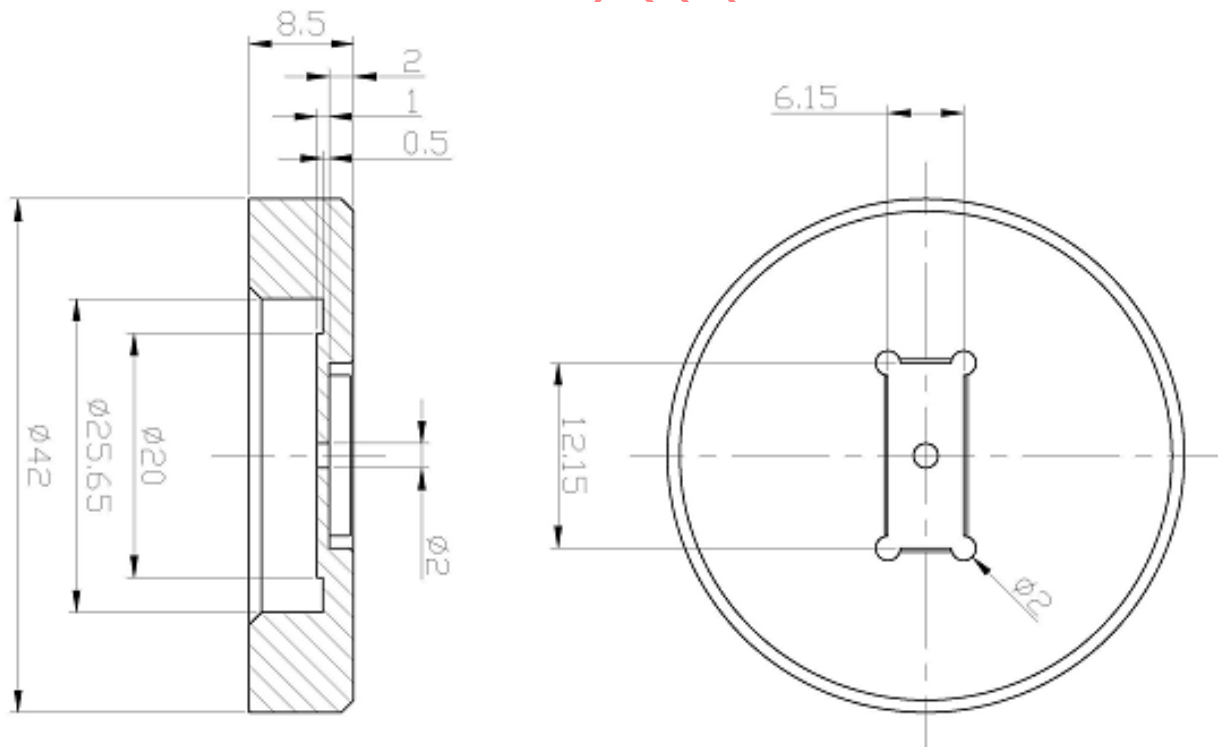


Tol: ± 0.2
Unit: mm

E. MEASUREMENT METHOD 測量路線



Receiver 測試治具

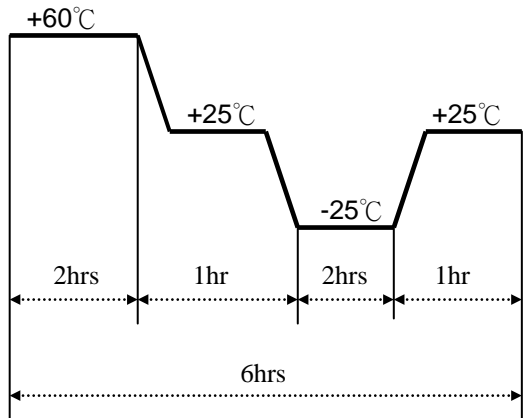


Tol: ± 0.1 Unit: mm

F. MECHANICAL CHARACTERISTICS 機械特性

No.	Item	Test conditions	Evaluation standard
1	PCB Wire Pull Strength PCB 線材拉力	The pull force shall be applied to double lead wire : Horizontal 3.0N(0.306kg) for 30 seconds. 雙線材水平方向施以 3.0N(0.306kg)的力量,30 秒.	No damage and cutting off. 不鬆動,不脫落.
2	Vibration test 振動測試	Receiver shall be measured after being applied vibration of amplitude of 1.5mm with 10 to 55hz band of vibration frequency to each of 3 per-pendicular directions for 2 hours. 振動週波數 10~55HZ、全振幅 1.5mm 於 X.Y.Z 3 個方向,各 2 小時.	No obstacle to be harmful to normal operation; damages, cracks, rusts and distortions. Should not be audible at 895mV sine wave Between 300HZ ~ 2KHz
3	Drop test 落下測試	Drop the receiver contained in normal box onto the board 40mm thick 10 times from the height of 75cm 將受話器置於盒中,自 75 公分高度落在 40mm 木板上共 10 次.	測試後無任何障礙妨礙正常操作.且在輸入 895mV 正弦波從 300Hz 到 2KHz 之間無異常音.

G. ENVIRONMENT TEST 環境測試

No.	Item	Test conditions	Evaluation standard
1	High temp. Test 高溫測試	After being placed in a chamber at +60°C for 96hours 置於+60°C環境 96 小時	Being placed for 6 hours at +25°C, receiver shall be measured. No obstacle to be harmful to normal operation; damages, cracks, rusts, etc. Should not be audible at 895mV, sine wave between 300Hz~2KHz. inputting 89mV S.P.L. deviation of unit should be within ±3dB 經測試後,靜置於+25°C (室溫)環境中 6 小時後,測試後無任何障礙妨礙正常操作.且在輸入 895mV 正弦波從 300Hz 到 2KHz 之間無異常音,輸入 89mV 輸出音壓變化量在 ±3dB 內.
2	Low temp. Test 低溫測試	After being placed in a chamber at -25°C for 96 hours. 置於-25°C環境中 96 小時	
3	Humidity test 相對濕度測試	After being placed in a chamber at +40°C and 90±5%RH relative humidity for 96 hours. 置於+40°C, 相對濕度 90±5%環境中 96 小時.	
4	Thermal cycle test 溫度循環測試	The part shall be subjected to 6 cycles. One cycle shall be consist of : 單體承受溫度循環測 6 次,其循環內容如圖示: 	

H. Recommended Temperature Profile For Hand Soldering 建議手焊溫度

Hand Soldering
370±10°C / 3±1 Sec

I. RELIABILITY TEST 信賴性測試

No.	Item	Test conditions	Evaluation standard
1	Load test 連續負荷	0.1W white noise is applied for 24 hours, at room temp. 在室溫下,輸入功率 0.1W, 白雜音連續操作 24 小時.	Being placed for 6 hours at +25°C, receiver shall be measured. No obstacle to be harmful to normal operation; damages, cracks, rusts, etc. Should not be audible at 895mV, sine wave between 300Hz~2KHz. inputting 89mV S.P.L. deviation of unit should be within ±3dB 經測試後, 靜置於+25°C (室溫) 環境中 6 小時後, 測試後無任何障礙妨礙正常操作. 且在輸入 895mV 正弦波從 300Hz 到 2KHz 之間無異常音, 輸入 89mV 輸出音壓變化量在 ±3dB 內.

TEST CONDITION.

Standard Test Condition : a) Temperature : +5 ~ +35°C b) Humidity : 45-85% c) Pressure : 850-1050mbar
 一般測試條件 : a) 溫度 : +5 ~ +35°C b) 濕度 : 45-85% c) 氣壓 : 850-1050mbar
 Judgement Test Condition : a) Temperature : +25 ± 2°C b) Humidity : 50-70% c) Pressure : 850-1050mbar
 爭議時測試條件 : a) 溫度 : +25 ± 2°C b) 濕度 : 50-70% c) 氣壓 : 850-1050mbar

J. CKING STANDARD 包裝規格

Each minimum package unit of products shall be in a carton box and it shall be clearly marked with Part Number, quantity and outgoing inspection number. There shall be no mechanical damage on products during transportation and/or in storage.

外箱須標示最小包裝單位, 並註明產品型號、數量及檢驗批號., 必須是物品儲藏或運輸過程中可防止造成損傷的包裝.