

SPECIFICATION FOR APPROVAL

承 認 書

Description : Dynamic Telephone Receiver

Kingstate Part No. : KDRG14032-3

Customer's Model No. : _____

Specification No. : POD-7527

Number Of The Edition : 1.1

CUSTOMER'S APPROVED SIGNATURE		



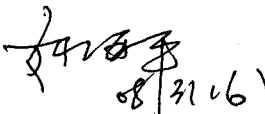
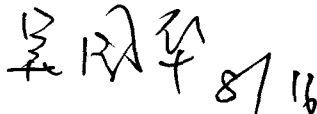
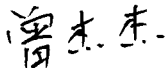
志豐電子股份有限公司 KINGSTATE ELECTRONICS CORP.

Address: 10F, No. 69-11, Sec. 2, Chung Cheng E. Rd., Tamshui County, Taipei Hsien, Taiwan, R.O.C.

International sales dept.: TEL : 886-2-2809-5651 FAX:886-2-2809-7151

Domestic sales dept.: TEL : 886-2-2809-0668 FAX:886-2-28096748

http : //www.kingstate.com.tw

Approved by	Checked by	Issued by
 8/31/16	 8/16	 2016. 8. 10

A. SCOPE 範疇

This specification applies receiver, **KDRG14032-3**

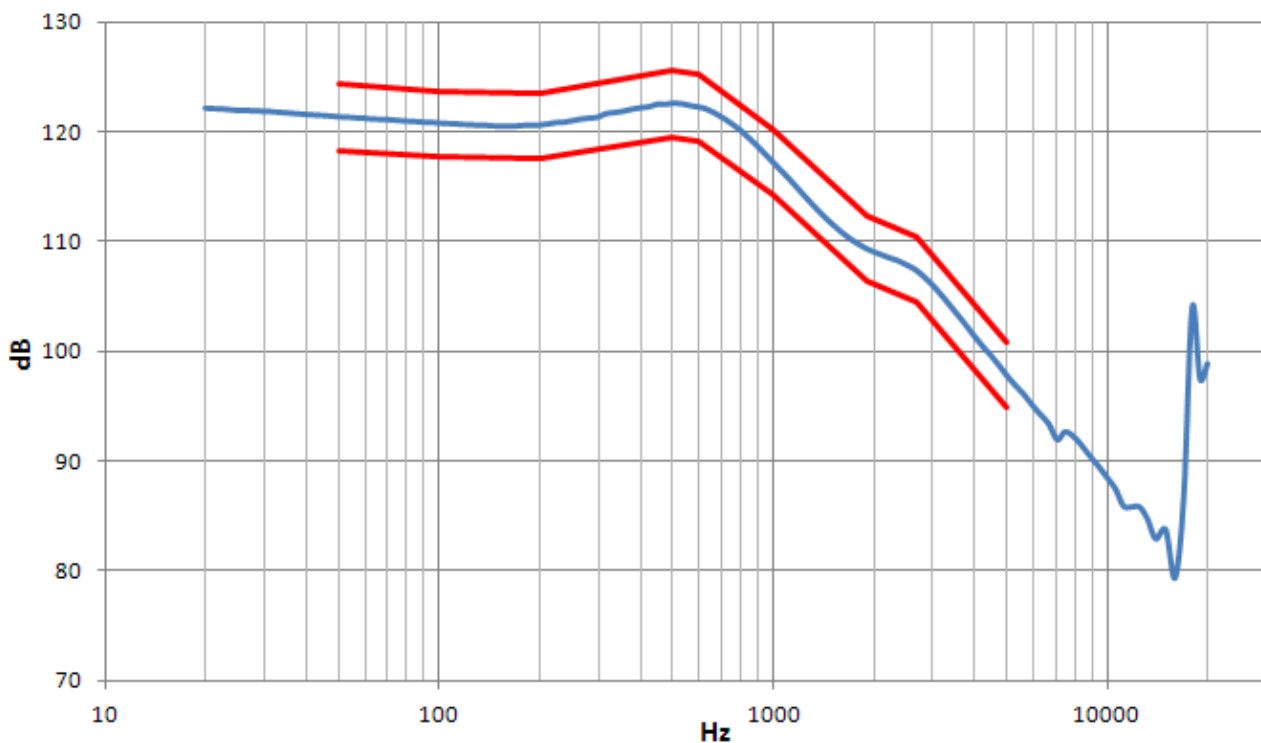
此規格書適用於受話器, **KDRG14032-3**

B. SPECIFICATION 規格

No.	Item	Symbol	Unit	Specification	Condition
1	Dimension 尺寸		mm	ϕ 14.2 x 3.95	Refer to attached drawing in details
2	Rated Power 額定功率		mW	3	White noise
3	Max. Input Power 最大輸入功率		mW	15	Maximum Power:IEC-60268-5 Filter 60s On/120s Off 10 Cycles (Room TEMP.)
4	Impedance 阻抗	Ω	ohm	$29 \pm 10\%$	At 1.5kHz
5	Insulation Resistance 絕緣阻抗		M Ω	10	At 100 V D.C. between the terminal and receiver basket
6	S.P.L. 音壓位準		dB	117 ± 3	At 1.0KHz 179mV with IEC318 Coupler(SPL 須分檔: A 檔:114~116dB(含 116dB)為正極紅點 B 檔:116~118dB(含 118dB)為正極黑點 C 檔:118~120dB 為正極藍點
7	Frequency Range 有效頻寬		Hz	100~2K	
8	Distortion 失真		%	20~300Hz <5%; 400~500Hz <4%; 600~8000Hz <2%; 10K~20KHz <5%	179mV
9	Operating temp. 操作溫度		°C	-40~+80	
10	Buzze & Rattle 異常音				Not be audible at 310mV sine wave between 100~2KHz 輸入 310mV 正弦波從 100 到 2KHz 之 間無異常音
11	Weight 重量		g	1.1	
12	Material 材質			Metal	
13	Environmental Protection Regulation 環保法規			RoHS 2.0	

C. TYPICAL FREQUENCY RESPONSE CURVE 頻率響應曲線

1)

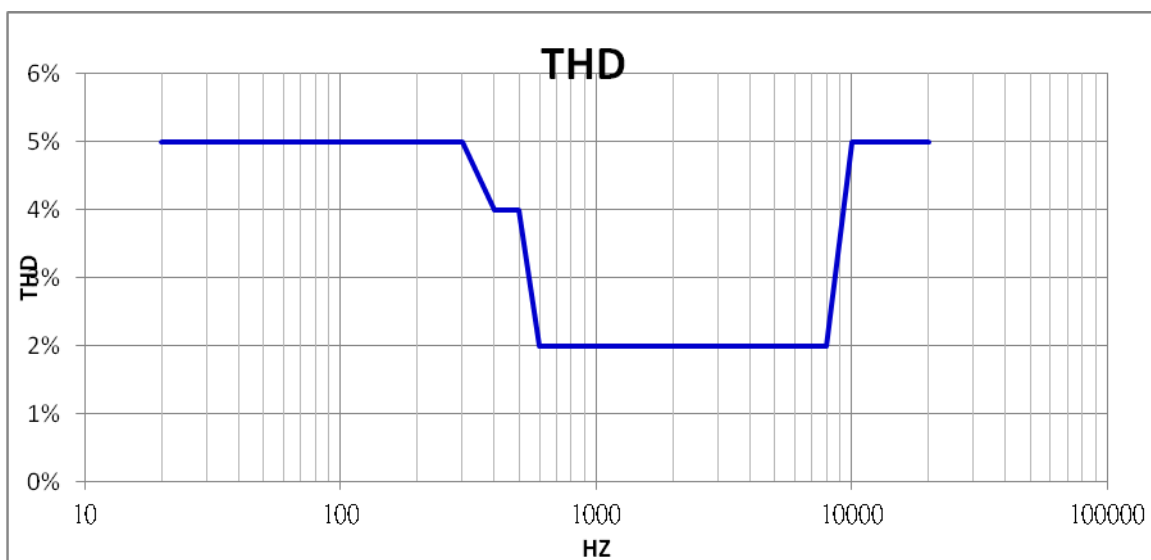


NOTE: The mask is movable about the Y-axis. The following chart gives the upper and lower limits of the mask relative to the reference point at 1kHz

頻率	50	100	200	500	600	1000	1900	3000	5000
上限/dB	+7	+7	+6	+8	+8	+3	-5	-8	-16
下限/dB	+1	+1	0	+2	+2	-3	-11	-14	-22

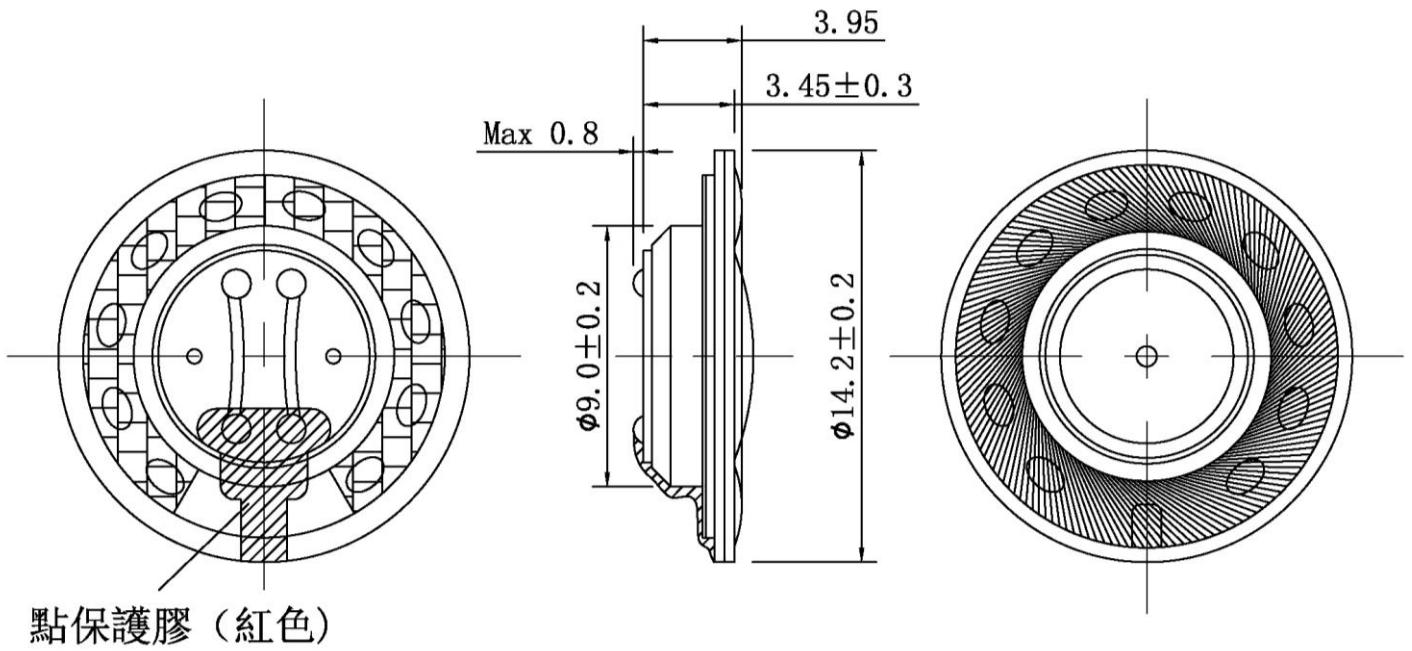
1kHz:117dB

2) Distortion



頻率 (Hz)	20-300	400-500	600-8000	10K-20K
失真上限%	5%	4%	2%	5%

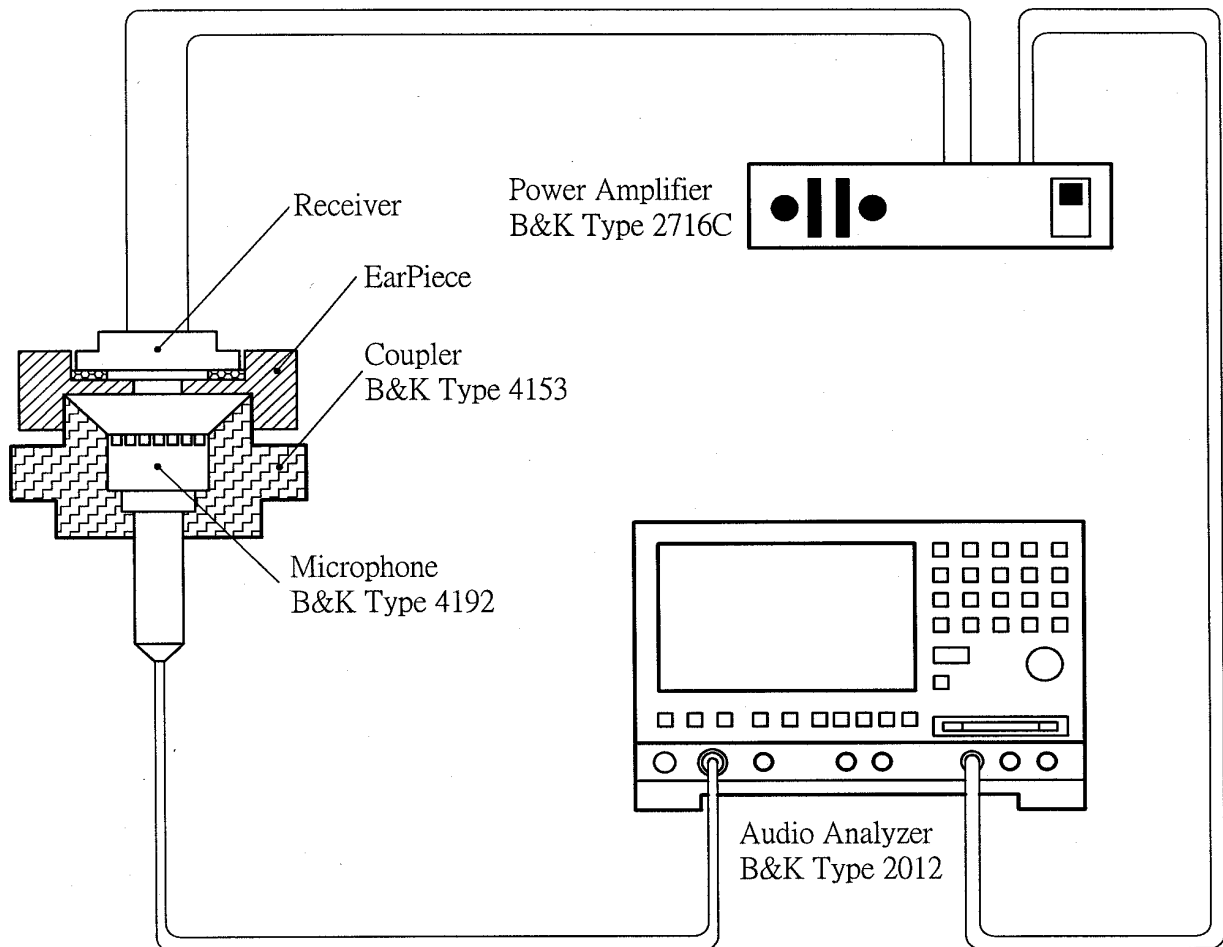
D. APPEARANCE DRAWING 外觀尺寸圖



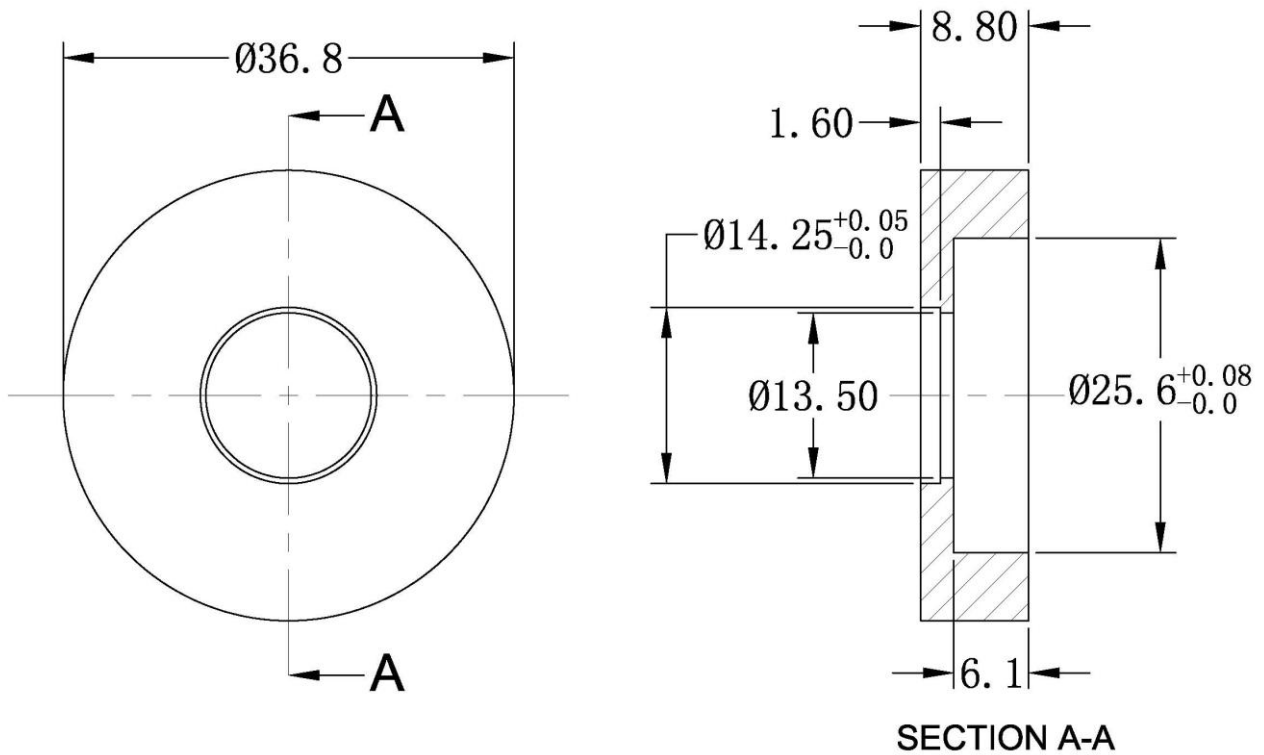
點保護膠 (紅色)

Tol: ± 0.3
Unit: mm

E. MEASUREMENT METHOD 測量路線



Receiver 測試治具

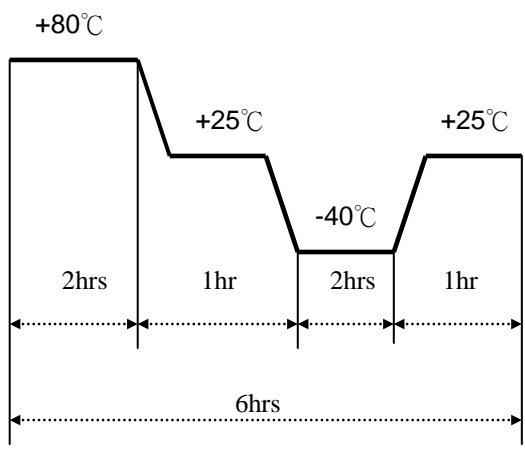


Tol: ± 0.2
Unit: mm

F. MECHANICAL CHARACTERISTICS 機械特性

1	PCB Wire Pull Strength PCB 線材拉力	The pull force shall be applied to double lead wire : Horizontal 3.0N(0.306kg) for 30 seconds. 雙線材水平方向施以 3.0N(0.306kg)的力量,30 秒.	No damage and cutting off. 不鬆動,不脫落.
2	Vibration Test 振動測試	Receiver shall be measured after being applied vibration of amplitude of 1.5mm with 10 to 55Hz band of vibration frequency to each of 3 per-pendicular directions for 2 hours. 振動週波數 10~55Hz、全振幅 1.5mm 於 X.Y.Z 3 個方向,各 2 小時.	No obstacle to be harmful to normal operation; damages, cracks, rusts and distortions. Should not be audible at 310mV sine wave
3	Drop Test 落下測試	Drop the receiver contained in normal box onto the board 40mm thick 10 times from the height of 75cm. 將受話器置於盒中,自 75 公分高度落在 40mm 木板上共 10 次.	Between 100HZ ~ 2.0KHz 測試後無任何障礙妨礙正常操作.且在輸入 310mV 正弦波從 100Hz 到 2.0KHz 之間無異常音.

G. ENVIRONMENT TEST 環境測試

No.	Item	Test conditions	Evaluation standard
1	High temp. Test 高溫測試	After being placed in a chamber at +80°C for 24 hours 置於+80°C環境 24 小時	Being placed for 6 hours at +25°C, receiver shall be measured. No obstacle to be harmful to normal operation; damages, cracks, rusts, etc. Should not be audible at 310mV, sine wave between 100Hz~2.0KHz. inputting 179mV S.P.L. deviation of unit should be within ±3dB 經測試後，靜置於+25°C (室溫) 環境中 6 小時後，測試後無任何障礙妨礙正常操作。且在輸入 310mV 正弦波從 100Hz 到 2.0KHz 之間無異常音，輸入 179mV 輸出音壓變化量在±3dB 內。
2	Low temp. Test 低溫測試	After being placed in a chamber at -40°C for 24 hours. 置於-40°C環境中 24 小時	
3	Humidity test 相對濕度測試	After being placed in a chamber at +55°C and 93±2%RH relative humidity for 48 hours. 置於+55°C，相對濕度 93±2%環境中 48 小時	
4	Thermal cycle test 溫度循環測試	The part shall be subjected to 6 cycles. One cycle shall be consist of: 單體承受溫度循環測 6 次，其循環內容如圖示： 	

H. RELIABILITY TEST 信賴性測試

No.	Item	Test conditions	Evaluation standard
1	Load test 連續負荷	3mW pink noise is applied for 96hours, at room temp 在室溫下，輸入功率 3mW，粉雜音連續操作 96 小時。	Being placed for 1 hours at +25°C, receiver shall be measured. No obstacle to be harmful to normal operation; damages, cracks, rusts, etc. Should not be audible at 310mV, sine wave between 100Hz~2.0KHz. inputting 179mV S.P.L. deviation of unit should be within ±3dB 經測試後，靜置於+25°C (室溫) 環境中 1 小時後，測試後無任何障礙妨礙正常操作。且在輸入 310mV 正弦波從 100Hz 到 2.0KHz 之間無異常音。輸入 179mV 輸出音壓變化量在±3dB 內。
2	High Temp. Operation Test 高溫工作	5mw pink noise is applied for 8 hours, at +55°C temp. 在+55°C下，輸入功率 5mw，粉雜音連續操作 8 小時。	
3	Low Temp. Operation Test 低溫工作	5mw pink noise is applied for 8 hours, at -10°C temp. 在-10°C下，輸入功率 5mw，粉雜音連續操作 8 小時。	

TEST CONDITION.

Standard Test Condition	: a) Temperature : +5 ~ +35°C	b) Humidity : 45-85%	c) Pressure : 860-1060mbar
一般測試條件	: a) 溫度 : +5 ~ +35°C	b) 濕度 : 45-85%	c) 氣壓 : 860-1060mbar
Judgement Test Condition	: a) Temperature : +25 ± 2°C	b) Humidity : 60-70%	c) Pressure : 860-1060mbar
爭議時測試條件	: a) 溫度 : +25 ± 2°C	b) 濕度 : 60-70%	c) 氣壓 : 860-1060mbar

J. PACKING STANDARD 包裝規格

