

SPECIFICATION FOR APPROVAL

承 認 書

Description : Micro Dynamic Speaker

Kingstate Part No. : KDSG1508006Q-06T

Customer's Model No. : _____

Specification No. : DOD-6413

Number Of The Edition : 1.1

CUSTOMER'S APPROVED SIGNATURE		

志豐電子股份有限公司 KINGSTATE ELECTRONICS CORP.



Address: 10F, No. 69-11, Sec. 2, Chung Cheng E. Rd., Tamshui County, Taipei Hsien, Taiwan, R.O.C.

International sales dept.: TEL:886-2-2809-5651 FAX:886-2-2809-7151

Domestic sales dept.: TEL:886-2-2809-0668 FAX:886-2-28096748

<http://www.kingstate.com.tw>

Approved by	Checked by	Issued by
		Coco 10/08/14'

A. SCOPE 範疇

This specification applies speaker, **KDSG1508006Q-06T**

此規格書適用於喇叭, **KDSG1508006Q-06T**

B. SPECIFICATION 規格

No.	Item	Symbol	Unit	Specification	Condition
1	Dimension 尺寸		mm	15.0*8.0*2.5H	
2	Power Rating 功率		W	Rated. 0.6/ MAX.1.2 (With 1cc Back Cavity)	Maximum Power:IEC-60268-5 Filter 60s On/120s Off 10 Cycles (Room TEMP.)
3	Impedance 阻抗	Ω	ohm	6.6 \pm 15%	2Vrms at 3kHz
4	Resonance Frequency 低音諧振	Fo	Hz	850 \pm 15%	2Vrms/ With 1cc Back Cavity
5	Output S.P.L. 音壓位準		dB	86 \pm 3dB(2.0Vrms/0.1m)	at 1.0k, 1.2k, 1.5k, 2kHz With 1cc Back Cavity AVG
6	Frequency Range 有效頻寬		Hz	500~10KHz	Output S.P.L. -10dB
7	Distortion 失真		%	<5%	At 1.0kHz ,2.0V
8	Magnet 磁石		mm	N/A	Nd-Fe-B (鈦鐵錳)
9	Flux Density 磁通密度		Gauss	N/A	
10	Operating temp. 操作溫度		$^{\circ}$ C	-20 ~+60	
11	Storage temp. 儲存溫度		$^{\circ}$ C	-40~+85	
12	Buzzer & Rattle 異常音				Not be audible at 2.0Vrms sine wave between 500~10KHz(With 1cc Back Cavity) 輸入 2.0Vrms 正弦波從 500~10KHz 之間無異常音 (在 1CC 后腔)
13	Weight 重量		g	0.8	
14	Material 材質			PPA	
15	Polarity			Diaphragm shall move Forward when Apply a Positive DC. Current to the "+" or "Marked" Terminal.	
16	Environmental Protection Regulation 環保法規			HSF	

C. TYPICAL FREQUENCY RESPONSE CURVE 頻率響應曲線

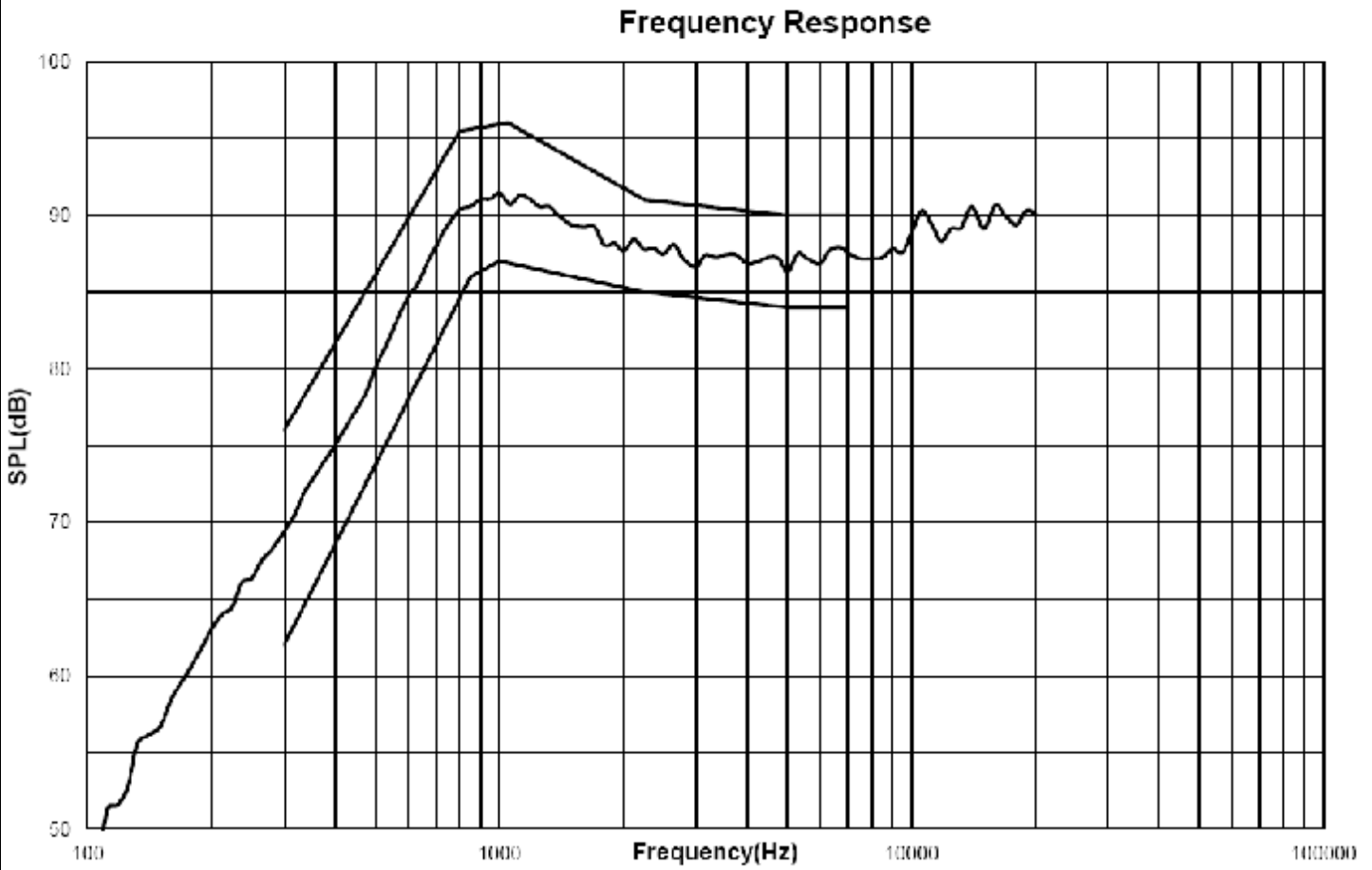


FIG.2

Table 1: Tolerance Limits Date

Frequency (Hz)	Upper Limits(dB)	Frequency (Hz)	Lower Limits(dB)
300	76	300	62
800	95.5	850	86
1050	96	1000	87
2250	91	2250	85
5000	90	5000	84
7000	90	7000	84

D. SPEAKER THD CURVE 失真曲線

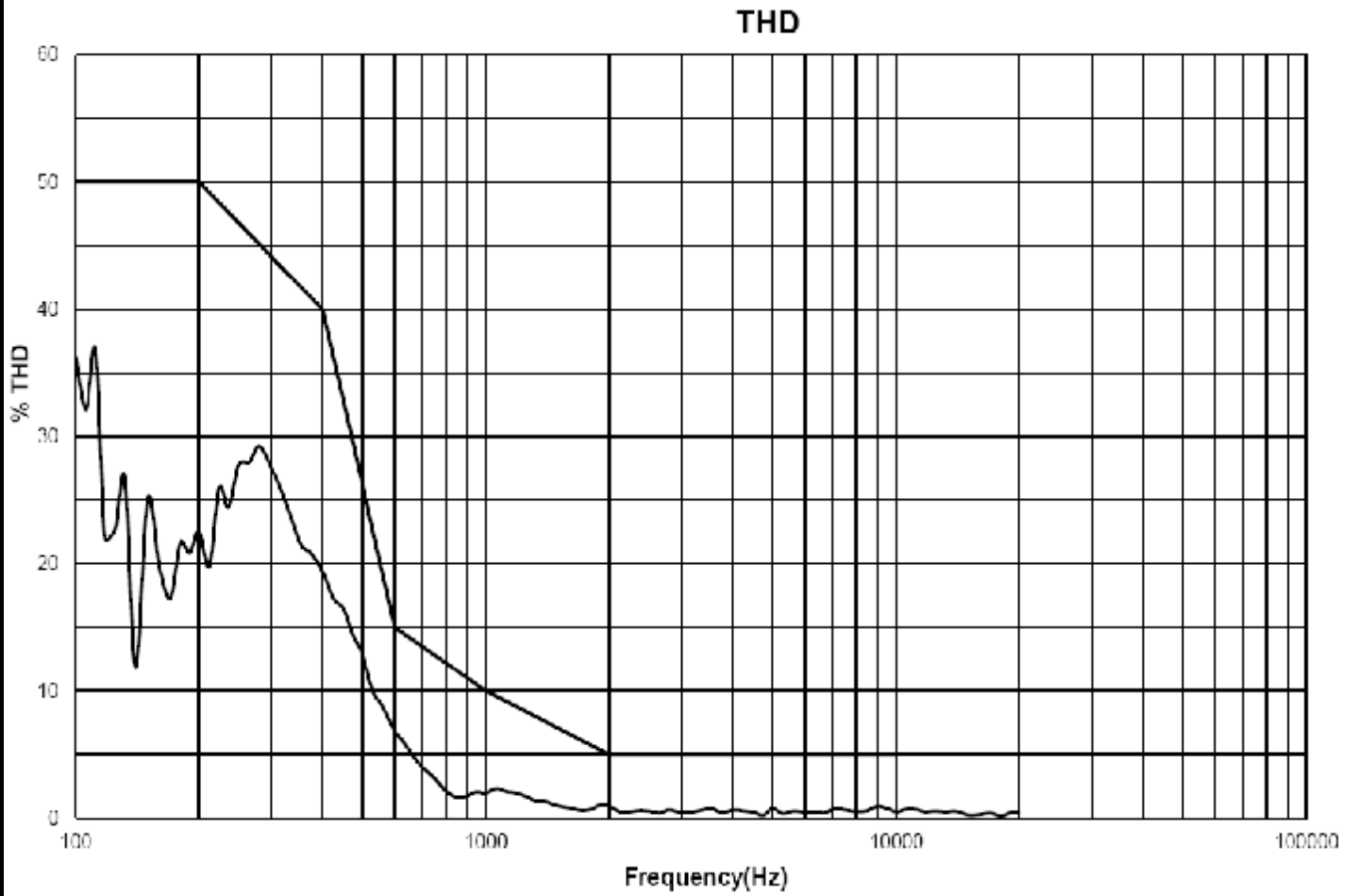
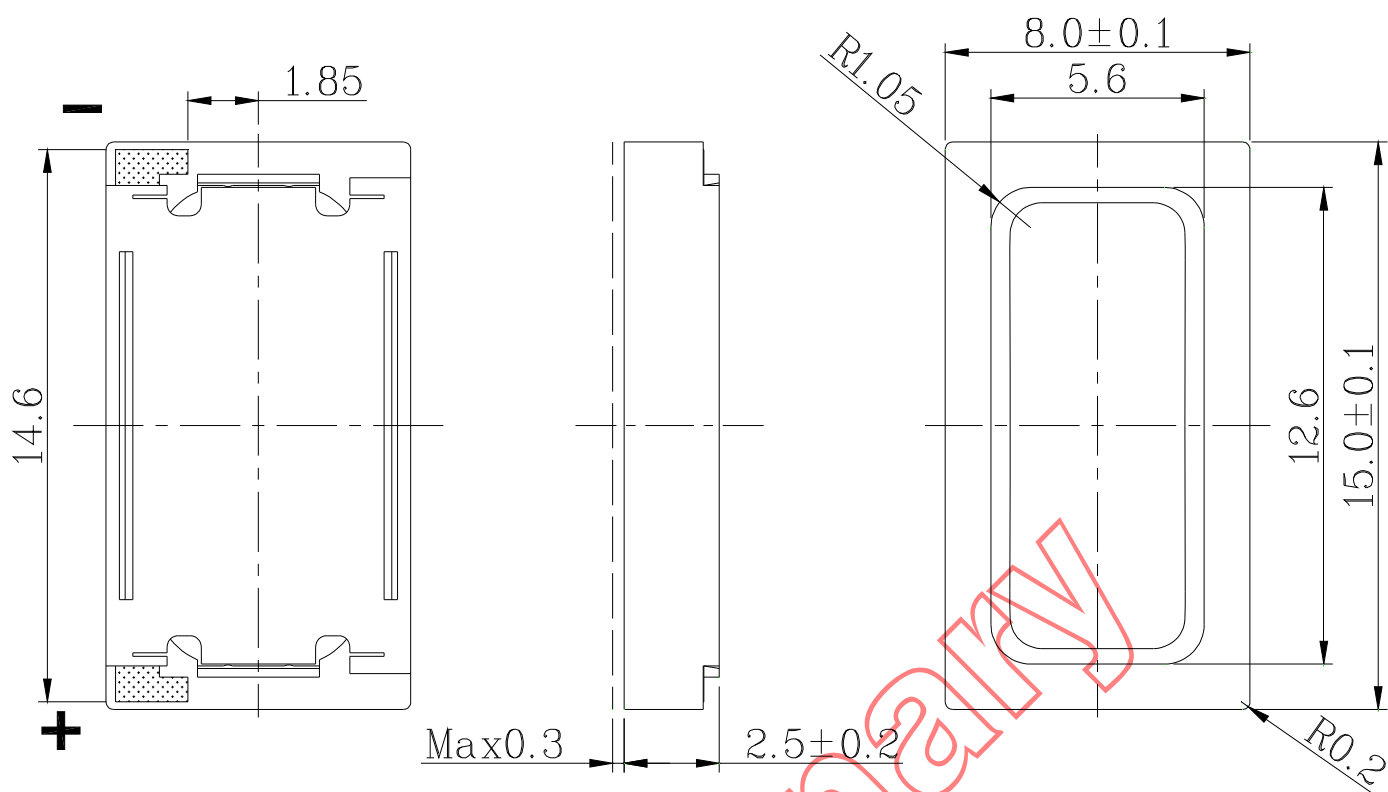


Table 2: Limits Date for THD

Frequency(Hz)	Limits(%)
100	50
200	50
400	40
600	15
600	15
600	15
10000	5

E. APPEARANCE DRAWING 外觀尺寸圖

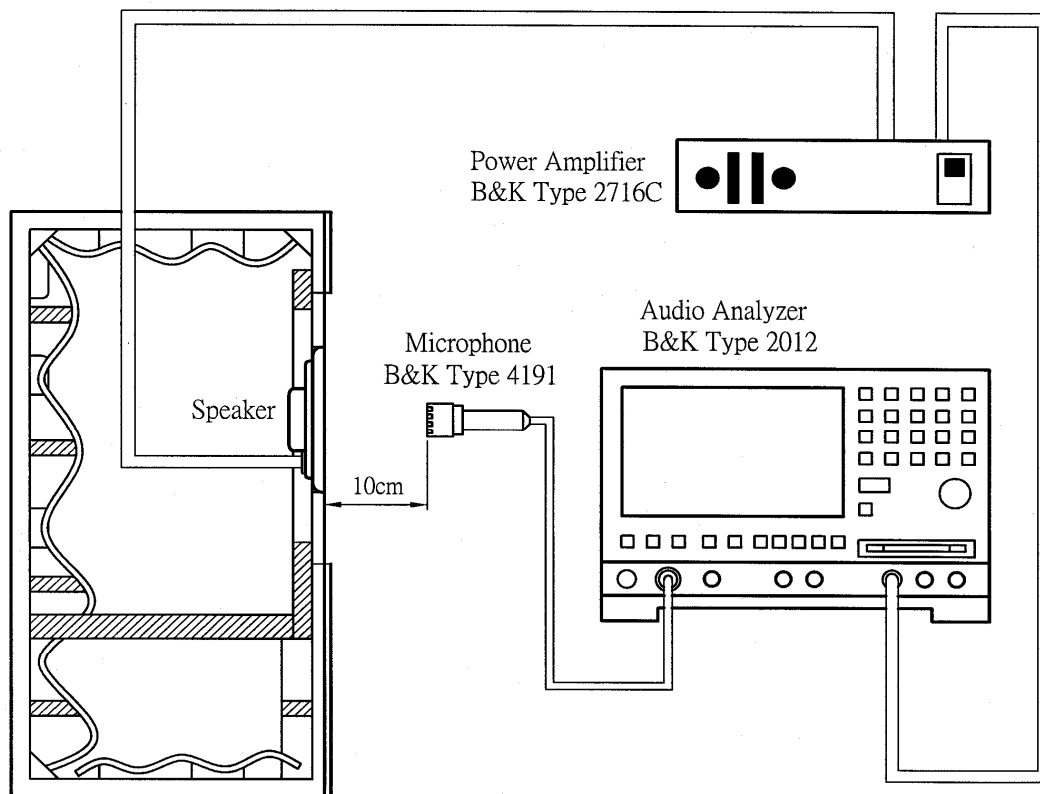


(The dome will exceed outside when speaker working)

UNIT:mm

TOL: ±0.2

F. MEASUREMENT CIRCUIT 測量線路

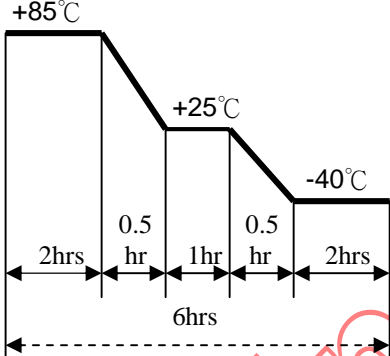


JIS C5531
940mm x 640mm x 1240mm

G. MECHANICAL CHARACTERISTICS 機械特性

No.	Item	Test condition	Evaluation standard
1	Solderability 焊錫附著性 (Connector excepted) 端子類不適用此項	Stripped wires of lead wires are immersed in rosin for 5 seconds and then immersed in solder bath of $+270\pm 5^{\circ}\text{C}$ for 3 ± 0.5 seconds. 裸線部份浸入松香溶液 5 秒後,再浸入 $+270\pm 5^{\circ}\text{C}$ 熔融焊錫槽 3 ± 0.5 秒.	90% min. stripped wires shall be wet with solder.(Except the edge of terminal) 浸入裸線部份附著焊錫 90% 以上.(末端斷面不算).
2	Lead Wire Pull Strength 線材拉力	The pull force shall be applied to double lead wire : Horizontal 3.0N(0.306kg) for 30 seconds. Vertical 2.0N(0.204kg) for 30 seconds. 雙線材水平方向施以 3.0N(0.306kg) 的力量, 垂直方向施以 2.0N(0.204kg) 的力量,各 30 秒.	No damage and cutting off 線材不鬆動, 不脫落.
3	Vibration Test 振動測試	Speaker shall be measured after being applied vibration of amplitude of 1.5mm with 10 to 55Hz band of vibration frequency to each of 3 per-pendicular directions for 2 hours. 振動週波數 10~55Hz、全振幅 1.5mm 於 X.Y.Z 3 個方向, 各 2 小時.	No obstacle to be harmful to normal operation; damages, cracks, rusts and distortions. Should not be audible at 2.0Vrms sine wave between 500~10KHz
4	Drop Test 落下測試	Drop the speakers contained in normal box onto the board 40mm thick 10 times from the height of 75cm 將揚聲器置於盒中, 自 75 公分高度落在 40mm 木板上共 10 次.	測試後無任何障礙防礙正常操作.且在輸入 2.0Vrms 正弦波從 500~10KHz 之間無異常音.

H. ENVIRONMENTAL TEST 環境試驗

No.	Item	Test conditions	Evaluation standard
1	High temp. Test 高溫測試	After being placed in a chamber at +85°C for 96 hours 置於+85°C環境中 96 小時	Being placed for 6 hours at +25°C, speaker shall be measured. No obstacle to be harmful to normal operation; damages, cracks, rusts, etc. Should not be audible at 2.0Vrms sine wave between 500~10KHz. Fo should meet initial one. S.P.L. deviation of unit should be within ±3dB. 經測試後，靜置於+25°C (室溫)環境中 6 小時後，測試後無任何障礙防礙正常操作.且在輸入 2.0Vrms 正弦波從 500 到 10KHz 之間無異常音. Fo 與原規格值相同,輸出音壓變化量在±3dB 內.
2	Low temp. Test 低溫測試	After being placed in a chamber at -40°C for 96 hours. 置於-40°C環境中 96 小時	
3	Humidity test 相對濕度測試	After being placed in a chamber at +40°C and 95% RH relative humidity for 96 hours. 置於+40°C, 相對濕度 95%環境中 96 小時	
4	Temp. cycle test 溫度循環測試	The part shall be subjected to 5 cycles. One cycle shall be consist of: 單體承受溫度循環測試 5 次, 其循環內容如圖示: 	

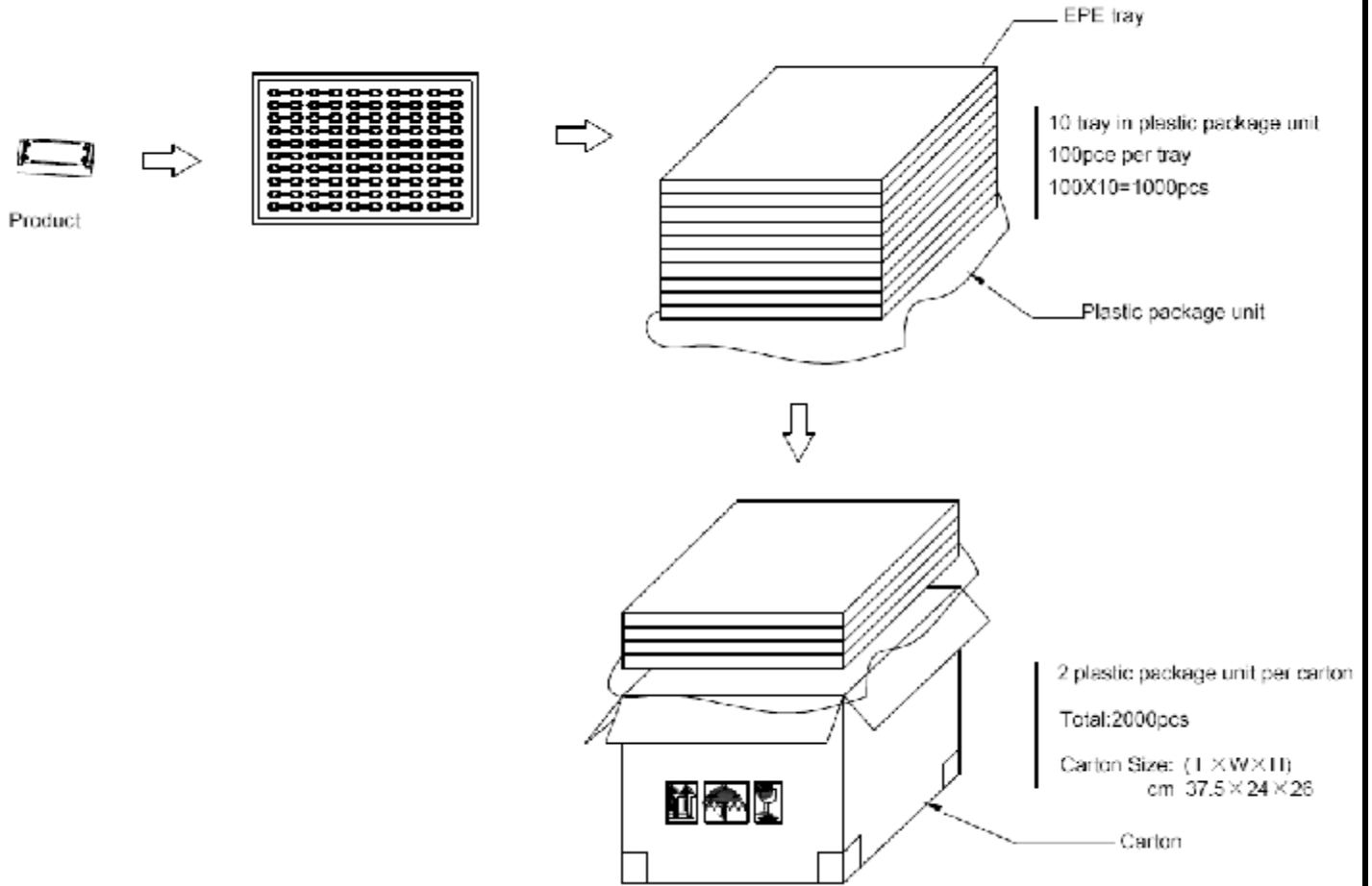
I. RELIABILITY TEST 信賴性試驗

No.	Item	Test conditions	Evaluation standard
1	Load test 連續負荷	2Vrms in 1 cc closed box pink noise is applied for 96 hours, at room temp. 在室溫下, 於 1cc 密閉箱體內輸入 2Vrms, 粉雜音連續操作 96 小時	Being placed for 1 hours at +25°C, speaker shall be measured. No obstacle to be harmful to normal operation; damages, cracks, rusts, etc. Should not be audible at 2Vrms sine wave between 500~10KHz. Fo should meet initial one. S.P.L. deviation of unit should be within ±3dB. 經測試後，靜置於+25°C (室溫)環境中 1 小時後, 測試後無任何障礙防礙正常操作.且在輸入 2Vrms 正弦波從 500 到 10 KHz 之間無異常音. Fo 與原規格值相同,輸出音壓變化量在±3dB 內.

TEST CONDITION.

Standard Test Condition :	a) Temperature : +5 ~ +35°C	b) Humidity : 45-85%	c) Pressure : 860-1060mbar
一般測試條件 :	a) 溫度 : +5 ~ +35°C	b) 濕度 : 45-85%	c) 氣壓 : 860-1060mbar
Judgment Test Condition	a) Temperature : +25 ± 2°C	b) Humidity : 60-70%	c) Pressure : 860-1060mbar
爭議時測試條件:	a) 溫度 : +25 ± 2°C	b) 濕度 : 60-70%	c) 氣壓 : 860-1060mbar

J.PACKING STANDARD 包裝規格



Prell