

SPECIFICATION FOR APPROVAL

承 認 書

Description : Micro Dynamic Speaker
Kingstate Part No. : KDSG2014008-10WD
Customer's Model No. : _____
Specification No. : POD-5158
Number Of The Edition : 1.2

CUSTOMER'S APPROVED SIGNATURE

CUSTOMER'S APPROVED SIGNATURE		





志豐電子股份有限公司 KINGSTATE ELECTRONICS CORP.

Address: 10F, No. 69-11, Sec. 2, Chung Cheng E. Rd., Tamshui County, Taipei Hsien, Taiwan, R.O.C.

International sales dept.: TEL:886-2-2809-5651 FAX:886-2-2809-7151

Domestic sales dept.: TEL:886-2-2809-0668 FAX:886-2-28096748

<http://www.kingstate.com.tw>

Approved by	Checked by	Issued by
 2011.05.23	 2011.05.23	TOMORROW 05/20/11

A. SCOPE 範疇

This specification applies speaker, **KDSG2014008-10WD**

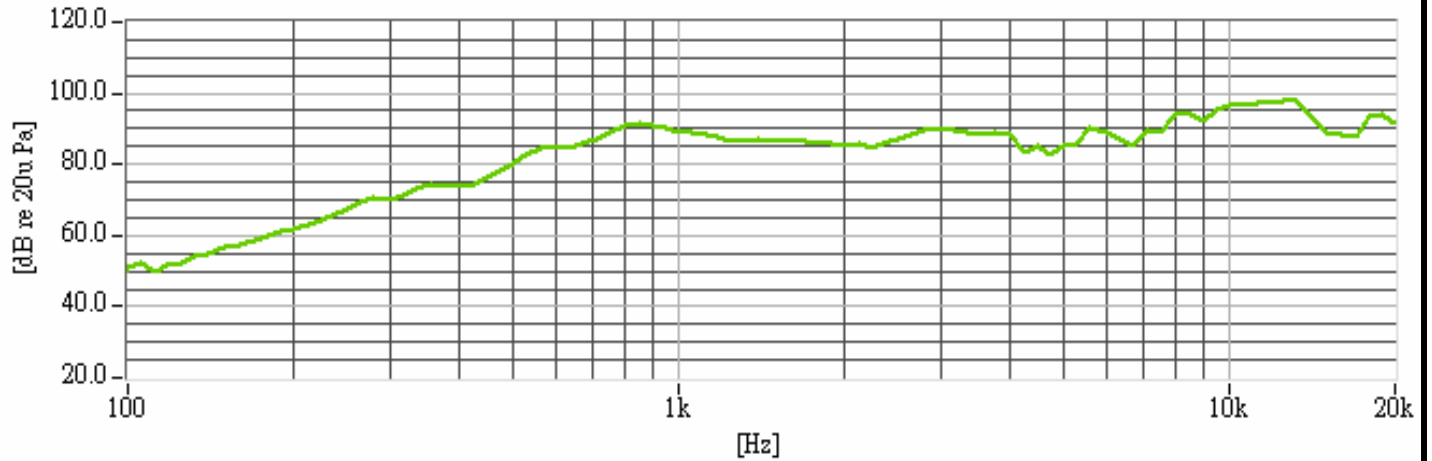
此規格書適用於喇叭, **KDSG2014008-10WD**

B. SPECIFICATION 規格

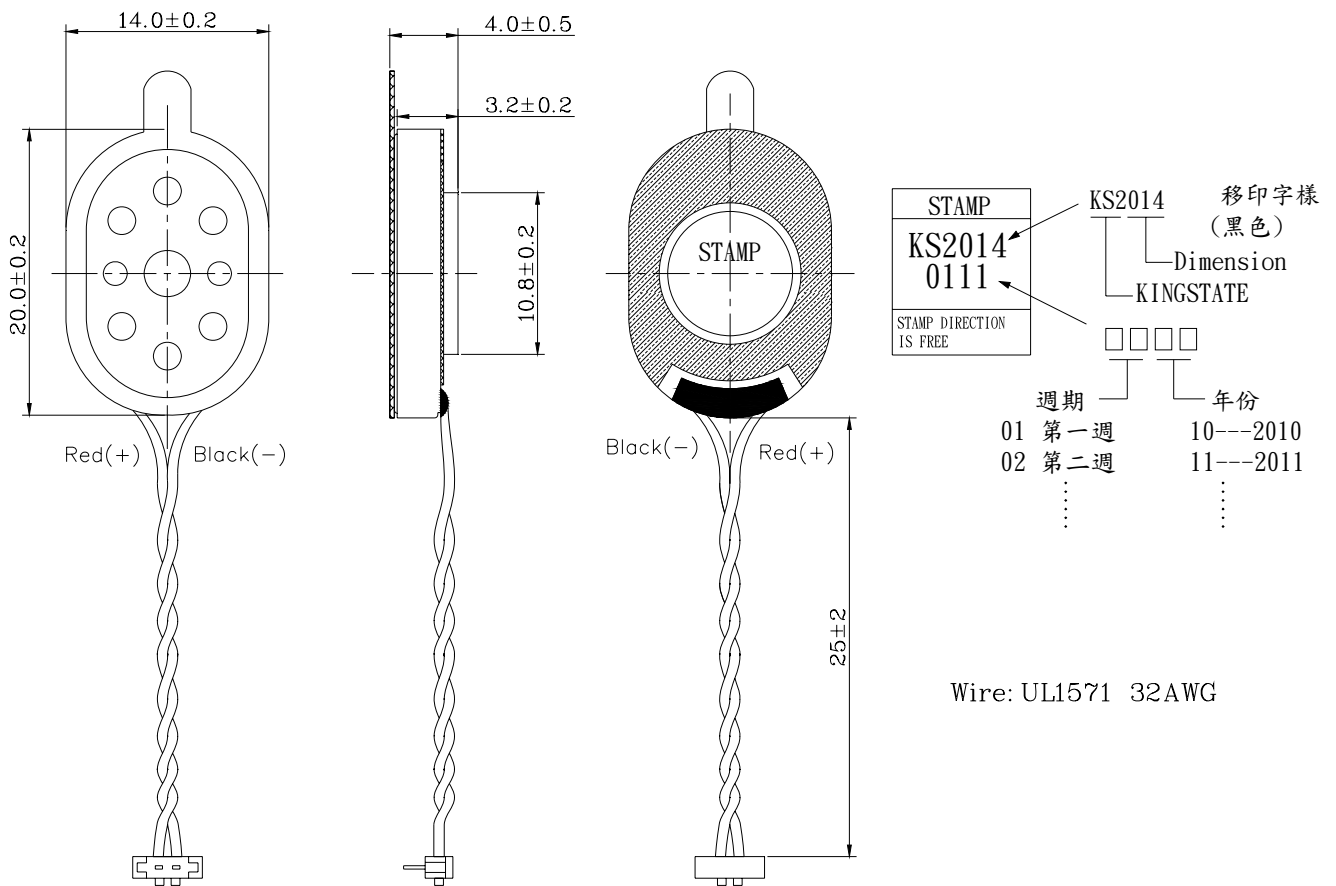
No.	Item	Symbol	Unit	Specification	Condition
1	Dimension 尺寸		mm	L20.0 x W14.0 x H4.0	
2	Power Rating 功率		W	Rated. 1.0 / MAX. 1.2	Maximum Power:IEC-60268-5 Filter 60s On/120s Off 10 Cycles (Room TEMP.)
3	Impedance 阻抗	Ω	ohm	8 \pm 15%	At 1.0KHz
4	Resonance Frequency 低音諧振	Fo	Hz	950 \pm 20% Hz	
5	Output S.P.L. 音壓位準		dB	85 \pm 3dB(0.1w/10cm)	At1.0k,1.2k,1.5k,2.0 kHz (Average figures)
6	Frequency Rang 有效頻寬		Hz	Fo---20K	Output S.P.L. -10dB
7	Distortion 失真		%	10% Max.	At 1.0kHz, 0.1w0.1m
8	Voice Coil 音圈		mm	-----	
9	Magnet 磁石		mm		Nd-Fe-B
10	Flux Density 磁通密度		Gauss	-----	
11	Operating temp. 操作溫度		°C	-20~ +55	
12	Buzze & Rattle 異常音				Not be audible at 2.83Vsine wave between Fo ~ 20KHz 輸入 2.83V 正弦波從 Fo 到 20KHz 之間無異常音
13	Weight 重量		g	1.5	
14	Material 材質			PBT	
15	Environmental Protection Regulation 環保法規			RoHS	

C. TYPICAL FREQUENCY RESPONSE CURVE 頻率響應曲線

音壓曲線



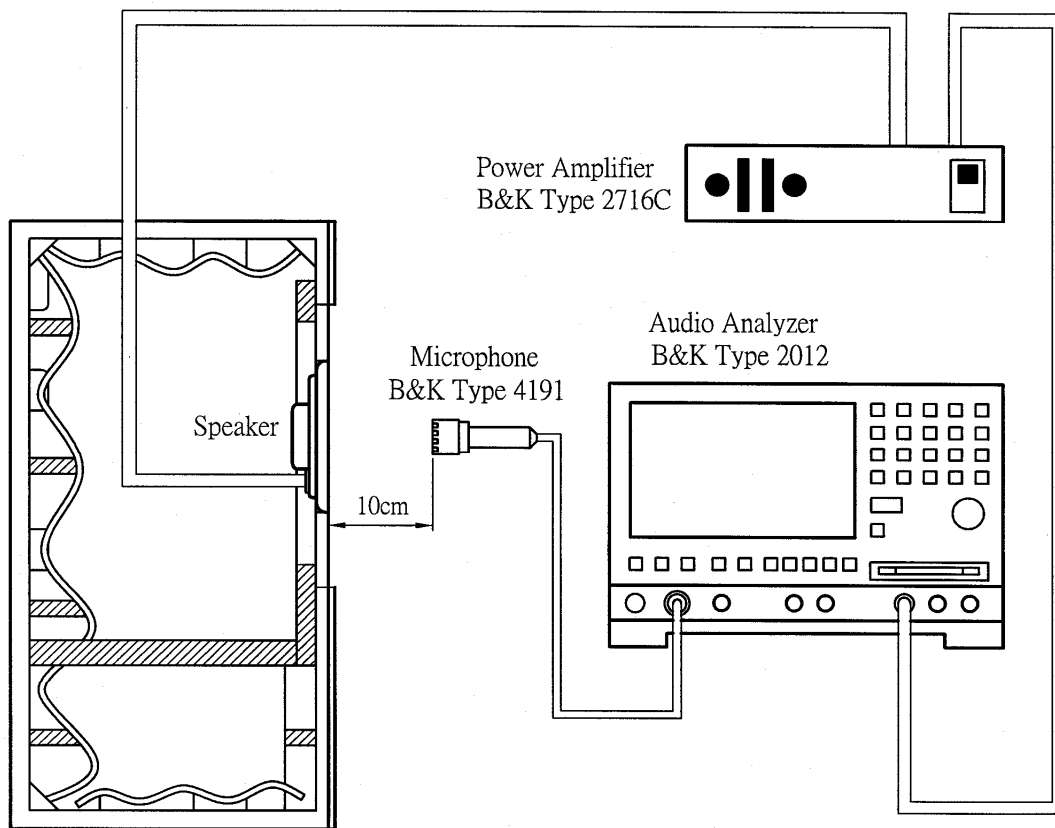
D. APPEARANCE DRAWING 外觀尺寸圖



Tol : ± 0.1

Unit: mm

E. MEASUREMENT CIRCUIT 測量線路

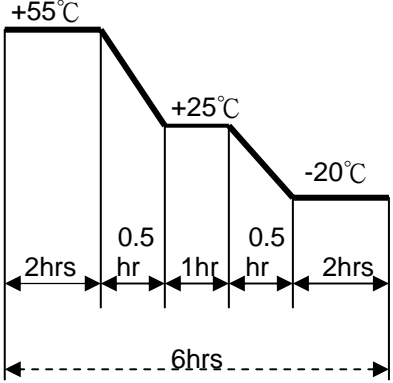


JIS C5531
940mm x 640mm x 1240mm

F. MECHANICAL CHARACTERISTICS 機械特性

No.	Item	Test condition	Evaluation standard
1	Solderability 焊錫附著性 (Connector excepted) 端子類不適用此項	Stripped wires of lead wires are immersed in rosin for 5 seconds and then immersed in solder bath of $+270\pm 5^{\circ}\text{C}$ for 3 ± 0.5 seconds. 裸線部份浸入松香溶液 5 秒後,再浸入 $+270\pm 5^{\circ}\text{C}$ 溶融焊錫槽 3 ± 0.5 秒。	90% min. stripped wires shall be wet with solder.(Except the edge of terminal) 浸入裸線部份附著焊錫 90% 以上。(末端斷面不算)。
2	Lead Wire Pull Strength 線材拉力	The pull force shall be applied to double lead wire : Horizontal 3.0N(0.306kg) for 30 seconds. Vertical 2.0N(0.204kg) for 30 seconds. 雙線材水平方向施以 3.0N(0.306kg) 的力量, 垂直方向施以 2.0N(0.204kg) 的力量,各 30 秒。	No damage and cutting off 線材不鬆動, 不脫落。
3	Vibration Test 振動測試	Speaker shall be measured after being applied vibration of amplitude of 1.5mm with 10 to 55Hz band of vibration frequency to each of 3 per-pendicular directions for 2 hours. 振動週波數 10~55Hz、全振幅 1.5mm 於 X.Y.Z 3 個方向, 各 2 小時。	No obstacle to be harmful to normal operation; damages, cracks, rusts and distortions. Should not be audible at 2.83Vsine wave between $F_0 \sim 20\text{KHz}$
4	Drop Test 落下測試	Drop the speakers contained in normal box onto the board 40mm thick 10 times from the height of 75cm 將揚聲器置於盒中, 自 75 公分高度落在 40mm 木板上共 10 次。	測試後無任何障礙防礙正常操作.且輸入 2.83V 正弦波從 F_0 到 20KHz 之間無異常音。

G. ENVIRONMENTAL TEST 環境試驗

No.	Item	Test conditions	Evaluation standard
1	High temp. Test 高溫測試	After being placed in a chamber at +55°C for 96 hours 置於+55°C環境中 96 小時.	Being placed for 6 hours at +25°C, speaker shall be measured. No obstacle to be harmful to normal operation; damages, cracks, rusts, etc. Should not be audible at 2.83Vsine wave between Fo ~ 20KHz. Fo should meet initial one. S.P.L. deviation of unit should be within ±3dB 經測試後, 靜置於+25°C (室溫)環境中 6 小時後, 測試後無任何障礙防礙正常操作. 且在輸入 2.83V 正弦波從 Fo 到 20KHz 之間無異常音. Fo 與原規格值相同, 輸出音壓變化量在±3dB 內.
2	Low temp. Test 低溫測試	After being placed in a chamber at -20°C for 96 hours. 置於-20°C環境中 96 小時.	
3	Humidity test 相對濕度測試	After being placed in a chamber at +40°C and 90±5%RH relative humidity for 96 hours. 置於+40°C, 相對濕度 90±5%環境中 96 小時.	
4	Temp. cycle test 溫度循環測試	The part shall be subjected to 5 cycles. One cycle shall be consist of: 單體承受溫度循環測試 5 次, 其循環內容如圖示: 	

H. RELIABILITY TEST 信賴性試驗

No.	Item	Test conditions	Evaluation standard
1	Load test 連續負荷	1.0W white noise is applied for 96 hours, at room temp. 在室溫下, 輸入功率 1.0W, 白雜音連續操作 96 小時.	Being placed for 1 hours at +25°C, speaker shall be measured. No obstacle to be harmful to normal operation; damages, cracks, rusts, etc. Should not be audible at 2.83Vsine wave between Fo ~ 20KHz. Fo should meet initial one. S.P.L. deviation of unit should be within ±3dB 經測試後, 靜置於+25°C (室溫)環境中 1 小時後, 測試後無任何障礙防礙正常操作. 且在輸入 2.83V 正弦波從 Fo 到 20KHz 之間無異常音. Fo 與原規格值相同, 輸出音壓變化量在±3dB 內.

TEST CONDITION.

Standard Test Condition :	a) Temperature : +5 ~ +35°C	b) Humidity : 45-85%	c) Pressure : 860-1060mbar
一般測試條件 :	a) 溫度 : +5 ~ +35°C	b) 濕度 : 45-85%	c) 氣壓 : 860-1060mbar
Judgement Test Condition	a) Temperature : +25 ± 2°C	b) Humidity : 60-70%	c) Pressure : 860-1060mbar
爭議時測試條件 :	a) 溫度 : +25 ± 2°C	b) 濕度 : 60-70%	c) 氣壓 : 860-1060mbar

I. PACKING STANDARD 包裝規格

