

# SPECIFICATION

<b>CUSTOMER</b>	
<b>PRODUCT P/N</b>	<b>UDDD-T010360-AURVBW</b>
<b>TYPE</b>	<b>0.36" one digits display Ultra Red usual anode blackface</b>

## ■ RECORD OF REVISION

<b>Version</b>	<b>Date</b>	<b>Page</b>	<b>Description</b>
0.0	2013/23/12	All	New document

■ FEATURES

Connecting Form : Usual Anode

Lighting Color : Ultra Red

■ ELECTRICAL OPTICAL CHARACTERISTICS (Ta = 25°C):

Parameter	Symbol	Min	Type	Max	Unt	Test Condition
Luminous Intensity	IV	70		90	mcd/cm <sup>2</sup>	IF=20mA
Peak Wavelength	λ p				nm	IF=20mA
Wavelength	λ d	622		630	nm	IF=20mA
Spectrum Line Half-Width	△ λ				nm	IF=20mA
Forward Voltage	Vf	1.8	2.0	2.5	V	IF=20mA
Reverse Current	IR			50	uA	VR=5V
Suggestion Forward Current	IF	3	5-10	20	mA	IF=20mA

■ ABSOLUTE MAXIMUM RATINGS (Ta=25°C)

Parameter	Rating	Unit
Reverse Voltage	5	V
Power Dissipation Per Dice	50	mW/chip
Operating Temperature Ranger	-20~+85	°C
Storage Humidity	45%~85%	°F
Storage Temperature Ranger	-20~+95	°C
Soldering Temperature	260±5°C	For 3 Seconds
Peak IF(ma) (1/10Duty Cycle 0.1ms Pulse Width)	80	mA/chip
Continuous Forward Current	20	mA/chip

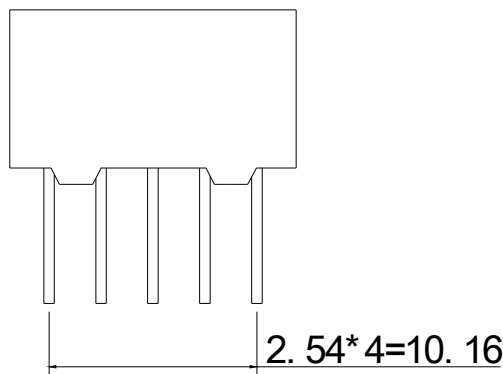
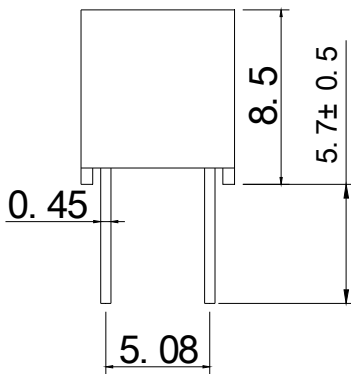
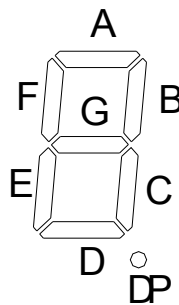
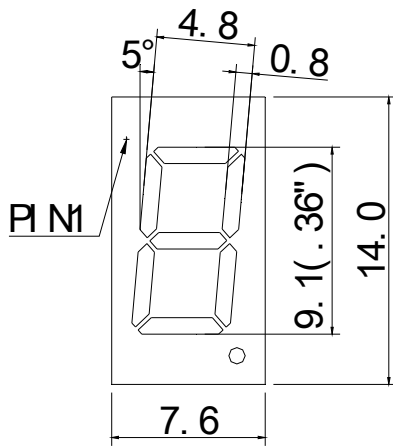
■ SUGGESTED WAY OF USAGE

When using LED it's circuit adopts current limiting with DC current about 5 ~ 10mA, not more than 20mA at maximum

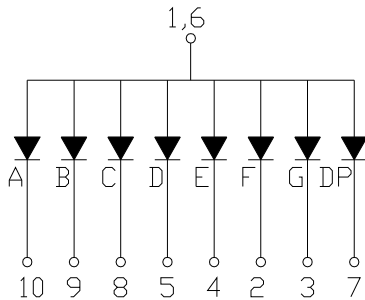
■ FRONT VIEW COLORS (FACE FILM)



■ PACKAGE DIMENSION



■ INTERNAL CIRCUIT DIAGRAM



Notes:

- a. All dimensions are in millimeters (inches)
- b. Tolerance are  $\pm 0.25\text{mm}(0.01'')$  unless otherwise noted