

SPECIFICATION

| | |
|--------------------|---|
| CUSTOMER | |
| PRODUCT P/N | UDDD-T030360-AGTGW |
| TYPE | 0.36" three digits display Green usual anode grey face |

■ RECORD OF REVISION

| Version | Date | Page | Description |
|----------------|-------------|-------------|--------------------|
| 0.0 | 2013/23/12 | All | New document |
| | | | |
| | | | |
| | | | |
| | | | |
| | | | |
| | | | |
| | | | |

■ FEATURES

Connecting Form : Usual Anode

Lighting Color : Green

■ ELECTRICAL OPTICAL CHARACTERISTICS (Ta = 25°C):

| Parameter | Symbol | Min | Type | Max | Unt | Test Condition |
|----------------------------|--------|-----|------|-----|---------------------|----------------|
| Luminous Intensity | IV | 30 | | 40 | mcd/cm ² | IF=10mA |
| Peak Wavelength | λ p | | | | nm | IF=20mA |
| Wavelength | λ d | 568 | | 572 | nm | IF=20mA |
| Spectrum Line Half-Width | △ λ | | | | nm | IF=20mA |
| Forward Voltage | Vf | 2.0 | 2.3 | 2.5 | V | IF=20mA |
| Reverse Current | IR | | | 50 | uA | VR=5V |
| Suggestion Forward Current | IF | 3 | 5-10 | 20 | mA | IF=20mA |

■ ABSOLUTE MAXIMUM RATINGS (Ta=25°C)

| Parameter | Rating | Unit |
|--|-----------------------|---------|
| Reverse Voltage | 5 | V |
| Power Dissipation Per Dice | 50 | mW/chip |
| Operating Temperature Ranger | -40~+65 | °C |
| Storage Humidity | 45%~85% | °F |
| Storage Temperature Ranger | -40~+85 | °C |
| Soldering Temperature | 260±5°C For 3 Seconds | |
| Peak IF(ma) (1/10Duty Cycle 0.1ms Pulse Width) | 80 | mA/chip |
| Continuous Forward Current | 20 | mA/chip |

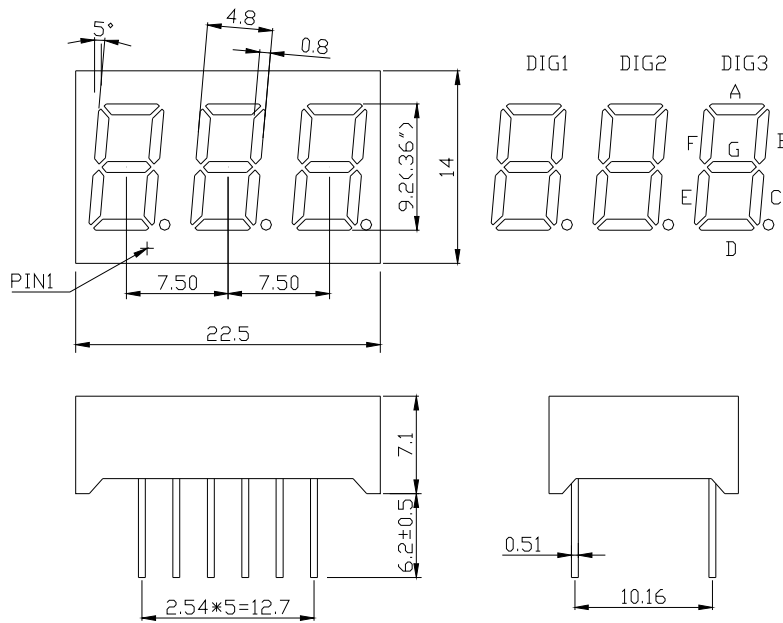
■ SUGGESTED WAY OF USAGE

When using LED it's circuit adopts current limiting with DC current about 5 ~ 10mA, not more than 20mA at maximum

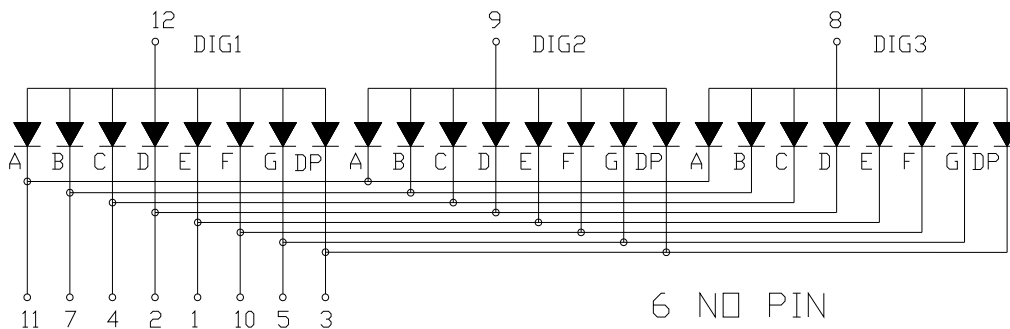
■ FRONT VIEW COLORS (FACE FILM)



■ PACKAGE DIMENSION



■ INTERNAL CIRCUIT DIAGRAM



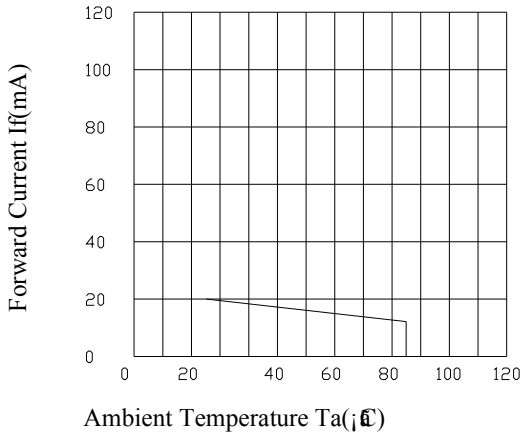
Notes:

- a. All dimensions are in millimeters (inches)
- b. Tolerance are ±0.25mm(0.01") unless otherwise noted

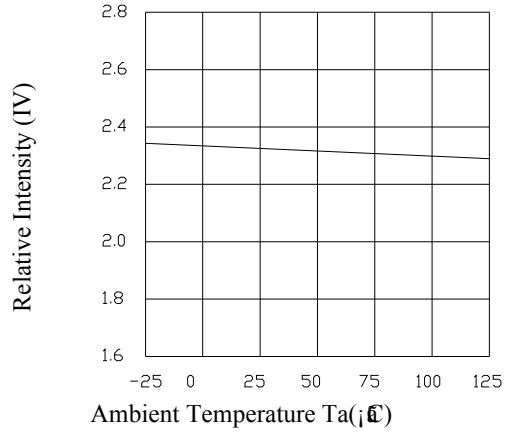
■ TYPICAL OPTICAL/ELECTRICAL CURVES

(Ta=25°C Unless Otherwise Noted)

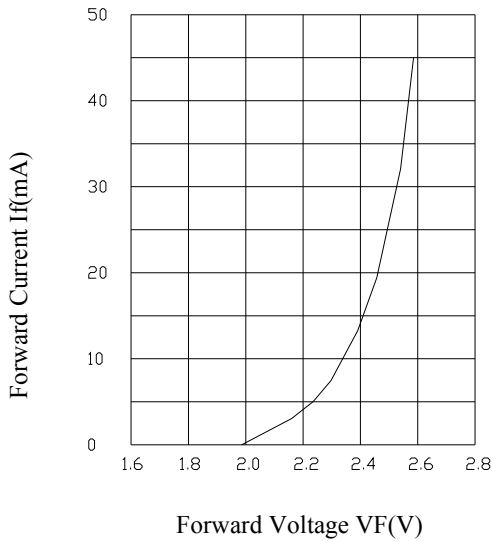
Forward Current VS. Ambient Temperature



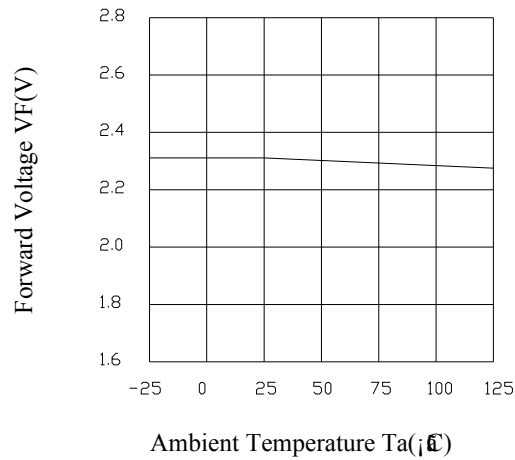
Relative Intensity VS. Ambient Temperature



Forward Current VS. Forward Voltage



Forward Voltage VS. Ambient Temperature



Luminous Spectrum (Ta=25°C)
RADIANCE

SPECTRAL

