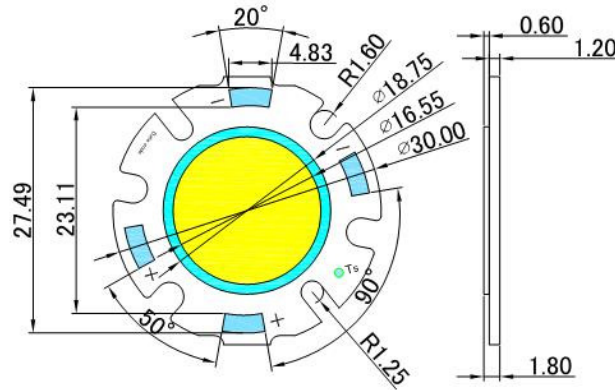
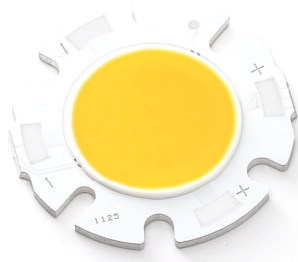


15-30W CoB

Lextar



Suggest Applications:

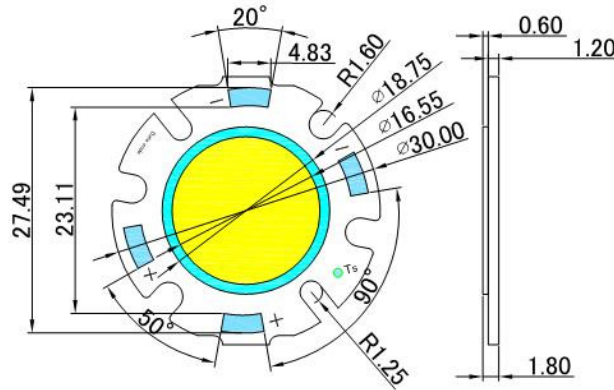
- Bulb
- Down light
- Par

Optical Performance	Input power, W	15			
	Color Temperature	5000K	4000K	3000K	2700K
	Flux@ Tc25 typ., lm	1650	1600	1440	1400
	Voltage	28~34			
	IF (typ.)	480			
	CRI, typ	85			
Thermal performance	R_{th}, °C/W	2			
	Substrate material	Al			

※ Mechanical design pin to pin with Bridgelux ES series

※ Emitting area meet Zhaga book3

23-45W COB



Applications:

- Down light
- Par
- Street light

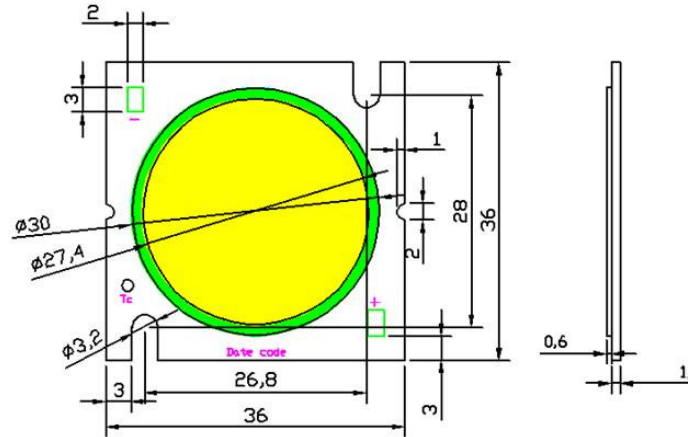
Optical Performance	Input power, W	23			
	Color Temperature	5000K	4000K	3000K	2700K
	Flux@ Tc25 typ., lm	2560	2320	2120	2050
	Voltage	33.6-40.8			
	IF (typ.)	600			
	CRI, typ	85			
Thermal performance	R_{th}, °C/W	0.5			
	Substrate material	Cu			

※ Mechanical design pin to pin with Bridgelux ES series

※ Emitting area meet Zhaga book3

50W-100W COB

Lextar



Applications:

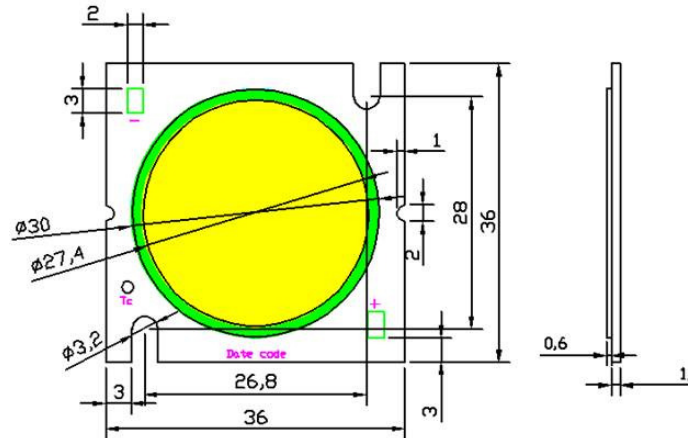
- Down light
- Floodlight
- Street light
- High/ Low bay

Optical Performance	Input power, W	50		
	Color Temperature	5000K	4000K	3000K
	Flux@ Tc25 typ., lm	4900	4700	4500
	Voltage	40.6-50		
	IF (typ.)	1080		
	CRI, typ	85		
Thermal performance	R_{th}, °C/W	<0.4		
	Substrate material	Cu		

※ Mechanical design pin to pin with OSRAM SOLERIQ E45

75W-120W COB

Lextar



Applications:

- Floodlight
- Street light
- High/ Low bay

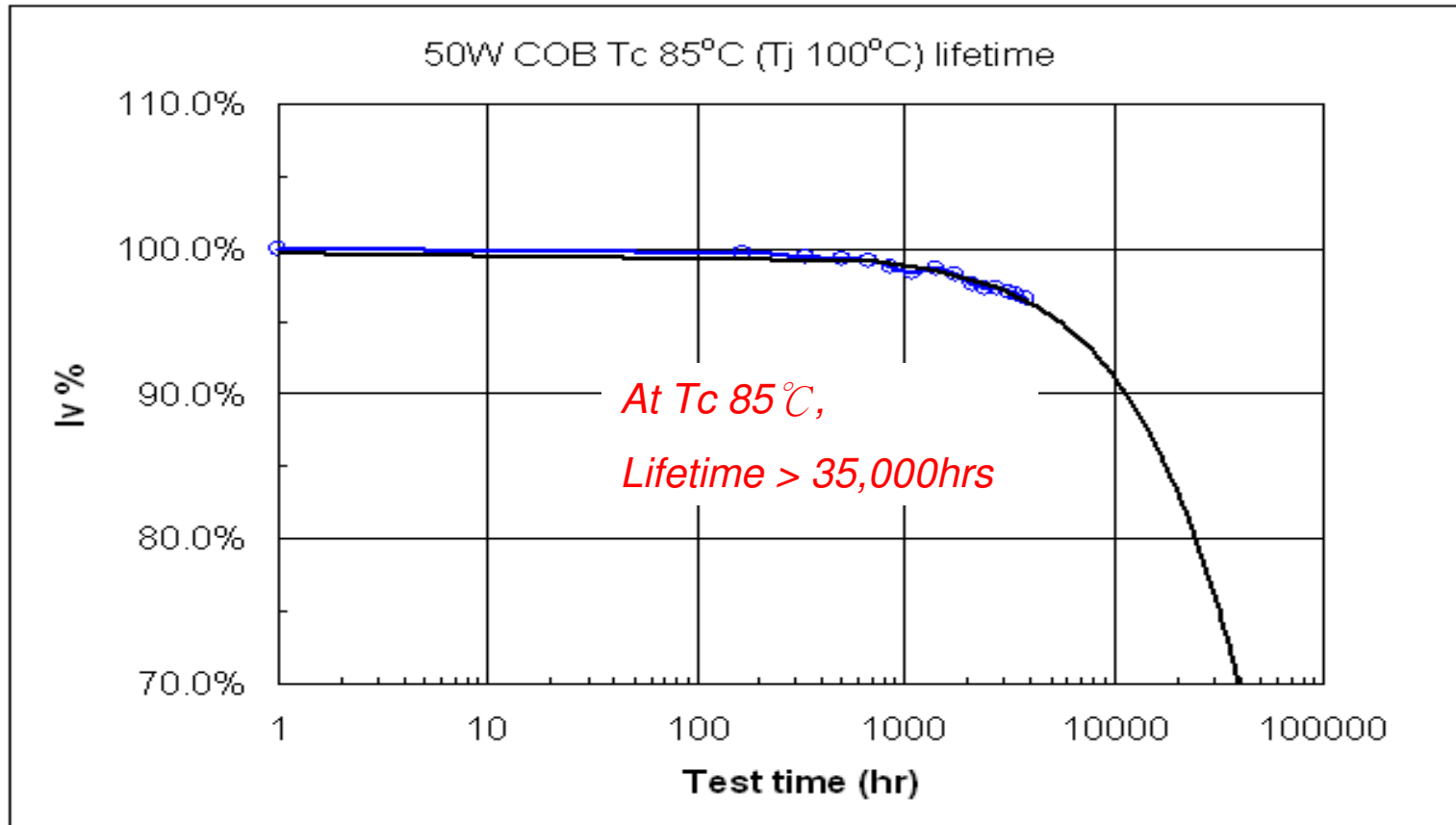
	Type	data	Unit
Optical Performance	input power	75	W
	Color Temperature	5000	K
	Flux@ Tc25 75W, typ.	9500	lm
	Voltage	40	V
	IF (typ.)	1920	mA
	CRI, typ.	70	
Thermal performance	R_{th}	0.4	°C/W
	Substrate material	Al	

※ Mechanical design pin to pin with OSRAM SOLERIQ E45

※ 1st edition specification: substrate design and optical performance might slightly modify.

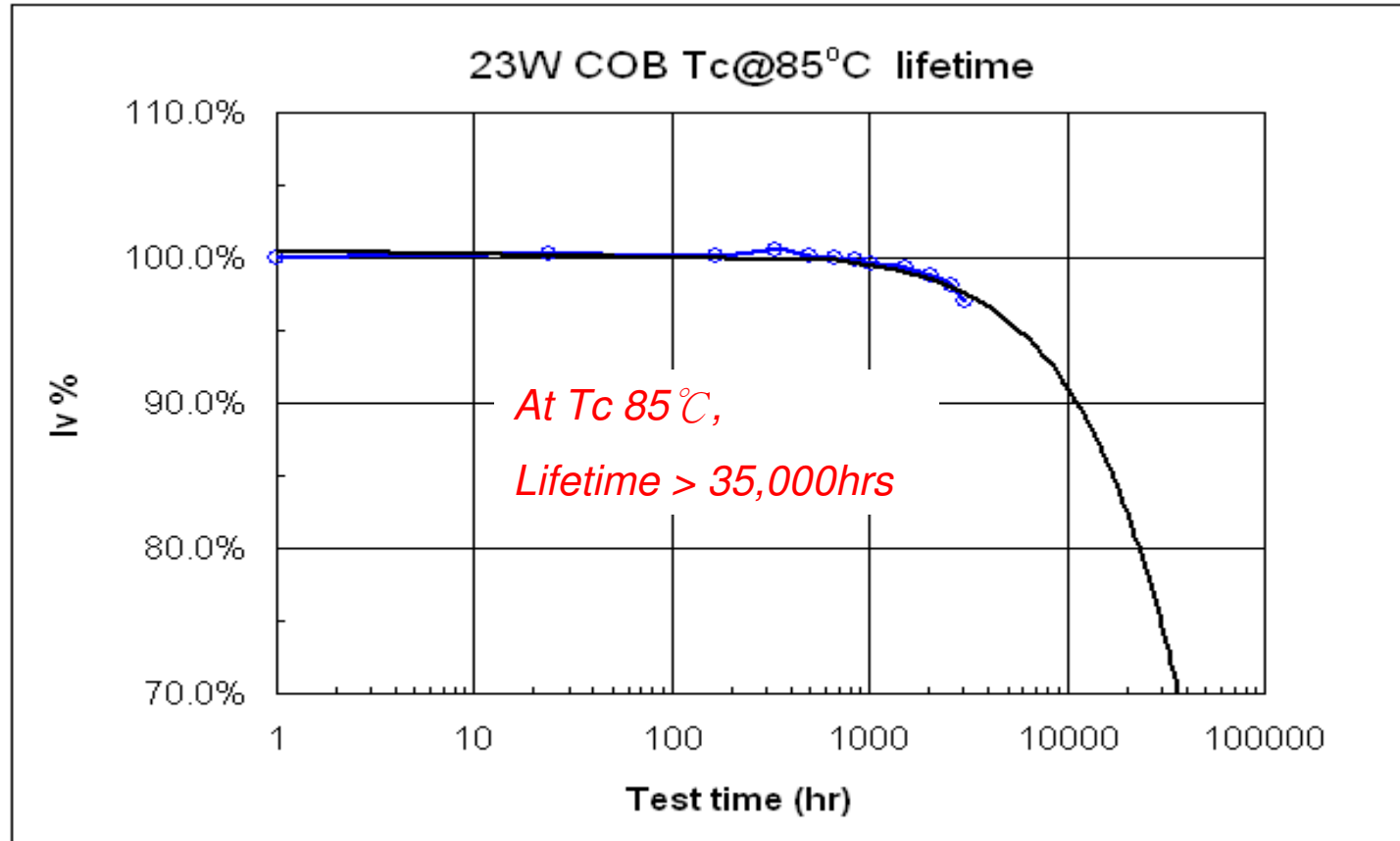
Lextar Proprietary & Confidential

50W lifetime prediction-Tc 85°C



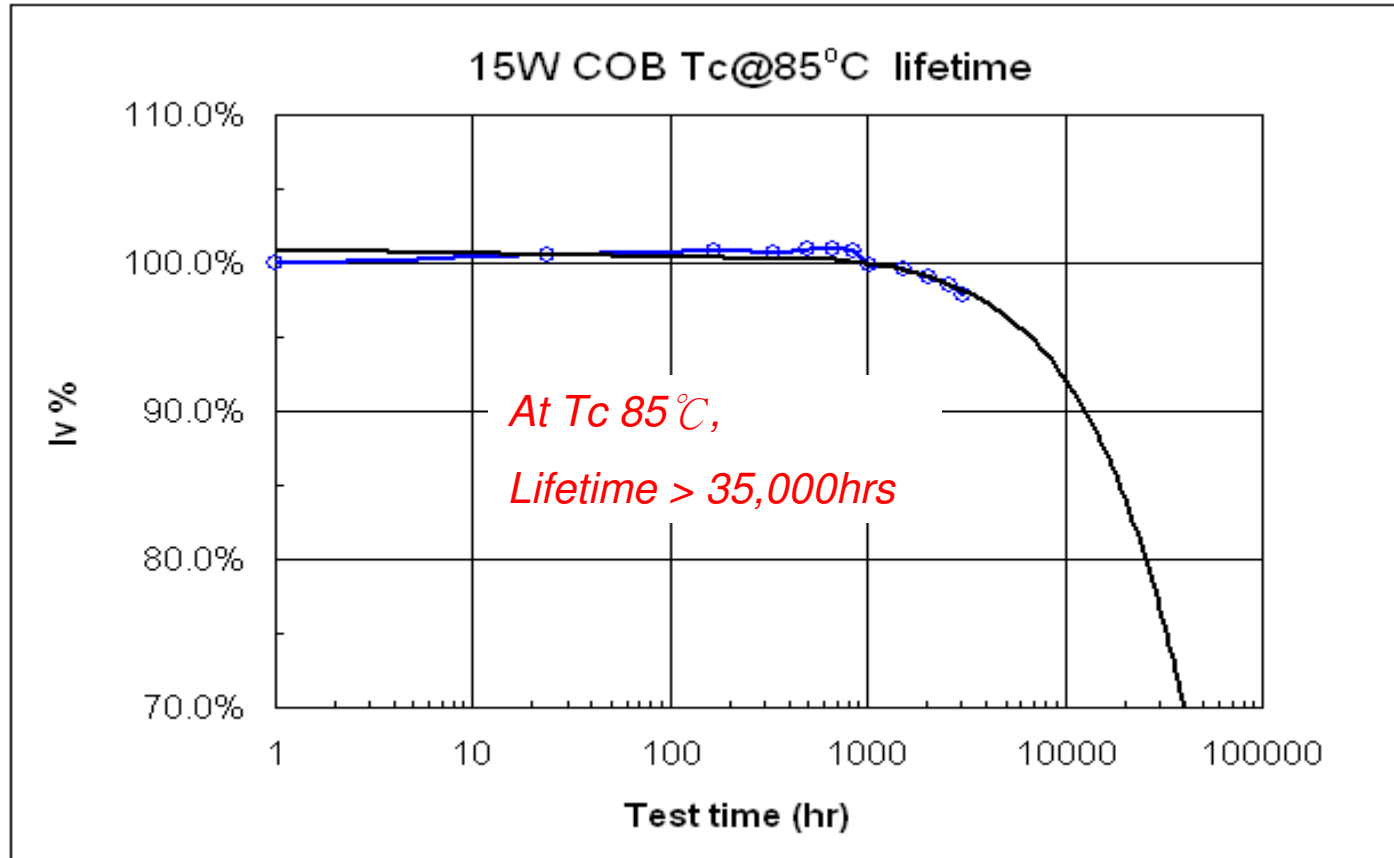
50W COB CRI80	Meaurement Lumen Maintenance (%)								
	If (mA)	Tc (°C)	Tj (°C)	0 hrs	504 hrs	1080 hrs	2088 hrs	3096 hrs	3768 hrs
	1160	85	100	100.0%	99.3%	98.4%	97.6%	97.0%	96.6%

23W lifetime prediction-Tc 85°C



23W COB CRI80	Measurement Lumen Maintenance (%)							
	If (mA)	Tc (°C)	Tj (°C)	0	504	1032	2040	3072
	600	85	95	100%	1.002	0.996	0.988	0.97

15W lifetime prediction-Tc 85°C



15W COB CRI80	Measurement Lumen Maintenance (%)							
	If (mA)	Tc (°C)	Tj (°C)	0	504	1032	2040	3072
	480	85	115	100%	100.9%	99.8%	99.1%	0.979