

Magnetic Buzzer



Magnetic Buzzer

Speedy Reference List

Part Number	Page	Part Number	Page
MAGNETIC TRANSDUCER		MAGNETIC TRANSDUCER	
SMD-Vertical Type		Pin Type-Φ16.0mm	
KSSGL4B12-S	B-03	KXG1601/KXG1606/KXG1612	B-21
KSSGJ4B16-S	B-03	Pin Type-Φ24.5mm	
SMD Type		KXG2505	B-22
KSSGI3J12-A	B-04	KXG2512-A	B-22
KSSG33J12-3	B-04	KXG2512-HB	B-23
KSSG33J12-HDB	B-05	MAGNETIC INDICATOR	
KSSG13J12-N	B-05	SMD Type	
KSSGK4B16-A	B-06	KTG0905CL/KTG0912CL	B-23
KSSG74B16	B-06	KTG1203CL	B-24
KSSGI4B20	B-07	KTG1205CL/KTG1212CL	B-24
KSSGJ4B20-NEW	B-07	KTG1205C	B-25
KSSGJ4D20/KSSGJ4D20-H	B-08	Wire Type-Φ9.6mm	
KSSG74B17-3	B-08	KXG0905CW2	B-25
KSSG74B20	B-09	Pin Type-Φ9.6mm	
KSSG73B16K	B-09	KXG0903C1	B-26
KSSG95B30	B-10	KXG0905C-A	B-26
KCVG084B16-A	B-10	KXG0912C	B-27
KTG1205/KTG1212	B-11	Pin Type-Φ12.0mm	
KSSGH5B43	B-11	KXG1201C	B-27
KSSGH5B43-HQ	B-12	KXG1203C	B-28
Pin Type-Φ6.6mm		KXG1203C-H	B-28
KCG0601	B-12	KXG1205C	B-29
KCG0603-K	B-13	KXG1205C-HZ	B-29
Pin Type-Φ9.0mm		KXG1212C-H1	B-30
KSTG911AP	B-13	KXG1212C	B-30
KSTG931AP	B-14	KXG1205C-HB	B-31
KSTG931APL-H2	B-14	Pin Type-Φ16.0mm	
KSTG931RP-HZ	B-15	KXG1606C/KXG1612C	B-32
KSTG951AP	B-15		
KXG0906	B-16		
Pin Type-Φ12.0mm			
KSQG703BP	B-16		
KSQG706BP	B-17		
KXG1205-LH	B-17		
KSSG1201-16/KSSG1203-16	B-18		
KSSG1206	B-18		
KXG1201/KXG1205/KXG1212	B-19		
KCG1202	B-20		
KCG1206-GS	B-20		

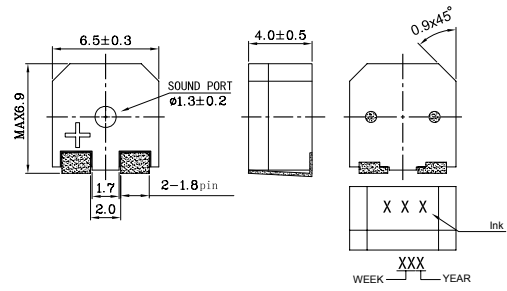
SMD-Vertical Type

MAGNETIC TRANSDUCER

KSSGL4B12-S



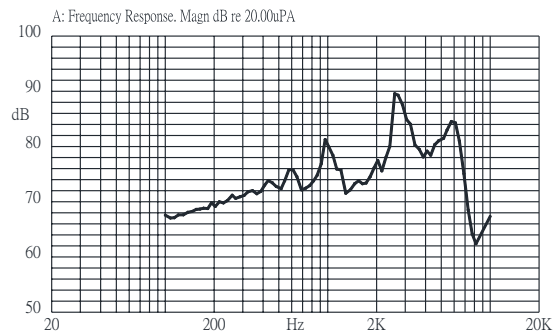
Dimension



Tol: ± 0.5 Unit: mm

Rated Frequency (Hz)	2,700
Rated Voltage (Vo-p)	3.6
Current Consumption (mA)	Max. 120
Sound Pressure Level (dB)	Min. 85 (Typical 90)@10cm
Coli Resistance (Ω)	12.0 ± 2.0
Operating Voltage Range (Vo-p)	2.5 ~ 4.5
Operating Temperature (°C)	-40 ~ +85
Storage Temperature (°C)	-40 ~ +85
Dimension (mm)	L6.5xW6.5xH4.0
Material	L.C.P (Black)

Characteristic



B Magnetic Buzzer

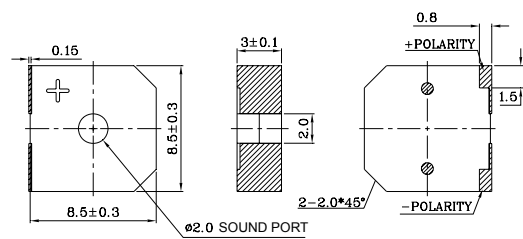
SMD-Vertical Type

MAGNETIC TRANSDUCER

KSSGJ4B16-S



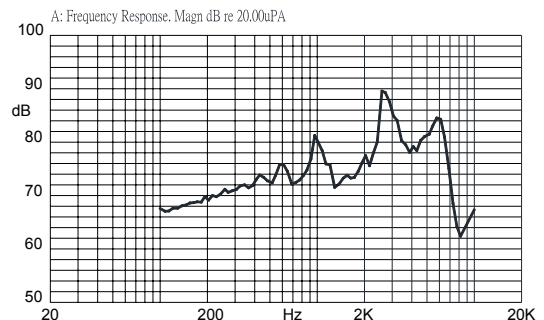
Dimension



Tol: ± 0.5 Unit: mm

Rated Frequency (Hz)	2,730
Rated Voltage (Vo-p)	3.6
Current Consumption (mA)	Max. 100
Sound Pressure Level (dB)	Min. 85 (Typical 90)@10cm
Coli Resistance (Ω)	16.0 ± 3.0
Operating Voltage Range (Vo-p)	2.5 ~ 4.5
Operating Temperature (°C)	-40 ~ +85
Storage Temperature (°C)	-40 ~ +85
Dimension (mm)	L8.5xW8.5xH3.0
Material	L.C.P (Black)

Characterist



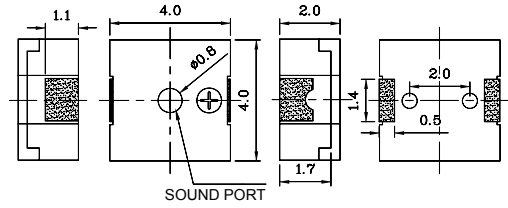
SMD Type

MAGNETIC TRANSDUCER

KSSGI3J12-A

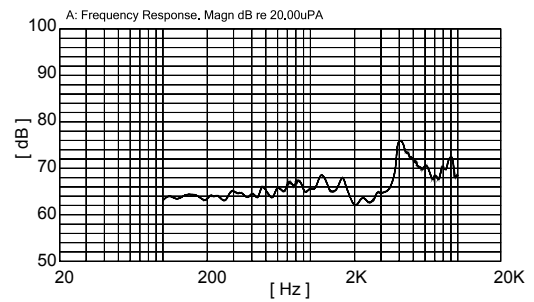


Dimension



Tol: ± 0.5 Unit: mm

Characteristic



Rated Frequency (Hz)	4,000
Rated Voltage (Vo-p)	3.0
Current Consumption (mA)	Max. 90
Sound Pressure Level (dB)	Min. 70@10cm
Coli Resistance (Ω)	20.0 ± 3.0
Operating Temperature (°C)	-20 ~ +70
Storage Temperature (°C)	-30 ~ +80
Dimension (mm)	L4.0xW4.0xH2.0
Material	L.C.P (Black)

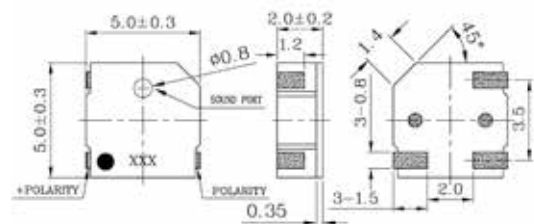
SMD Type

MAGNETIC TRANSDUCER

KSSG33J12-3

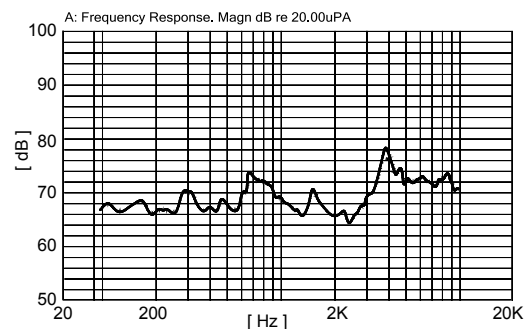


Dimension



Tol: ± 0.5 Unit: mm

Characteristic



Rated Frequency (Hz)	4,000
Rated Voltage (Vo-p)	3.0
Current Consumption (mA)	Max. 110
Sound Pressure Level (dB)	Min. 75@10cm
Coli Resistance (Ω)	12.0 ± 3.0
Operating Temperature (°C)	-20 ~ +70
Storage Temperature (°C)	-30 ~ +80
Dimension (mm)	L5.0xW5.0xH2.0
Material	L.C.P (Black)

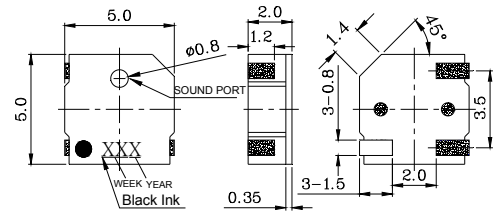
SMD Type

MAGNETIC TRANSDUCER

KSSG33J12-HDB



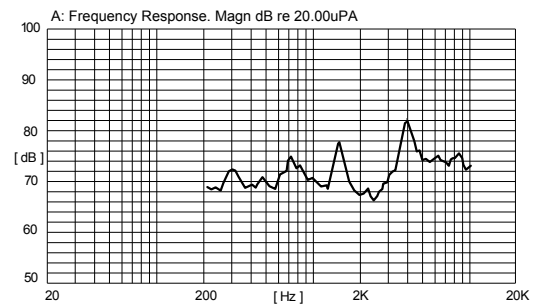
Dimension



Tol: ± 0.5 Unit: mm

Rated Frequency (Hz)	4,000
Rated Voltage (Vo-p)	3.0
Current Consumption (mA)	Max. 110
Sound Pressure Level (dB)	Min. 80@10cm
Coli Resistance (Ω)	12.0 ± 3.0
Operating Voltage Range (Vo-p)	2.0 ~ 4.0
Operating Temperature (°C)	-30 ~ +70
Storage Temperature (°C)	-40 ~ +80
Dimension (mm)	L5.0xW5.0xH2.0
Material	L.C.P (Black)

Characteristic



B
Magnetic Buzzer

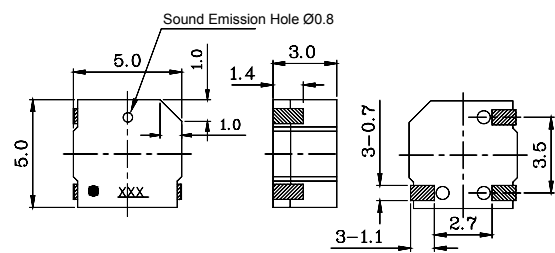
SMD Type

MAGNETIC TRANSDUCER

KSSG13J12-N



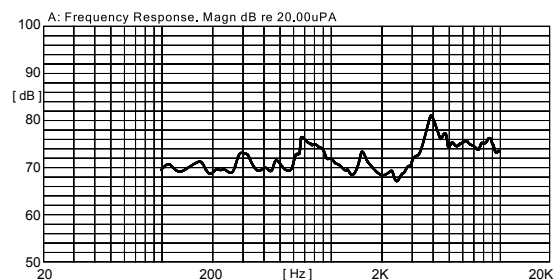
Dimension



Tol: ± 0.5 Unit: mm

Rated Frequency (Hz)	4,000
Rated Voltage (Vo-p)	3.0
Current Consumption (mA)	Max. 110
Sound Pressure Level (dB)	Min. 78@10cm
Coli Resistance (Ω)	12.0 ± 3.0
Operating Voltage Range (Vo-p)	2.0 ~ 4.0
Operating Temperature (°C)	-30 ~ +70
Storage Temperature (°C)	-40 ~ +80
Dimension (mm)	L5.0xW5.0xH3.0
Material	L.C.P (Black)

Characteristic



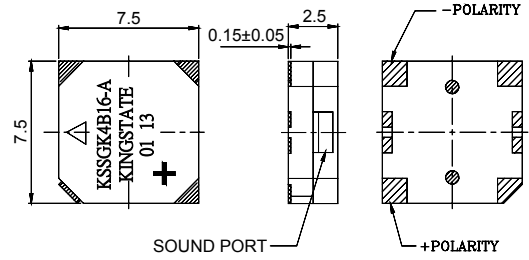
SMD Type

MAGNETIC TRANSDUCER

KSSGK4B16-A



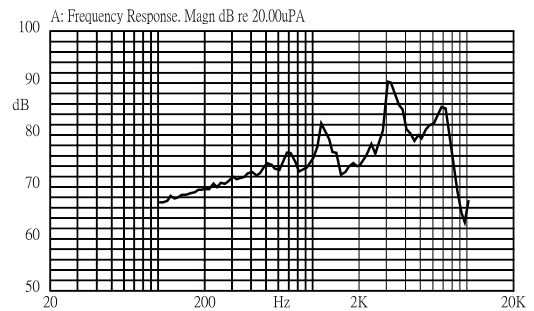
Dimension



Tol: ± 0.5 Unit: mm

Rated Frequency (Hz)	3,100
Rated Voltage (Vo-p)	3.6
Current Consumption (mA)	Max. 100
Sound Pressure Level (dB)	Min. 85 (Typical 90)@5cm
Coli Resistance (Ω)	16.0 ± 3.0
Operating Voltage Range (Vo-p)	2.5 ~ 4.5
Operating Temperature (°C)	-40 ~ +85
Storage Temperature (°C)	-40 ~ +85
Dimension (mm)	L7.5xW7.5xH2.5
Material	L.C.P (Black)

Characteristic



B Magnetic Buzzer

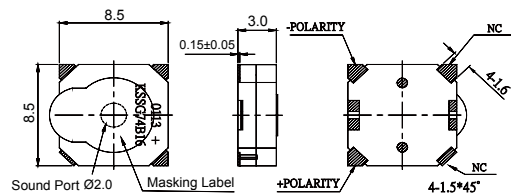
SMD Type

MAGNETIC TRANSDUCER

KSSG74B16



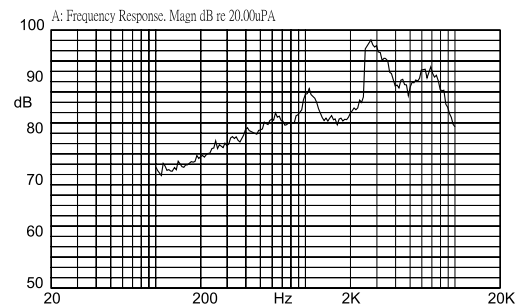
Dimension



Tol: ± 0.5 Unit: mm

Rated Frequency (Hz)	2,730
Rated Voltage (Vo-p)	3.6
Current Consumption (mA)	Max. 90
Sound Pressure Level (dB)	Min. 87 (Typical 90)@10cm
Coli Resistance (Ω)	16.0 ± 3.0
Operating Voltage Range (Vo-p)	3.0 ~ 5.0
Operating Temperature (°C)	-30 ~ +75
Storage Temperature (°C)	-40 ~ +85
Dimension (mm)	L8.5xW8.5xH3.0
Material	L.C.P (Black)

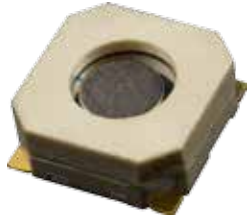
Characteristic



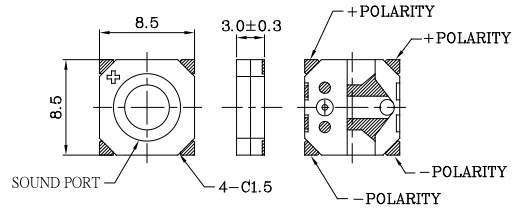
SMD Type

MAGNETIC TRANSDUCER

KSSGI4B20



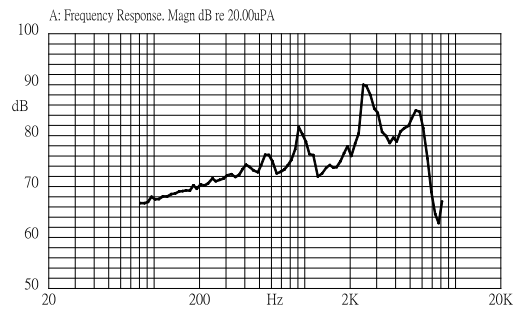
Dimension



Tol: ± 0.5 Unit: mm

Rated Frequency (Hz)	2,730
Rated Voltage (Vo-p)	3.6
Current Consumption (mA)	Max. 80
Sound Pressure Level (dB)	Min. 85 (Typical 90)@5cm
Coli Resistance (Ω)	20.0 ± 3.0
Operating Voltage Range (Vo-p)	3.0 ~ 5.0
Operating Temperature (°C)	-30 ~ +70
Storage Temperature (°C)	-40 ~ +85
Dimension (mm)	L8.5xW8.5xH3.0
Material	L.C.P (White)

Characteristic



B Magnetic Buzzer

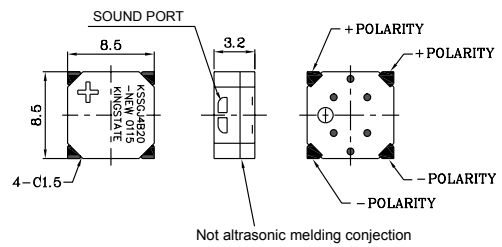
SMD Type

MAGNETIC TRANSDUCER

KSSGJ4B20-NEW



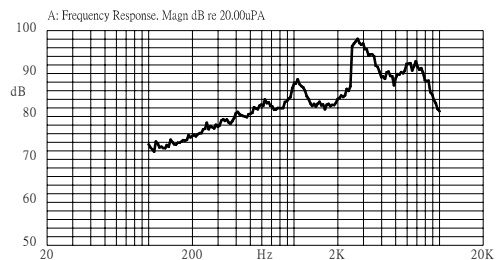
Dimension



Tol: ± 0.5 Unit: mm

Rated Frequency (Hz)	2,730
Rated Voltage (Vo-p)	3.6
Current Consumption (mA)	Max. 80
Sound Pressure Level (dB)	Min. 90 (Typical 97)@5cm
Coli Resistance (Ω)	20.0 ± 3.0
Operating Voltage Range (Vo-p)	3.0 ~ 5.0
Operating Temperature (°C)	-30 ~ +70
Storage Temperature (°C)	-40 ~ +85
Dimension (mm)	L8.5xW8.5xH3.2
Material	L.C.P (White)

Characteristic



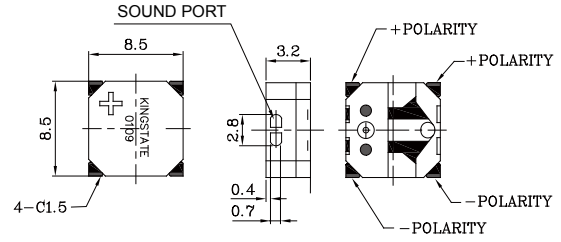
SMD Type

MAGNETIC TRANSDUCER

**KSSGJ4D20
KSSGJ4D20-H**



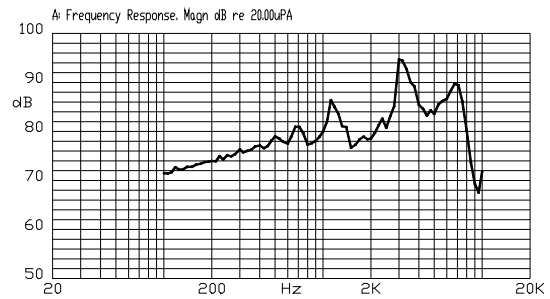
Dimension



Tol: ± 0.5 Unit: mm

Model Number	KSSGJ4D20	KSSGJ4D20-H
Rated Frequency (Hz)	3,100	
Rated Voltage (Vo-p)	3.6	
Current Consumption (mA)	Max. 80	
Sound Pressure Level (dB)	Min. 90 (Typical 97)@5cm	Min. 95 (Typical 97)@5cm
Coli Resistance (Ω)	20.0 ± 3.0	
Operating Voltage Range (Vo-p)	3.0 ~ 5.0	
Operating Temperature (°C)	-30 ~ +70	
Storage Temperature (°C)	-40 ~ +85	
Dimension (mm)	L8.5xW8.5xH3.2	
Material	L.C.P (White)	

Characteristic



B Magnetic Buzzer

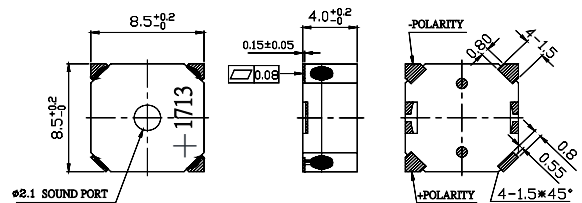
SMD Type

MAGNETIC TRANSDUCER

KSSG74B17-3



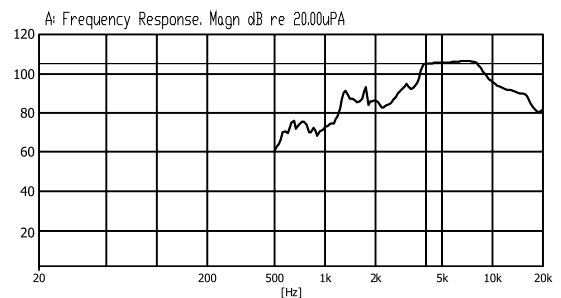
Dimension



Tol: ± 0.5 Unit: mm

Rated Frequency (Hz)	4,000
Rated Voltage (Vo-p)	5.0
Current Consumption (mA)	Max. 150
Sound Pressure Level (dB)	Min. 100@10cm
Coli Resistance (Ω)	13.0 ± 3.0
Operating Voltage Range (Vo-p)	1.0 ~ 6.0
Operating Temperature (°C)	-20 ~ +70
Storage Temperature (°C)	-40 ~ +85
Dimension (mm)	L8.5xW8.5xH4.0
Material	L.C.P (Black)

Characteristic



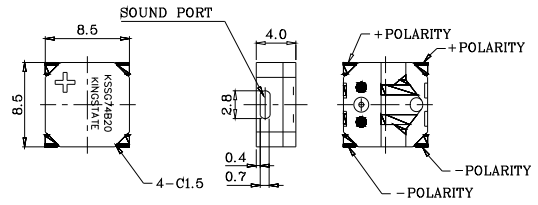
SMD Type

MAGNETIC TRANSDUCER

KSSG74B20

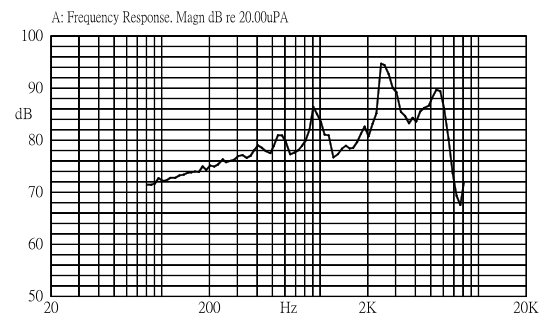


Dimension



Tol: ± 0.5 Unit: mm

Characteristic



Rated Frequency (Hz)	2,730
Rated Voltage (Vo-p)	3.6
Current Consumption (mA)	Max. 80
Sound Pressure Level (dB)	Min. 90 (Typical 97)@5cm
Coli Resistance (Ω)	20.0 ± 3.0
Operating Voltage Range (Vo-p)	3.0 ~ 5.0
Operating Temperature (°C)	-30 ~ +70
Storage Temperature (°C)	-40 ~ +85
Dimension (mm)	L8.5xW8.5xH4.0
Material	L.C.P (White)

B Magnetic Buzzer

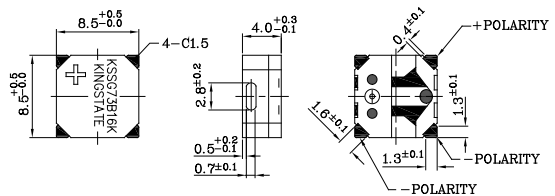
SMD Type

MAGNETIC TRANSDUCER

KSSG73B16K

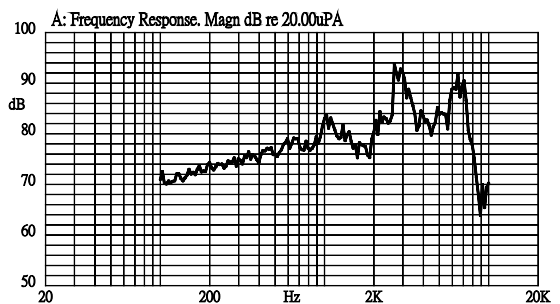


Dimension



Tol: ± 0.5 Unit: mm

Characteristic



Rated Frequency (Hz)	2,730
Rated Voltage (Vo-p)	3.6
Current Consumption (mA)	Max. 100
Sound Pressure Level (dB)	Min. 87 (Typical 92)@10cm
Coli Resistance (Ω)	16.0 ± 2.4
Operating Voltage Range (Vo-p)	2.5 ~ 4.5
Operating Temperature (°C)	-30 ~ +70
Storage Temperature (°C)	-40 ~ +85
Dimension (mm)	L8.5xW8.5xH4.0
Material	L.C.P (White)

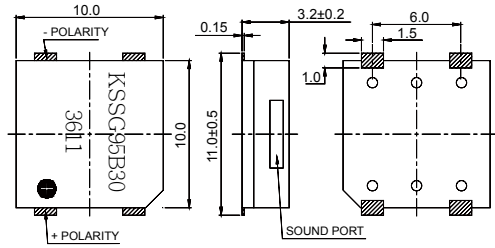
SMD Type

MAGNETIC TRANSDUCER

KSSG95B30

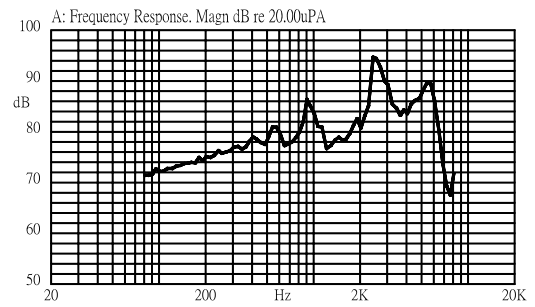


Dimension



Tol: ± 0.5 Unit: mm

Characteristic



Rated Frequency (Hz)	2,700
Rated Voltage (Vo-p)	5.0
Current Consumption (mA)	Max. 80
Sound Pressure Level (dB)	Min. 92 (Typical 95)@10cm
Coli Resistance (Ω)	30 ± 3.0
Operating Voltage Range (Vo-p)	4.0 ~ 7.0
Operating Temperature (°C)	-20 ~ +70
Storage Temperature (°C)	-30 ~ +80
Dimension (mm)	L10.0xW10.0xH3.2
Material	L.C.P (Black)

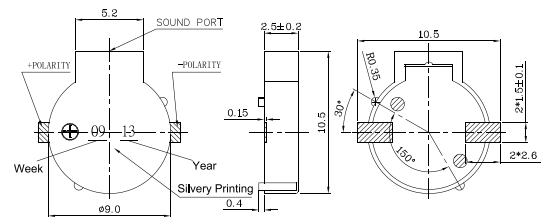
SMD Type

MAGNETIC TRANSDUCER

KCVG084B16-A

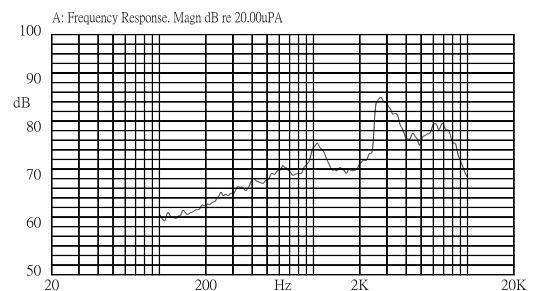


Dimension



Tol: ± 0.5 Unit: mm

Characteristic



Rated Frequency (Hz)	2,730
Rated Voltage (Vo-p)	3.6
Current Consumption (mA)	Max. 110
Sound Pressure Level (dB)	Min. 83 (Typical 87) @10cm
Coli Resistance (Ω)	16.0 ± 3.0
Operating Voltage Range (Vo-p)	2.5 ~ 4.5
Operating Temperature (°C)	-40 ~ +85
Storage Temperature (°C)	-40 ~ +85
Dimension (mm)	L10.5xW9.0xH2.5
Material	L.C.P (Black)

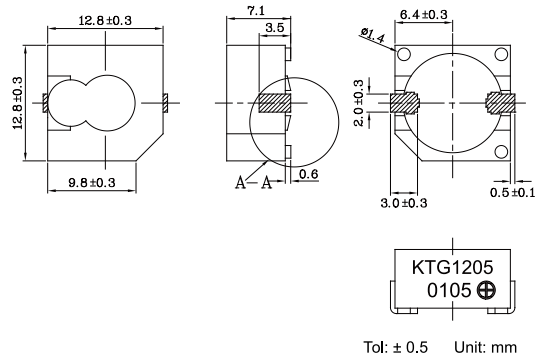
SMD Type

MAGNETIC TRANSDUCER

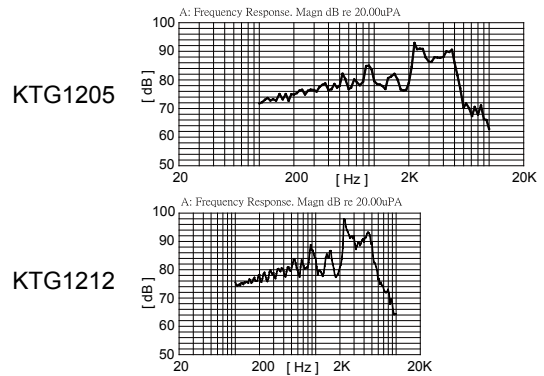
**KTG1205
KTG1212**



Dimension



Characteristic



Model Number	KTG1205	KTG1212
Rated Frequency (Hz)	2,400	
Rated Voltage (Vo-p)	5.0	12.0
Current Consumption (mA)	Max. 40	
Sound Pressure Level (dB)	Min. 87 (Typical 92)@10cm	Min. 87 (Typical 94)@10cm
Coli Resistance (Ω)	45.0 ± 6.7	140.0 ± 21.0
Operating Voltage Range (Vo-p)	3.0 ~ 8.0	8.0 ~ 15.0
Operating Temperature (°C)	-30 ~ +85	-30 ~ +70
Storage Temperature (°C)	-40 ~ +85	
Dimension (mm)	L12.8xW12.8xH7.1	
Material	PPS	

B Magnetic Buzzer

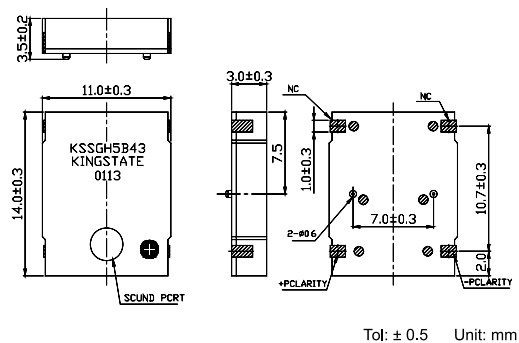
SMD Type

MAGNETIC TRANSDUCER

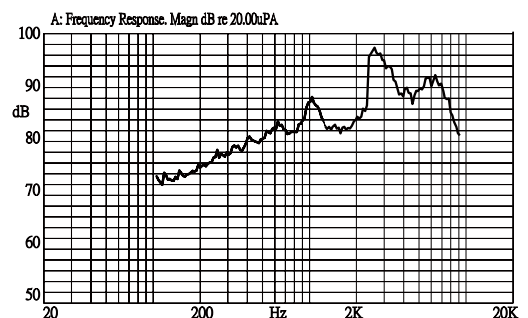
KSSGH5B43



Dimension



Characteristic



Rated Frequency (Hz)	2,730
Rated Voltage (Vo-p)	5.0
Current Consumption (mA)	Max. 60
Sound Pressure Level (dB)	Min. 90@10cm
Coli Resistance (Ω)	43.0 ± 5.1
Operating Voltage Range (Vo-p)	4.0 ~ 6.0
Operating Temperature (°C)	-30 ~ +85
Storage Temperature (°C)	-40 ~ +85
Dimension (mm)	L14.0xW11.0xH3.0
Material	L.C.P (Black)

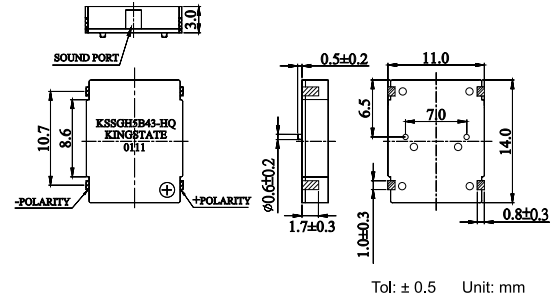
SMD Type

MAGNETIC TRANSDUCER

KSSGH5B43-HQ

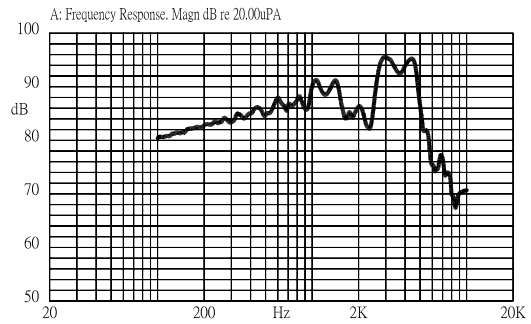


Dimension



Rated Frequency (Hz)	3,200
Rated Voltage (Vo-p)	5.0
Current Consumption (mA)	Max. 90
Sound Pressure Level (dB)	Min. 87 (Typical 93)@10cm, 3.2KHz Min. 85 (Typical 90)@10cm, 1.0KHz Min. 80 (Typical 85)@10cm, 0.5&0.75KHz
Coli Resistance (Ω)	43.0 ± 6.5
Operating Voltage Range (Vo-p)	4.0 ~ 7.0
Operating Temperature (°C)	-40 ~ +85
Storage Temperature (°C)	-50 ~ +85
Dimension (mm)	L14.0xW11.0xH3.0
Material	L.C.P (White)

Characteristic



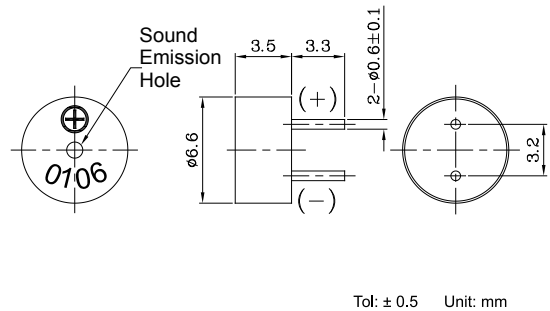
Pin Type-Φ6.6mm

MAGNETIC TRANSDUCER

KCG0601

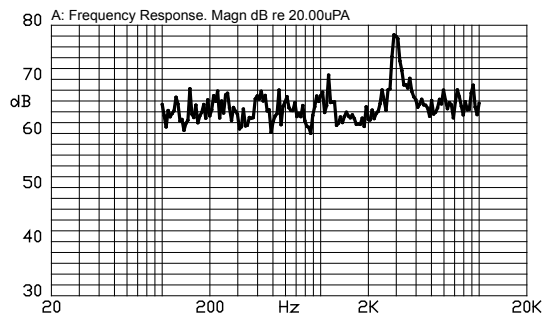


Dimension



Rated Frequency (Hz)	3,000
Rated Voltage (Vo-p)	1.5
Current Consumption (mA)	Max. 80
Sound Pressure Level (dB)	Min. 70 (Typical 77)@10cm
Coli Resistance (Ω)	6.0 ± 1.0
Operating Voltage Range (Vo-p)	1.0 ~ 1.7
Operating Temperature (°C)	-20 ~ +60
Storage Temperature (°C)	-30 ~ +70
Dimension (mm)	Φ6.6xH3.5
Material	PPO (Black)

Characteristic



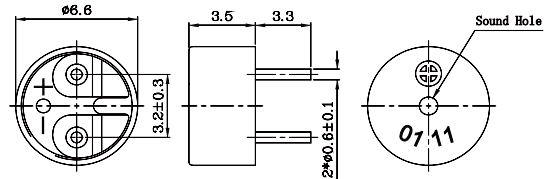
Pin Type-Φ6.6mm

MAGNETIC TRANSDUCER

KCG0603-K



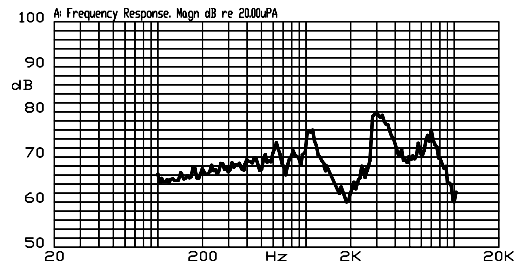
Dimension



Tol: ± 0.5 Unit: mm

Rated Frequency (Hz)	3,000
Rated Voltage (Vo-p)	3.0
Current Consumption (mA)	Max. 80
Sound Pressure Level (dB)	Min. 75 (Typical 80)@10cm
Coli Resistance (Ω)	16.0 ± 3.0
Operating Voltage Range (Vo-p)	2.0 ~ 5.0
Operating Temperature (°C)	-20 ~ +60
Storage Temperature (°C)	-30 ~ +70
Dimension (mm)	Φ6.6xH3.5
Material	PPO (Black)

Characteristic



B Magnetic Buzzer

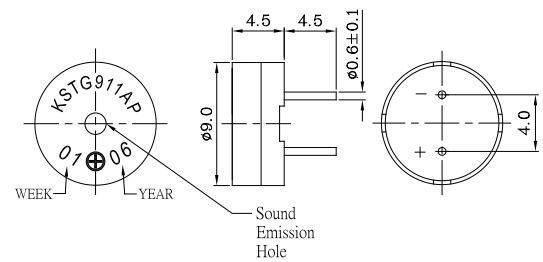
Pin Type-Φ9.0mm

MAGNETIC TRANSDUCER

KSTG911AP



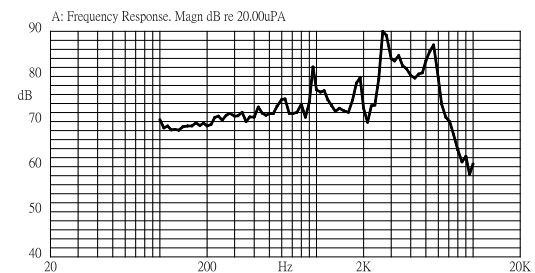
Dimension



Tol: ± 0.5 Unit: mm

Rated Frequency (Hz)	2,730
Rated Voltage (Vo-p)	1.5
Current Consumption (mA)	Max. 80
Sound Pressure Level (dB)	Min. 85 (Typical 92)@10cm
Coli Resistance (Ω)	6.0 ± 1.0
Operating Voltage Range (Vo-p)	1.0 ~ 2.0
Operating Temperature (°C)	-20 ~ +60
Storage Temperature (°C)	-30 ~ +70
Dimension (mm)	Φ9.0xH4.5
Material	PPO (Black)

Characteristic



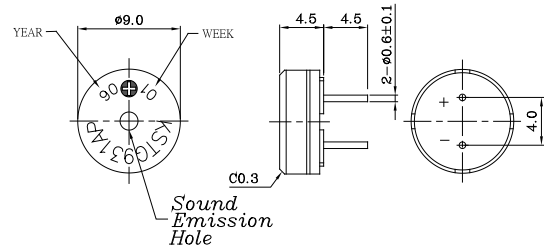
Pin Type-Φ9.0mm

MAGNETIC TRANSDUCER

KSTG931AP



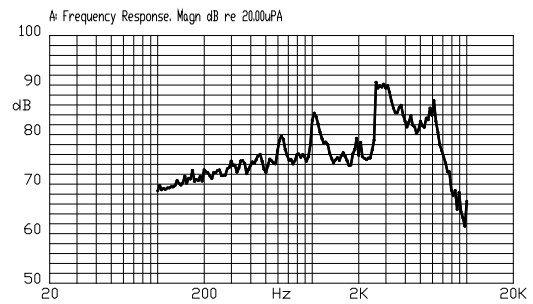
Dimension



Tol: ± 0.5 Unit: mm

Rated Frequency (Hz)	2,730
Rated Voltage (Vo-p)	3.0
Current Consumption (mA)	Max. 80
Sound Pressure Level (dB)	Min. 85 (Typical 92)@10cm
Coli Resistance (Ω)	15.0 ± 2.3
Operating Voltage Range (Vo-p)	2.0 ~ 4.0
Operating Temperature (°C)	-20 ~ +60
Storage Temperature (°C)	-30 ~ +70
Dimension (mm)	Φ9.0xH4.5
Material	PPO (Black)

Characteristic



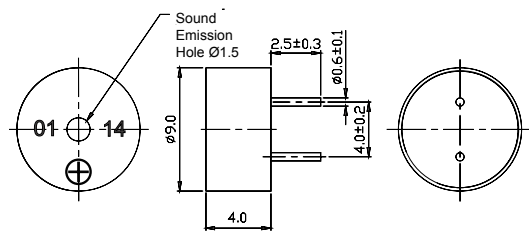
Pin Type-Φ9.0mm

MAGNETIC TRANSDUCER

KSTG931APL-H2



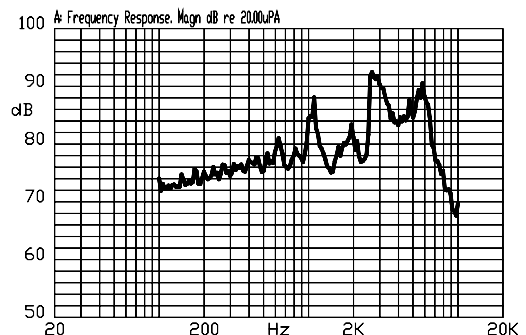
Dimension



Tol: ± 0.5 Unit: mm

Rated Frequency (Hz)	2,730
Rated Voltage (Vo-p)	3.0
Current Consumption (mA)	Max. 80
Sound Pressure Level (dB)	Min. 85 (Typical 90)@10cm
Coli Resistance (Ω)	15.0 ± 3.0
Operating Voltage Range (Vo-p)	2.0 ~ 4.0
Operating Temperature (°C)	-40 ~ +70
Storage Temperature (°C)	-40 ~ +80
Dimension (mm)	Φ9.0×H4.0
Material	PBT+15% Glass

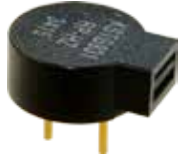
Characteristic



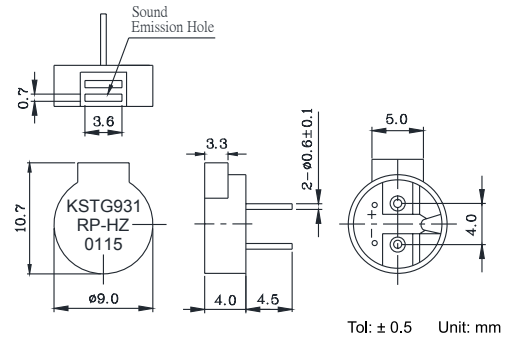
Pin Type-Φ9.0mm

MAGNETIC TRANSDUCER

KSTG931RP-HZ



Dimension



Characteristic



Rated Frequency (Hz)	3,200
Rated Voltage (Vo-p)	3.0
Current Consumption (mA)	Max. 80
Sound Pressure Level (dB)	Min. 87@10cm
Coli Resistance (Ω)	15.0 ± 3.0
Operating Voltage Range (Vo-p)	2.0 ~ 4.0
Operating Temperature (°C)	-20 ~ +60
Storage Temperature (°C)	-30 ~ +70
Dimension (mm)	Φ9.0xH4.0
Material	PPO (Black)

B Magnetic Buzzer

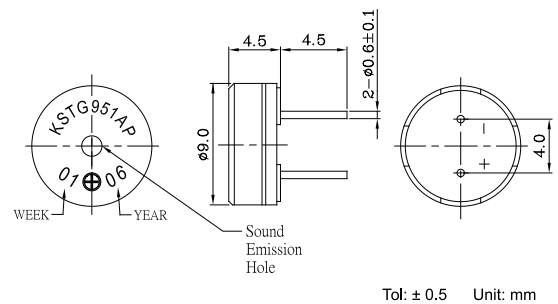
Pin Type-Φ9.0mm

MAGNETIC TRANSDUCER

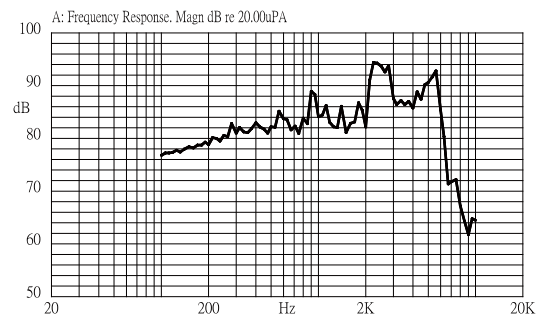
KSTG951AP



Dimension



Characteristic



Rated Frequency (Hz)	3,200
Rated Voltage (Vo-p)	3.0
Current Consumption (mA)	Max. 80
Sound Pressure Level (dB)	Min. 87@10cm
Coli Resistance (Ω)	15.0 ± 3.0
Operating Voltage Range (Vo-p)	2.0 ~ 4.0
Operating Temperature (°C)	-20 ~ +60
Storage Temperature (°C)	-30 ~ +70
Dimension (mm)	Φ9.0xH4.5
Material	PPO (Black)

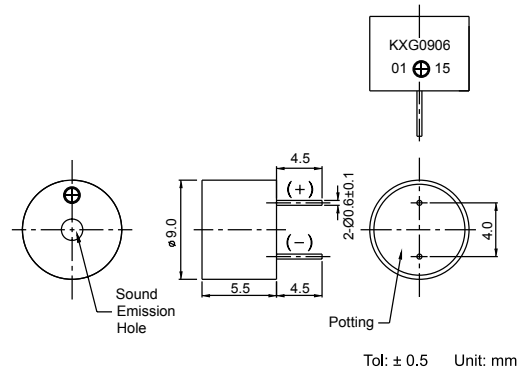
Pin Type-Φ9.0mm

MAGNETIC TRANSDUCER

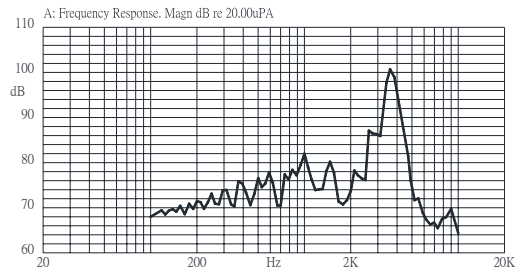
KXG0906



Dimension



Characteristic



Rated Frequency (Hz)	3,500
Rated Voltage (Vo-p)	6.0
Current Consumption (mA)	Max. 120
Sound Pressure Level (dB)	Min. 80 (Typical 100)@10cm
Coli Resistance (Ω)	25.0 ± 5.0
Operating Voltage Range (Vo-p)	5.0 ~ 7.0
Operating Temperature (°C)	-30 ~ +70
Storage Temperature (°C)	-40 ~ +85
Dimension (mm)	Φ9.0xH5.5
Material	PBT

B Magnetic Buzzer

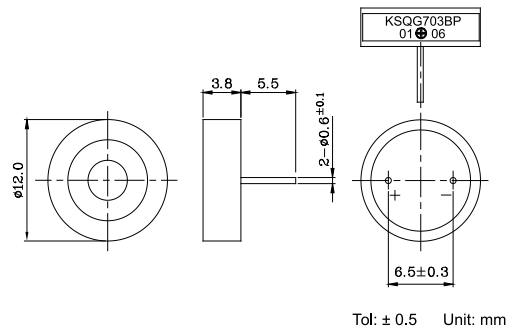
SMD Type-Φ12.0mm

MAGNETIC TRANSDUCER

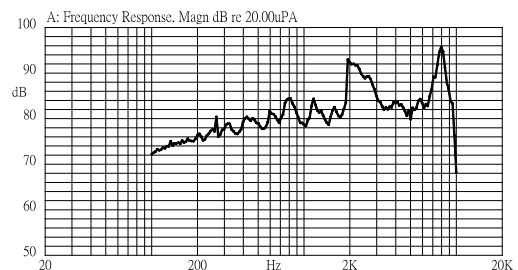
KSQG703BP



Dimension



Characteristic



Rated Frequency (Hz)	2,000
Rated Voltage (Vo-p)	3.0
Current Consumption (mA)	Max. 90
Sound Pressure Level (dB)	Min. 85 (Typical 90)@5cm
Coli Resistance (Ω)	15.0 ± 2.0
Operating Voltage Range (Vo-p)	2.0 ~ 4.0
Operating Temperature (°C)	-30 ~ +70
Storage Temperature (°C)	-40 ~ +85
Dimension (mm)	Φ12.0×H3.8
Material	PPO (Black)

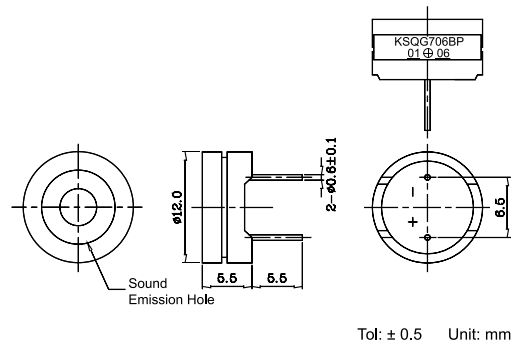
SMD Type-Φ12.0mm

MAGNETIC TRANSDUCER

KSQG706BP

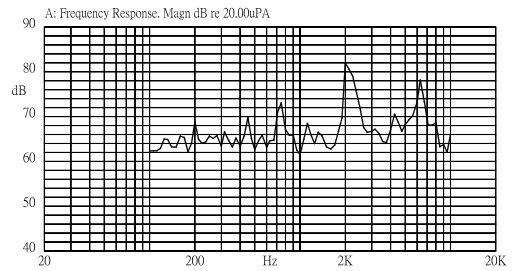


Dimension



Rated Frequency (Hz)	2,048
Rated Voltage (Vo-p)	1.5
Current Consumption (mA)	Max. 20
Sound Pressure Level (dB)	Min. 70 (Typical 75)@10cm
Coil Resistance (Ω)	50.0 ± 7.5
Operating Voltage Range (Vo-p)	1.0 ~ 2.0
Operating Temperature (°C)	-20 ~ +60
Storage Temperature (°C)	-30 ~ +70
Dimension (mm)	Φ12.0×H5.5
Material	PPO

Characteristic



B Magnetic Buzzer

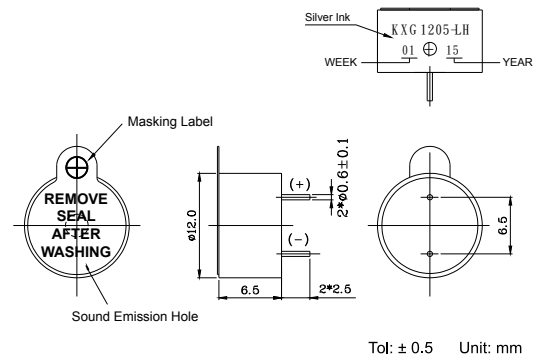
SMD Type-Φ12.0mm

MAGNETIC TRANSDUCER

KXG1205-LH

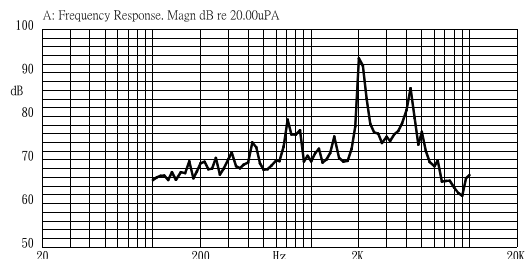


Dimension



Rated Frequency (Hz)	2,400
Rated Voltage (Vo-p)	5.0
Current Consumption (mA)	Max. 55
Sound Pressure Level (dB)	Min. 85 (Typical 90)@10cm
Coil Resistance (Ω)	47.0 ± 5.0
Operating Voltage Range (Vo-p)	3.0 ~ 8.0
Operating Temperature (°C)	-30 ~ +70
Storage Temperature (°C)	-40 ~ +85
Dimension (mm)	Φ12.0xH6.5
Material	PBT (Black)

Characteristic



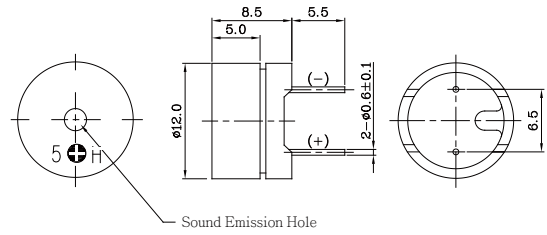
Pin Type-Φ12.0mm

MAGNETIC TRANSDUCER

KSSG1201-16
KSSG1203-16

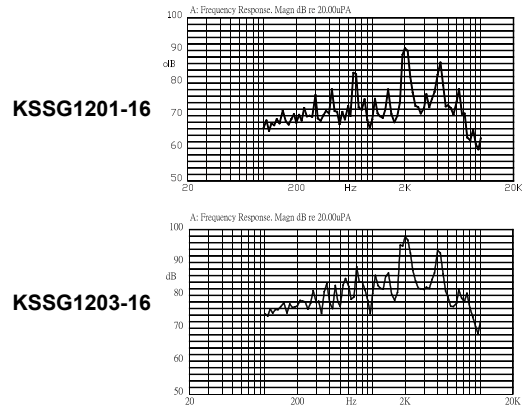


Dimension



Tol: ± 0.5 Unit: mm

Characteristic



Model Number	KSSG1201-16	KSSG1203-16
Rated Frequency (Hz)	2,048	
Rated Voltage (Vo-p)	1.5	3.5
Current Consumption (mA)	Max. 35	Max. 70
Sound Pressure Level (dB)	Min. 85 (Typical 91)@10cm	
Coil Resistance (Ω)	16.0 ± 2.4	
Operating Voltage Range (Vo-p)	1.0 ~ 2.0	3.0 ~ 5.0
Operating Temperature (°C)	-20 ~ +60	
Storage Temperature (°C)	-30 ~ +70	
Dimension (mm)	Φ12.0xH8.5	
Material	PBT (Black)	

B Magnetic Buzzer

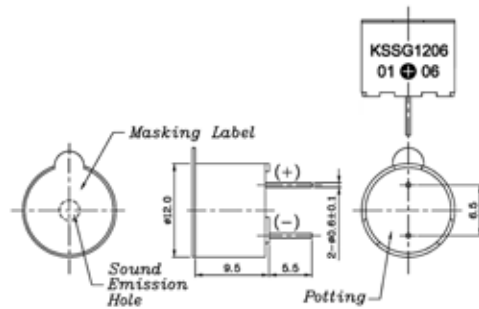
SMD Type-Φ12.0mm

MAGNETIC TRANSDUCER

KSSG1206

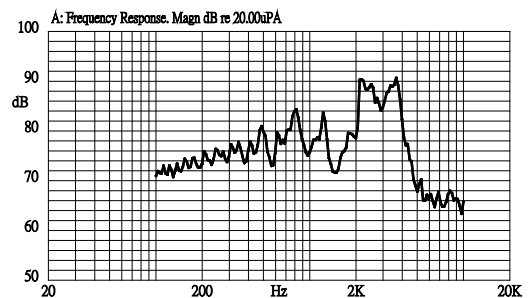


Dimension



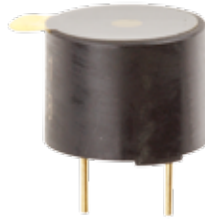
Tol: ± 0.5 Unit: mm

Characteristic



Rated Frequency (Hz)	2,400
Rated Voltage (Vo-p)	5.0
Current Consumption (mA)	Max. 60
Sound Pressure Level (dB)	Min. 85 (Typical 92)@10cm
Coil Resistance (Ω)	45.0 ± 6.7
Operating Voltage Range (Vo-p)	4.0 ~ 8.0
Operating Temperature (°C)	-20 ~ +60
Storage Temperature (°C)	-30 ~ +70
Dimension (mm)	Φ12.0×H9.5
Material	PPO (Black)

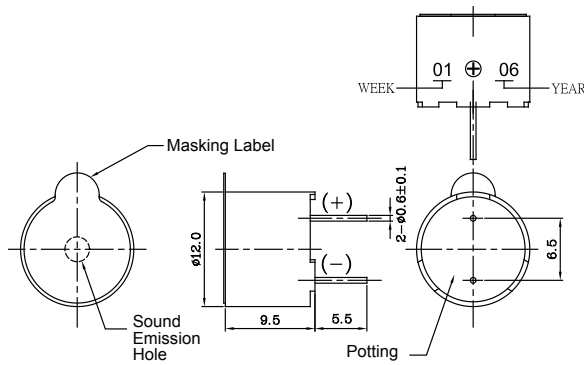
**KXG1201
KXG1205
KXG1212**



B
Magnetic Buzzer

Model Number	KXG1201	KXG1205	KXG1212
Rated Frequency (Hz)		2,400	
Rated Voltage (Vo-p)	1.5	5.0	12.0
Current Consumption (mA)	Max. 40	Max. 45	Max. 40
Sound Pressure Level (dB)	Min. 85 (Typical 88)@10cm		
Coli Resistance (Ω)	16.0 ± 2.4	47.0 ± 7.0	140.0 ± 21.0
Operating Voltage Range (Vo-p)	1.0 ~ 3.0	3.0 ~ 8.0	6.0 ~ 16.0
Operating Temperature (°C)	-30 ~ +70		
Storage Temperature (°C)	-40 ~ +85		
Dimension (mm)	Φ12.0xH9.5		
Material	PBT (Black)		

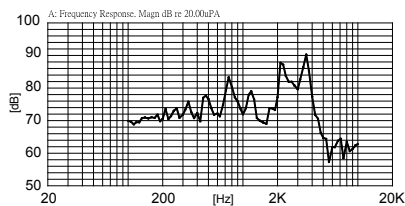
Dimension



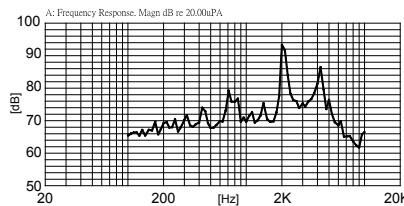
Tol: ± 0.5 Unit: mm

Characteristic

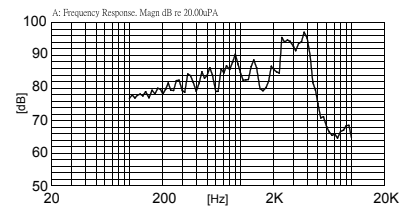
KXG1201



KXG1205



KXG1212



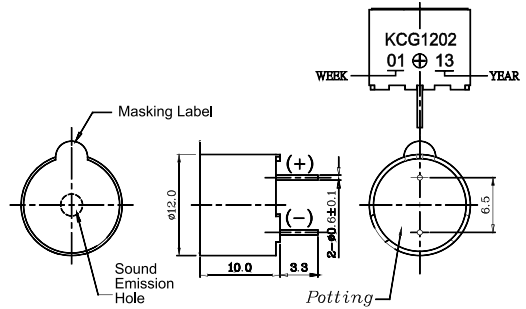
Pin Type-Φ12.0mm

MAGNETIC TRANSDUCER

KCG1202



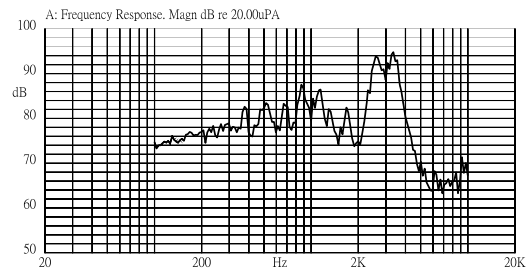
Dimension



Tol: ± 0.5 Unit: mm

Rated Frequency (Hz)	2,800
Rated Voltage (Vp-p / VDC)	2.0
Current Consumption (mA)	Max. 45
Sound Pressure Level (dB)	Min. 87 (Typical 92)@10cm
Coli Resistance (Ω)	16.0 ± 2.4
Operating Voltage Range (Vo-p)	1.5 ~ 2.5
Operating Temperature (°C)	-30 ~ +70
Storage Temperature (°C)	-40 ~ +85
Dimension (mm)	Φ12.0xH10.0
Material	PBT (Black)

Characteristic



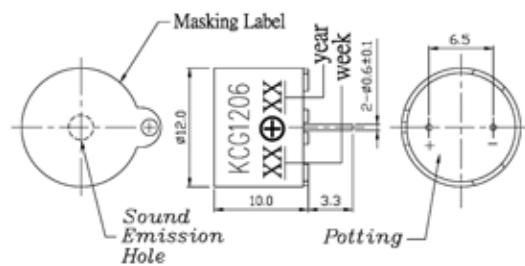
Pin Type-Φ12.0mm

MAGNETIC TRANSDUCER

KCG1206-GS



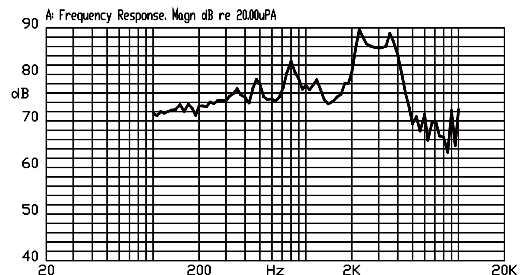
Dimension



Tol: ± 0.5 Unit: mm

Rated Frequency (Hz)	2,400
Rated Voltage (Vo-p)	5.0
Current Consumption (mA)	Max. 50
Sound Pressure Level (dB)	Min. 85 (Typical 91)@10cm
Coli Resistance (Ω)	40.0 ± 6.0
Operating Voltage Range (Vo-p)	4.0 ~ 8.0
Operating Temperature (°C)	-30 ~ +70
Storage Temperature (°C)	-40 ~ +85
Dimension (mm)	Φ12.0xH10.0
Material	PBT+15% GLASS (Black)

Characteristic

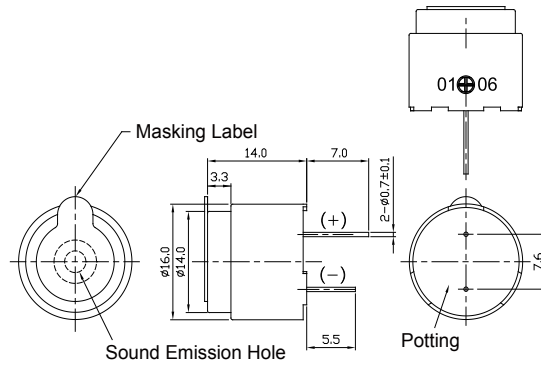


**KXG1601
KXG1606
KXG1612**



Model Number	KXG1601	KXG1606	KXG1612
Rated Frequency (Hz)		2,048	
Rated Voltage (Vo-p)	1.5	6.0	12.0
Current Consumption (mA)	Max. 20	Max. 50	Max. 40
Sound Pressure Level (dB)	Min. 80 (Typical 88)@10cm	Min. 85 (Typical 92)@10cm	Min. 85 (Typical 92)@10cm
Coil Resistance (Ω)	30.0 ± 4.5	50.0 ± 7.5	115 ± 17.2
Operating Voltage Range (Vo-p)	1.0 ~ 3.0	3.0 ~ 12.0	6.0 ~ 18.0
Operating Temperature (°C)		-20 ~ +60	
Storage Temperature (°C)		-30 ~ +70	
Dimension (mm)		Φ16.0xH14.0	
Material		PPO (Black)	

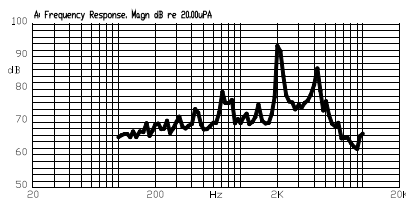
Dimension



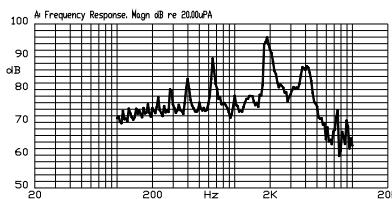
Tol: ± 0.5 Unit: mm

Characteristic

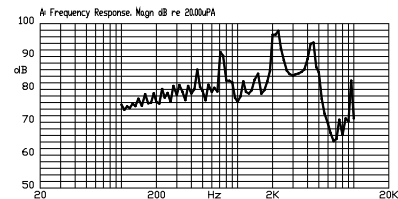
KXG1601



KXG1606



KXG1612



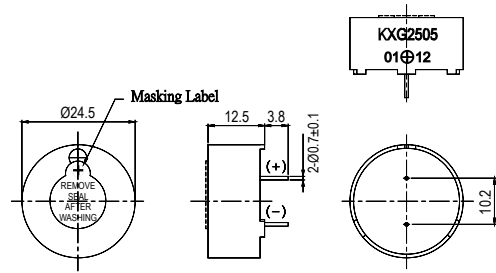
Pin Type-Φ24.5mm

MAGNETIC TRANSDUCER

KXG2505



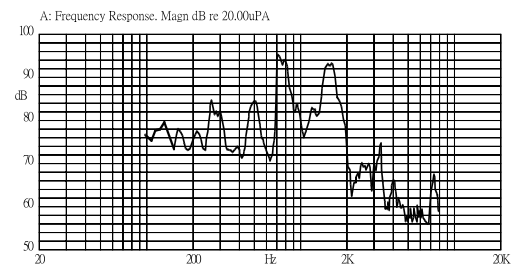
Dimension



Tol: ± 0.5 Unit: mm

Rated Frequency (Hz)	800
Rated Voltage (Vo-p)	5.0
Current Consumption (mA)	Max. 80
Sound Pressure Level (dB)	Min. 85 (Typical 89)@10cm
Coli Resistance (Ω)	30.0 ± 4.0
Operating Voltage Range (Vo-p)	4.0 ~ 6.0
Operating Temperature (°C)	-30 ~ +75
Storage Temperature (°C)	-40 ~ +85
Dimension (mm)	Φ24.5×H12.5
Material	PPO (Black)

Characteristic



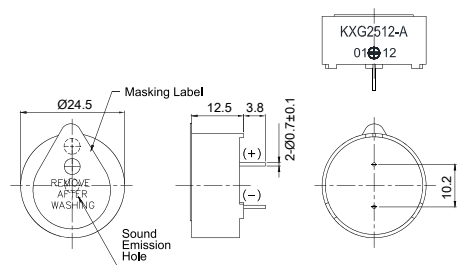
Pin Type-Φ24.5mm

MAGNETIC TRANSDUCER

KXG2512-A



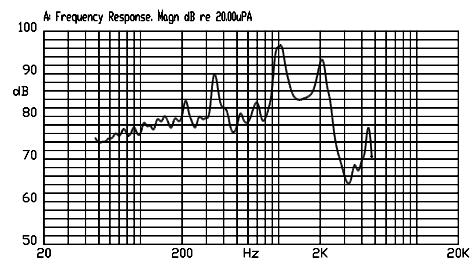
Dimension



Tol: ± 0.5 Unit: mm

Rated Frequency (Hz)	1,000 & 2,000
Rated Voltage (Vo-p)	12.0
Current Consumption (mA)	Max. 60
Sound Pressure Level (dB)	Min. 90 (Typical 95)@10cm
Coli Resistance (Ω)	115.0 ± 15.0
Operating Voltage Range (Vo-p)	10.0 ~ 14.0
Operating Temperature (°C)	-40 ~ +85
Storage Temperature (°C)	-40 ~ +85
Dimension (mm)	Φ24.5×H12.5
Material	PBT (Black)

Characteristic



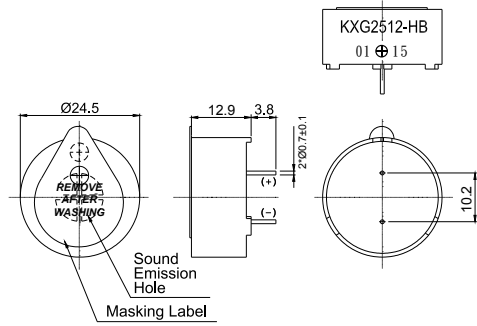
Pin Type-Φ24.5mm

MAGNETIC TRANSDUCER

KXG2512-HB

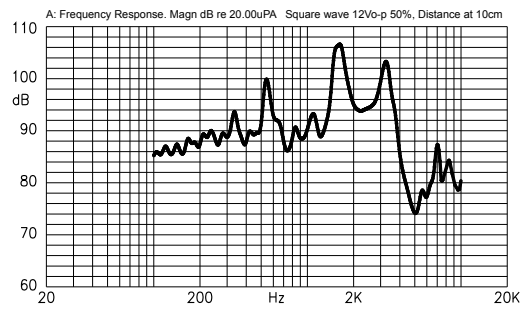


Dimension



Tol: ± 0.5 Unit: mm

Characteristic



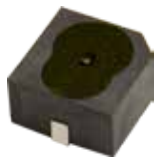
Rated Frequency (Hz)	1,500
Rated Voltage (Vo-p)	12.0
Current Consumption (mA)	Max. 60
Sound Pressure Level (dB)	Min. 102 (Typical 107)@10cm
Coli Resistance (Ω)	115.0 ± 15%
Operating Voltage Range (Vo-p)	10.0 ~ 14.0
Operating Temperature (°C)	-40 ~ +85
Storage Temperature (°C)	-40 ~ +85
Dimension (mm)	Φ24.5×H12.9
Material	PBT (Black)

B Magnetic Buzzer

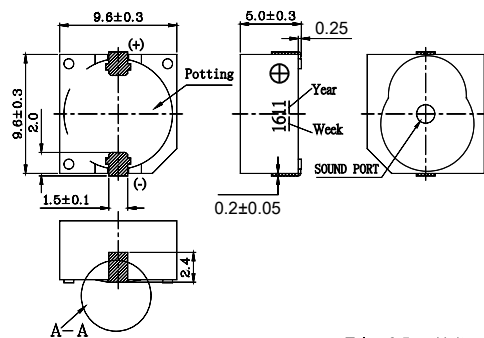
SMD Type

MAGNETIC INDICATOR

KTG0905CL KTG0912CL

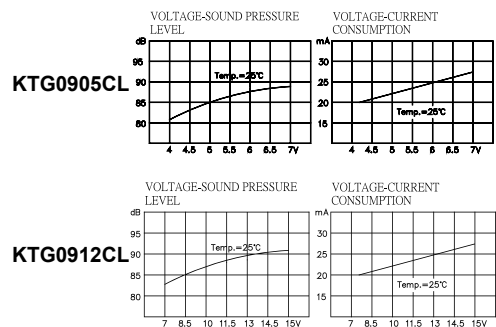


Dimension



Tol: ± 0.5 Unit: mm

Characteristic

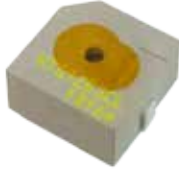


Model Number	KTG0905CL	KTG0912CL
Rated Frequency (Hz)	2,700 ± 300	
Rated Voltage (VDC)	5.0	12.0
Current Consumption (mA)	Max. 30	
Sound Pressure Level (dB)	Min. 80 (Typical 85)@10cm	Min. 85 (Typical 90)@10cm
Operating Voltage Range (VDC)	4.0 ~ 7.0	7.0 ~ 15.0
Operating Temperature (°C)	-40 ~ +85	
Storage Temperature (°C)	-40 ~ +85	
Dimension (mm)	L9.6xW9.6xH5.0	
Material	PPS (Black)	

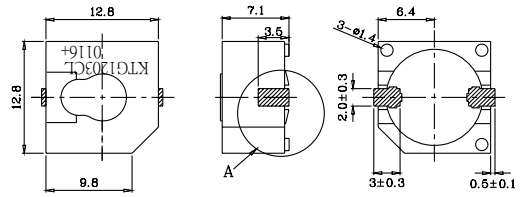
SMD Type

MAGNETIC INDICATOR

KTG1203CL



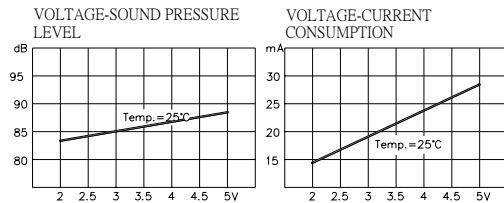
Dimension



Tol: ± 0.5 Unit: mm

Characteristic

Rated Frequency (Hz)	2,400 ± 400
Rated Voltage (Vo-p)	3.0
Current Consumption (mA)	Max. 30
Sound Pressure Level (dB)	Min. 82 (Typical 86)@10cm
Operating Voltage Range (Vo-p)	2.0 ~ 5.0
Operating Temperature (°C)	-30 ~ +70
Storage Temperature (°C)	-40 ~ +85
Dimension (mm)	L12.8xW12.8xH7.1
Material	PPS



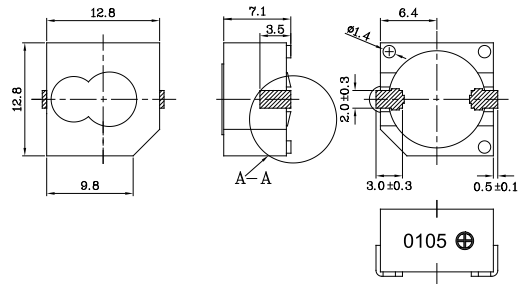
SMD Type

MAGNETIC INDICATOR

KTG1205CL KTG1212CL



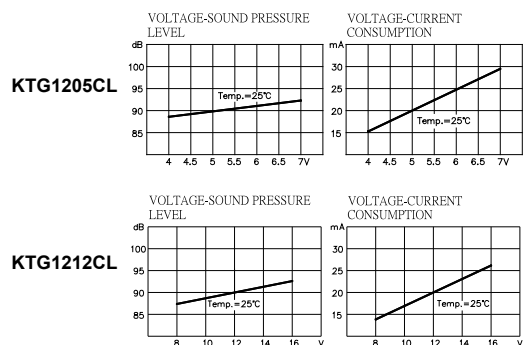
Dimension



Tol: ± 0.5 Unit: mm

Characteristic

Model Number	KTG1205CL	KTG1212CL
Rated Frequency (Hz)	2,400 ± 400	
Rated Voltage (VDC)	5.0	12.0
Current Consumption (mA)	Max. 30	
Sound Pressure Level (dB)	Min. 88 (Typical 92) @10cm	Min. 85 (Typical 90) @10cm
Operating Voltage Range (VDC)	4.0 ~ 7.0	8.0 ~ 15.0
Operating Temperature (°C)	-30 ~ +70	
Storage Temperature (°C)	-40 ~ +85	
Dimension (mm)	L12.8xW12.8xH7.1	
Material	PPS	



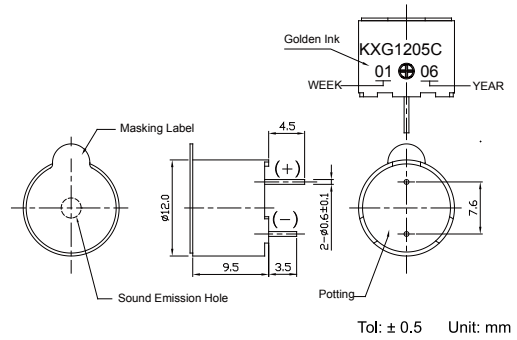
SMD Type

MAGNETIC INDICATOR

KTG1205C

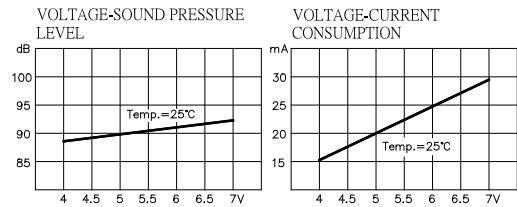


Dimension



Characteristic

Rated Frequency (Hz)	2,400 ± 300
Rated Voltage (Vo-p)	5.0
Current Consumption (mA)	Max. 30
Sound Pressure Level (dB)	Min. 90 (Typical 94)@10cm
Operating Voltage Range (Vo-p)	4.0 ~ 7.0
Operating Temperature (°C)	-30 ~ +70
Storage Temperature (°C)	-40 ~ +85
Dimension (mm)	L12.8xW12.8xH10.0
Material	PPS



B Magnetic Buzzer

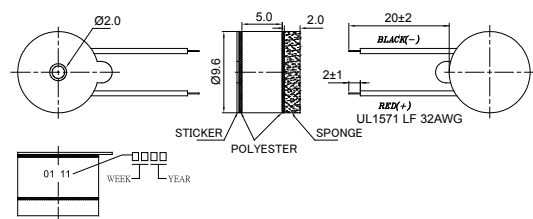
Wire Type-Φ9.6mm

MAGNETIC INDICATOR

KXG0905CW2

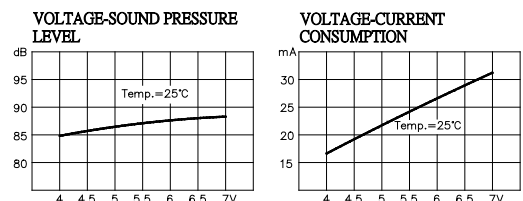


Dimension



Characteristic

Rated Frequency (Hz)	2,800 ± 200
Rated Voltage (VDC)	5.0
Current Consumption (mA)	Max. 35
Sound Pressure Level (dB)	Min. 83 (Typical 87)@10cm
Operating Voltage Range (VDC)	4.0 ~ 7.0
Operating Temperature (°C)	-30 ~ +70
Storage Temperature (°C)	-40 ~ +85
Dimension (mm)	Φ9.6xH5.0
Material	PBT (Black)



Tol: ± 0.5 Unit: mm

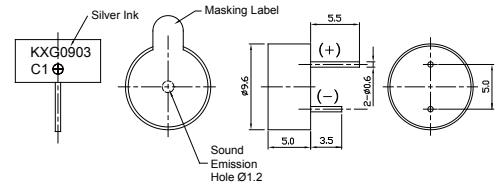
Pin Type-Φ9.6mm

MAGNETIC INDICATOR

KXG0903C1



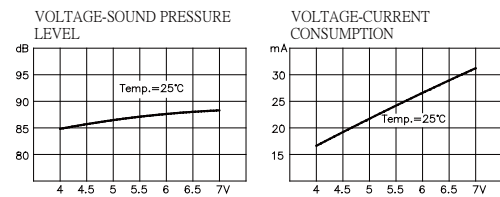
Dimension



Tol: ± 0.5 Unit: mm

Characteristic

Rated Frequency (Hz)	2,730 ± 300
Rated Voltage (VDC)	3.0
Current Consumption (mA)	Max. 35
Sound Pressure Level (dB)	Min. 80 (Typical 87)@10cm
Operating Voltage Range (VDC)	2.0 ~ 5.0
Operating Temperature (°C)	-20 ~ +60
Storage Temperature (°C)	-30 ~ +70
Dimension (mm)	Φ9.6xH5.0
Material	PPO



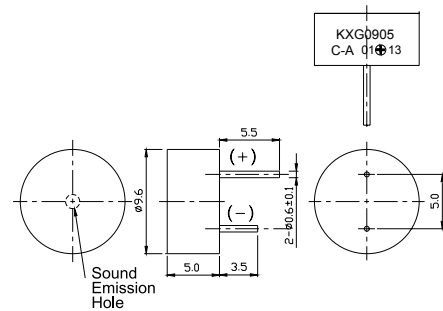
Pin Type-Φ9.6mm

MAGNETIC INDICATOR

KXG0905C-A



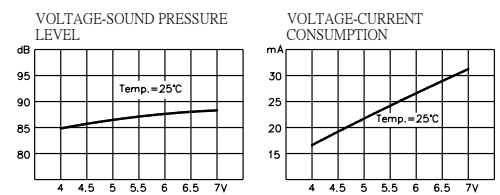
Dimension



Tol: ± 0.5 Unit: mm

Characteristic

Rated Frequency (Hz)	2,900 ± 200
Rated Voltage (VDC)	5.0
Current Consumption (mA)	Max. 35
Sound Pressure Level (dB)	Min. 80 (Typical 87)@10cm
Operating Voltage Range (VDC)	4.0 ~ 7.0
Operating Temperature (°C)	-30 ~ +70
Storage Temperature (°C)	-40 ~ +85
Dimension (mm)	Φ9.6xH5.0
Material	PBT (Black)



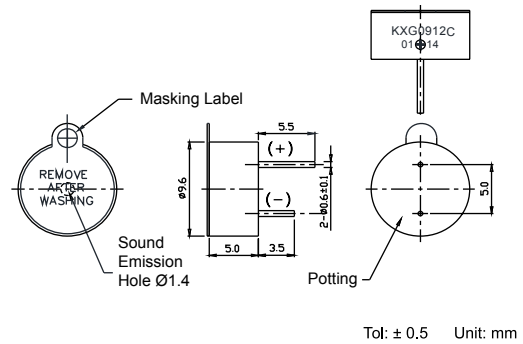
Pin Type-Φ9.6mm

MAGNETIC INDICATOR

KXG0912C

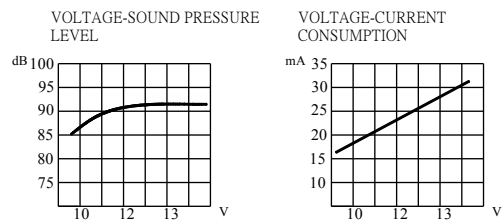


Dimension



Characteristic

Rated Frequency (Hz)	2,730 ± 400
Rated Voltage (VDC)	12.0
Current Consumption (mA)	Max. 30
Sound Pressure Level (dB)	Min. 85 (Typical 90)@10cm
Operating Voltage Range (VDC)	10.0 ~ 13.0
Operating Temperature (°C)	-20 ~ +70
Storage Temperature (°C)	-30 ~ +85
Dimension (mm)	Φ9.6xH5.0
Material	PBT (Black)



B Magnetic Buzzer

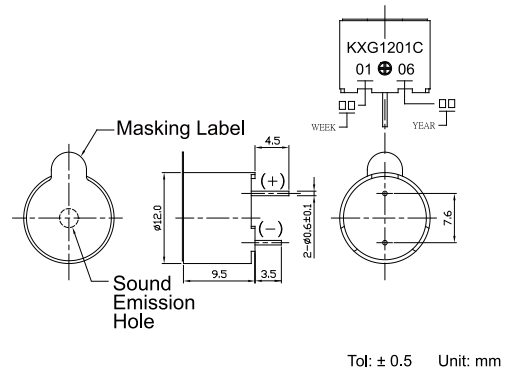
Pin Type-Φ12.0mm

MAGNETIC INDICATOR

KXG1201C

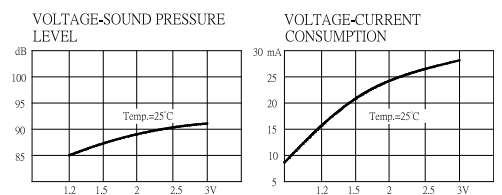


Dimension



Characteristic

Rated Frequency (Hz)	2,300 ± 300
Rated Voltage (VDC)	1.5
Current Consumption (mA)	Max. 30
Sound Pressure Level (dB)	Min. 80 (Typical 85)@10cm
Operating Voltage Range (VDC)	1.2 ~ 3.0
Operating Temperature (°C)	-30 ~ +70
Storage Temperature (°C)	-40 ~ +85
Dimension (mm)	Φ12.0xH9.5
Material	PBT+15% Glass (Black)



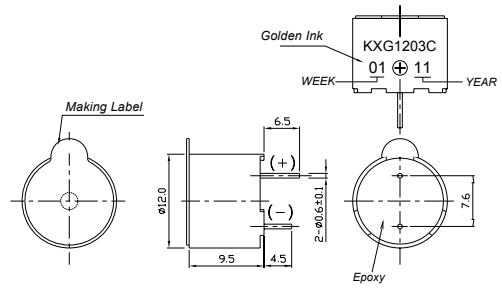
Pin Type-Φ12.0mm

MAGNETIC INDICATOR

KXG1203C

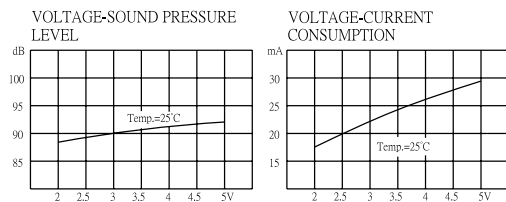


Dimension



Tol: ± 0.5 Unit: mm

Characteristic



Rated Frequency (Hz)	2,300 ± 400
Rated Voltage (VDC)	3.0
Current Consumption (mA)	Max. 30
Sound Pressure Level (dB)	Min. 85 (Typical 90)@10cm
Operating Voltage Range (VDC)	2.0 ~ 5.0
Operating Temperature (°C)	-30 ~ +70
Storage Temperature (°C)	-40 ~ +80
Dimension (mm)	Φ12.0xH9.5
Material	PBT+15% Glass (Black)

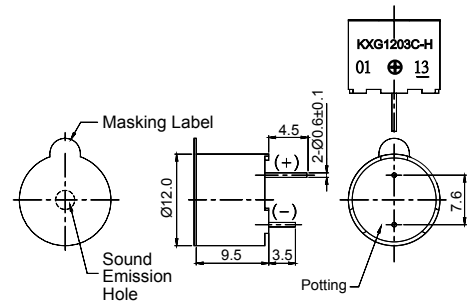
Pin Type-Φ12.0mm

MAGNETIC INDICATOR

KXG1203C-H

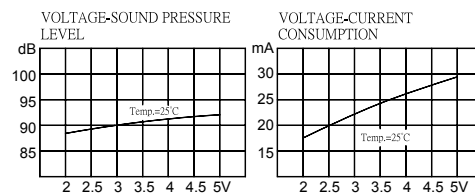


Dimension



Tol: ± 0.5 Unit: mm

Characteristic

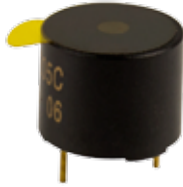


Rated Frequency (Hz)	2,300 ± 300
Rated Voltage (VDC)	3.0
Current Consumption (mA)	Max. 30
Sound Pressure Level (dB)	Min. 85 (Typical 94)@10cm
Operating Voltage Range (VDC)	2.0 ~ 5.0
Operating Temperature (°C)	-40 ~ +85
Storage Temperature (°C)	-40 ~ +85
Dimension (mm)	Φ12.0xH9.5
Material	PBT+15% Glass (Black)

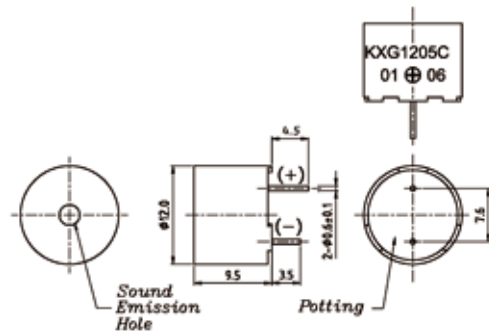
Pin Type-Φ12.0mm

MAGNETIC INDICATOR

KXG1205C



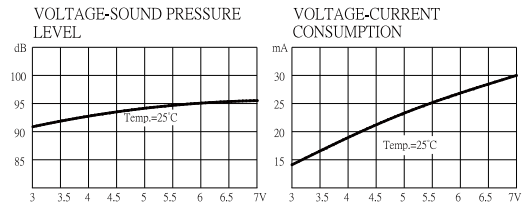
Dimension



Tol: ± 0.5 Unit: mm

Characteristic

Rated Frequency (Hz)	2,300 ± 300
Rated Voltage (VDC)	5.0
Current Consumption (mA)	Max. 30
Sound Pressure Level (dB)	Min. 85 (Typical 94)@10cm
Operating Voltage Range (VDC)	3.0 ~ 7.0
Operating Temperature (°C)	-40 ~ +85
Storage Temperature (°C)	-40 ~ +85
Dimension (mm)	Φ12.0xH9.5
Material	PBT+15% Glass (Black)



B Magnetic Buzzer

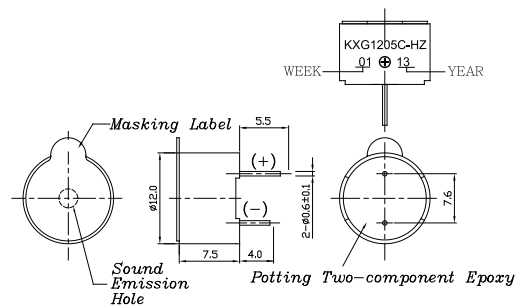
Pin Type-Φ12.0mm

MAGNETIC INDICATOR

KXG1205C-HZ



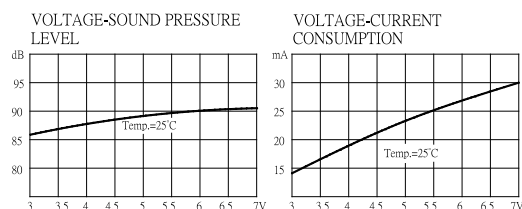
Dimension



Tol: ± 0.5 Unit: mm

Characteristic

Rated Frequency (Hz)	3,100 ± 300
Rated Voltage (VDC)	5.0
Current Consumption (mA)	Max. 30
Sound Pressure Level (dB)	Min. 83 (Typical 90)@10cm
Operating Voltage Range (VDC)	3.0 ~ 7.0
Operating Temperature (°C)	-20 ~ +70
Storage Temperature (°C)	-30 ~ +80
Dimension (mm)	Φ12.0xH7.5
Material	PBT+15% Glass (Black)



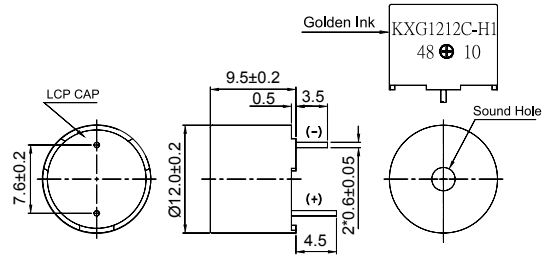
Pin Type-Φ12.0mm

MAGNETIC INDICATOR

KXG1212C-H1



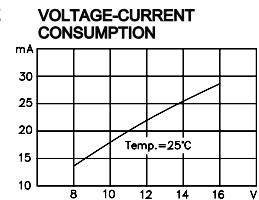
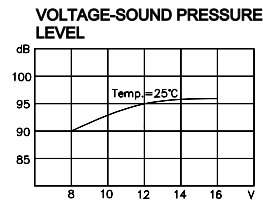
Dimension



Tol: ± 0.5 Unit: mm

Characteristic

Rated Frequency (Hz)	2,300 ± 300
Rated Voltage (VDC)	12.0
Current Consumption (mA)	Max. 35
Sound Pressure Level (dB)	Min. 95 (Typical 98)@10cm
Operating Voltage Range (VDC)	8.0 ~ 16.0
Operating Temperature (°C)	-40 ~ +85
Storage Temperature (°C)	-40 ~ +85
Dimension (mm)	Φ12.0xH9.5
Material	PPS (Black)



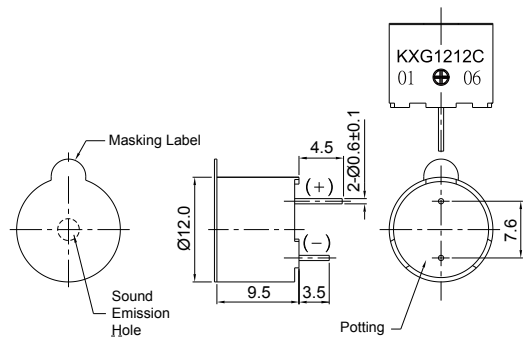
Pin Type-Φ12.0mm

MAGNETIC INDICATOR

KXG1212C



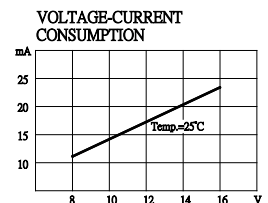
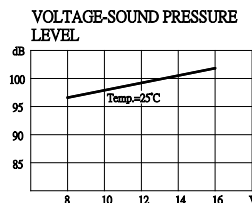
Dimension



Tol: ± 0.5 Unit: mm

Characteristic

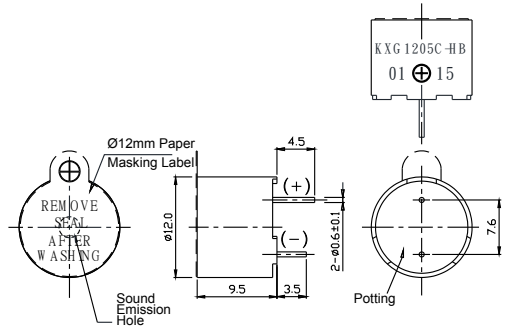
Rated Frequency (Hz)	2,300 ± 300
Rated Voltage (VDC)	12.0
Current Consumption (mA)	Max. 35
Sound Pressure Level (dB)	Min. 85 (Typical 94)@10cm
Operating Voltage Range (VDC)	8.0 ~ 16.0
Operating Temperature (°C)	-30 ~ +70
Storage Temperature (°C)	-40 ~ +85
Dimension (mm)	Φ12.0xH9.5
Material	PPO (Black)



KXG1205C-HB



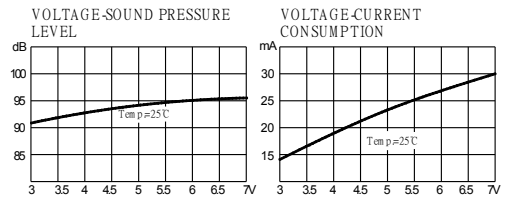
Dimension



Tol: ± 0.5 Unit: mm

Characteristic

Rated Frequency (Hz)	2,300 ± 300
Rated Voltage (VDC)	5.0
Current Consumption (mA)	Max. 30
Sound Pressure Level (dB)	Min. 85 (Typical 94)@10cm
Operating Voltage Range (VDC)	3.0 ~ 7.0
Operating Temperature (°C)	-30 ~ +70
Storage Temperature (°C)	-40 ~ +85
Dimension (mm)	Φ12.0xH9.5
Material	PBT+15% Glass (Black)



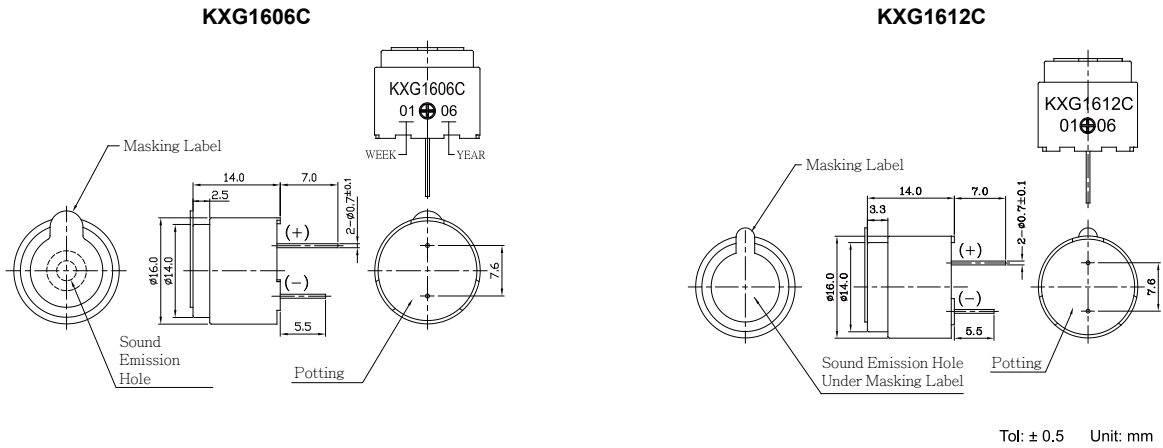
KXG1606C
KXG1612C



B Magnetic Buzzer

Model Number	KXG1606C	KXG1612C
Rated Frequency (Hz)	2,200 ± 300	
Rated Voltage (VDC)	6.0	12.0
Current Consumption (mA)	Max. 50	Max. 35
Sound Pressure Level (dB)	Min. 85 (Typical 92)@10cm	
Operating Voltage Range (VDC)	4.0 ~ 7.0	8.0 ~ 16.0
Operating Temperature (°C)	-20 ~ +60	
Storage Temperature (°C)	-30 ~ +70	
Dimension (mm)	Φ16.0xH14.0	
Material	PPO (Black)	

Dimension



Characteristic

