

SIGN	DATE	DESCRIPTION	APPROVER
△	03/27'13	Update the drawing	Jacky
△	08/01'13	Change the view	Jacky

THIS IS CAD DRAWING, DO NOT REVISE MANUALLY!!!

Material:

- Item 1 Terminal housing: High temp. polyamide (UL94V-0)
- Item 2 Long solder pin: PhBz, Tin plated
- Item 3 Short solder pin: Brass .Tin plated

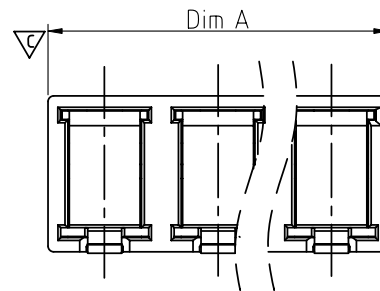
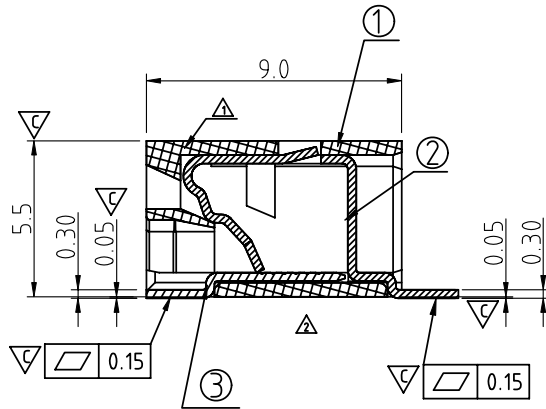
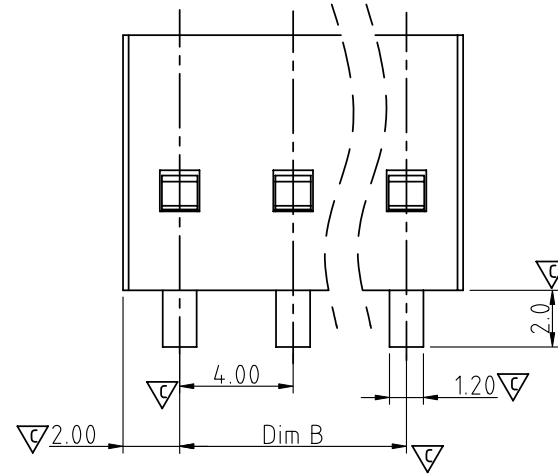
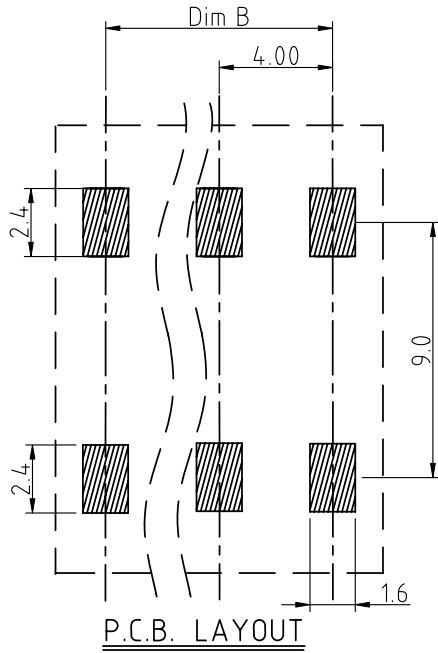
Electrical cULus

- Voltage rating: 300VAC
- Current rating: 5A
- Wire range:
- Solid wire(AWG): 18-22
- Stranded wire(AWG): 18-22
- Wire strip length: 6mm
- Withstanding Voltage: 2.5KV
- Operating temperature: -45°C to +65°C
- Soldering temperature: 280°C/10 Sec
- Safety Approval:
- Critical dimension: ∇

NQ xx 2 1 x 0 xxxx G

No. OF POLES
02: 2 POLES
03: 3 POLES
15: 15POLES

G RoHS compliant
(lead<4%)
In copper Alloy
0000: "@ " Logo (Standard)
000A: "ANYTEK" Mark
Any special item by
customer request.
please contact sales
department.



N=Number of poles

Dim.A	N×4.0
Dim.B	(N-1) × 4.0

POLES	TOLERANCE
2P - 5P	-0.20/+0.20
6P -15P	-0.30/+0.30

ANYTEK				CUSTOMER COPY			
ALL RIGHTS RESERVED. REPRODUCTION OR ISSUE TO THIRD PARTIES IN ANY FORM WHATSOEVER IS NOT PERMITTED WITHOUT WRITTEN AUTHORITY FROM THE PROPRIETOR. PROPERTY OF ANYTEK TECHNOLOGY CO., LTD							
TITLE		NQ 4.0mm Series (SMT)					
PART NO.		NQxx21x0xxxxG		DWG NO.		8NQ0101	
APPROVED		CHECKED		DESIGNED		DRAWN	
		Jacky 2013/08/01		Jacky 2013/08/01			
				CUST NO.		Tolerance	
				UNIT: mm		X. ±0.50	
				SCALE: NONE		X.X ±0.30	
				SHEET: 01/01		X.XX ±0.10	
				REV.: A3		X° ±1°	