

SPEC NO.	SP03AB15923-0330	ISSUED DATE	2012.10.30	PUBLISHED BY
PRODUCT NAME	PA025CQ0003	VERSION	d01	
		PAGE	1/8	

SPECIFICATION

SPEC NO. : SP03AB15923-0330
PART NO. : 03A61B690010420
PRODUCT NAME : PA025CQ0003
DESCRIPTION : Patch Antenna(25x25x2.0mm)
DESCRIPTION : Halogen Free Compliant Product

REVISION STATUS

VERSION	DATE	PAGE	REVISION DESCRIPTION	PREPARED	CHECKED	APPROVED
d01	2012.10.30	Whole	New Issued.	徐嫚君	江哲宏	黄信嘉

Prepared By	Checked By	Approved By

SPEC NO.	SP03AB15923-0330	ISSUED DATE	2012.10.30	PUBLISHED BY
PRODUCT NAME	PA025CQ0003	VERSION	d01	
		PAGE	2/8	

CIROCOMM TECHNOLOGY CORP.

PART NUMBER : 03A61B690010420

1 SCOPE

This specification covers the dielectric antenna for GPS+GLONASS.

2 Name of the product

This product is named "Patch Antenna" .

3 Electrical characteristics

3-1 Electrical characteristics of antenna

The antenna has the electrical characteristics given in Table 1 under the cirocomm standard installation conditions shown in the figure in Appendix

Table 1

No	Parameter	Specification	Notes
1	Range Of Receiving Frequency	GPS : 1575.42 ±1.023 MHz GLONASS : 1602±5MHz	
2	Center Frequency	1575MHz ± 3MHz	
3	Bandwidth	12MHz min	Return Loss ≤ -10dB
4	VSWR	1.5 max	Center Frequency
5	Gain at Zenith	GPS : -1 dBi GLONASS : 0.5dBi	
6	Gain at 10° Elevation	---	
7	Axial Ratio	---	
8	Polarization	RHCP	Right Hand Circular Polarization
9	Impedance	50 Ohm	
10	Frequency Temperature Coefficient (τf)	0 ± 20ppm / °C	-40°C to +105°C
11	Operating Temperature		-40°C to +105°C

4 Environmental conditions

4-1 Operating conditions

The antenna has the electrical characteristics given in Tables 1 in the temperature range of -40°C to +105°C and under the environmental conditions of +40°C and 0-95% r.h.



This document is held by Cirocomm, cannot be reproduced without permission .

SPEC NO.	SP03AB15923-0330	ISSUED DATE	2012.10.30	PUBLISHED BY
PRODUCT NAME	PA025CQ0003	VERSION	d01	
		PAGE	3/8	

4-2 Storage temperature range

The storage temperature range of product is -40°C to +105°C

4-3 Feed pin temperature range

Maximum temperature for soldering of feed pin is +290°C for 3 second.

5 Reliability tests

5-1. Low-temperature test

Expose the specimen to -40 °C for 400 hours and then to normal temperature/humidity for 24 hours or more. After this test, examine its appearance and functions.

5-2 High-temperature test

Expose the specimen to +105 °C for 400 hours and then to normal temperature/humidity for 24 hours or more. After this test, examine its appearance and functions.

5-3 High-temperature/high-humidity test

Subject the object to the environmental conditions of +60°C and 90-95% r.h. for 96 hours, then expose to normal temperature/humidity for 24 hours or more. After this test, examine its appearance and functions.

5-4 Thermal shock test

Subject the object to cyclic temperature change (-40°C, 2 hours ↔ +85 °C , 2 hours) for 100 cycles, the expose to normal temperature/humidity for 24 hours or more.

5-5 Vibration test

5-5-1 Sinusoidal vibration test

Subject the object to vibrations of 5 to 200 to 5Hz swept in 10 minutes, 4.5G at maximum (2mm amplitude), in X and Y directions for two hours each and in Z direction for four hours. After this test, examine its appearance functions.

5-5-2 Vibration test in packaged condition

Subject the object, which is packaged as illustrated, to vibrations of 15 to 60 to 15Hz swept in 6 minutes, 4G at maximum (2mm amplitude at maximum), applied in X, Y and Z directions for two hours each, i.e. six hours in total. After this test, examine its appearance and functions.

5-6 Free fall test in packaged condition

Drop the object, which is packaged as illustrated, to a concrete surface from the height of 90 cm, on one comer, three edges and six faces once each, i.e. 10 times in total. After this test, examine its appearance and functions.



SPEC NO.	SP03AB15923-0330	ISSUED DATE	2012.10.30	PUBLISHED BY
PRODUCT NAME	PA025CQ0003	VERSION	d01	
		PAGE	4/8	

6 Inspection

As for the examination during mass production, we place the antenna in the production fixture individually, using the network analyzer to compare its central frequency, bandwidth, and return loss with that of the golden sample.

7 Test Record

A Copy of test record filled with following contents shall be provided at time of delivery.

7-1 Quantity of delivery

7-2 Measurement of electrical characteristics

Following data at normal temperature obtained by the method described in section 19.

7-3 Temperature and humidity of test

Quantity for sampling inspection shall be $n=5$ for any lot. In case quantity per lot is less than 5, the whole lot shall be inspected.

8 Warranty

If any defect occurs from the product during proper use within a year after delivery, it will be repaired or replaced free of charge.

9 Other

Any question arising from this specification manual shall be solved by arrangement made by both parties.

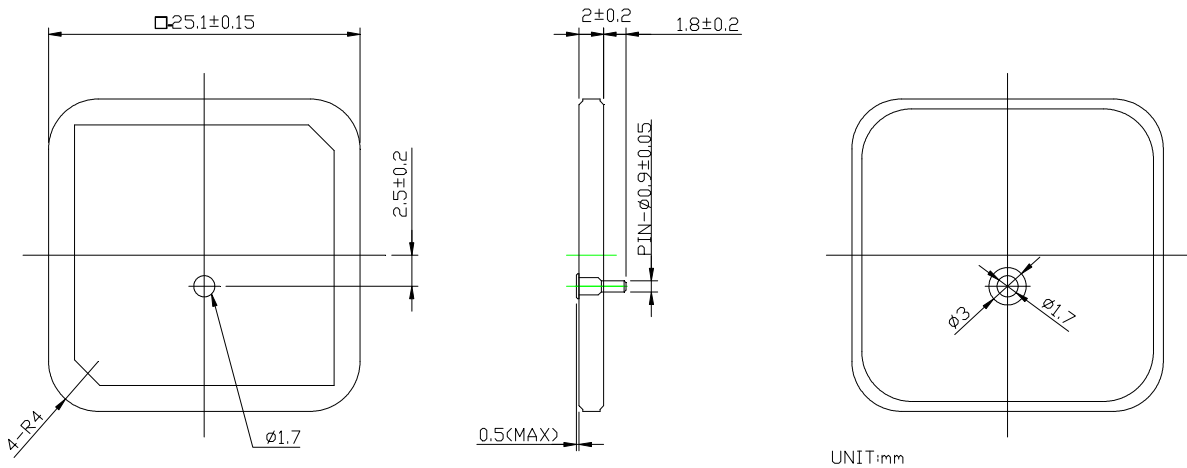
10 Precautions for use

- Antenna pattern use a silver electrode.
- Please don't use the corrosion gas (sulfur gas, chlorine gas) in the atmosphere.
- Please don't direct solder onto the silver electrode of Antenna pattern.



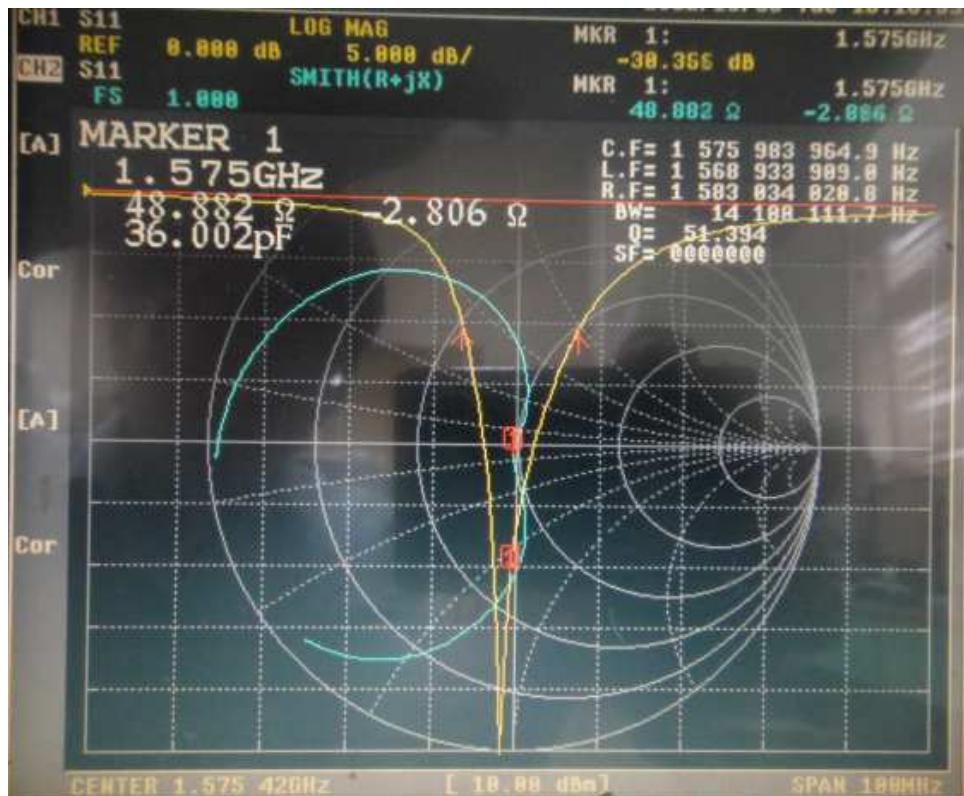
SPEC NO.	SP03AB15923-0330	ISSUED DATE	2012.10.30	PUBLISHED BY
PRODUCT NAME	PA025CQ0003	VERSION	d01	
		PAGE	5/8	

11. Shape and Dimension



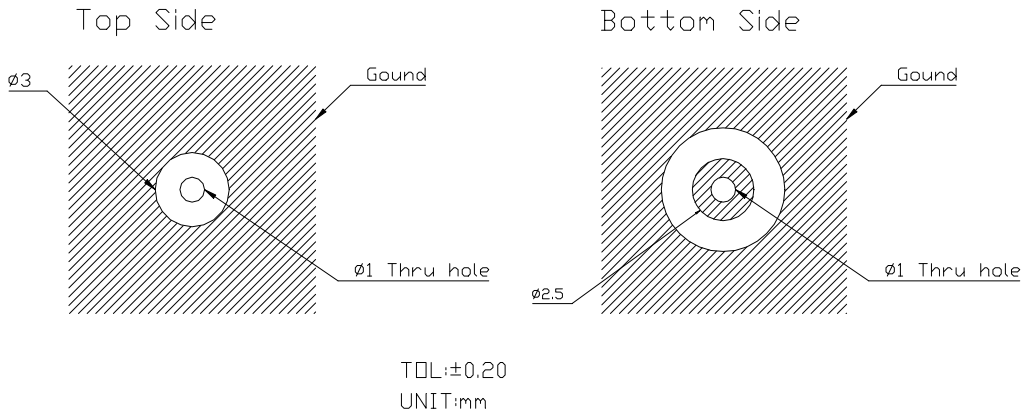
12. Typical Electrical Characteristics (T=25°C)

Return Loss, SWR, Impedance, measured on the test fixture.

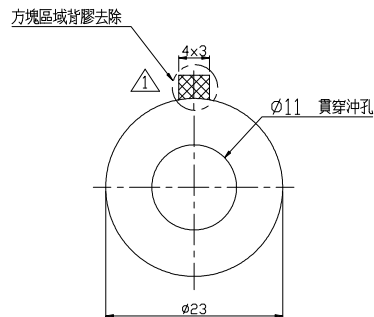


SPEC NO.	SP03AB15923-0330	ISSUED DATE	2012.10.30	PUBLISHED BY
PRODUCT NAME	PA025CQ0003	VERSION	d01	
		PAGE	6/8	

13. Layout Dimension

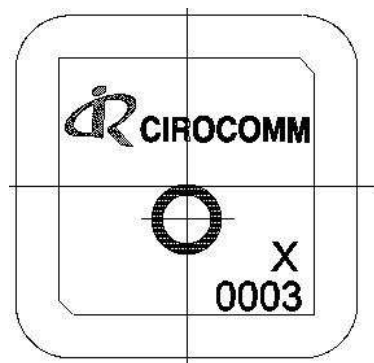


14. Tape Dimension



- 備註: 1.NITTO: NO.5015
2.Double-coated adhesive tape for industrial use
3.Thickness: 0.12mm

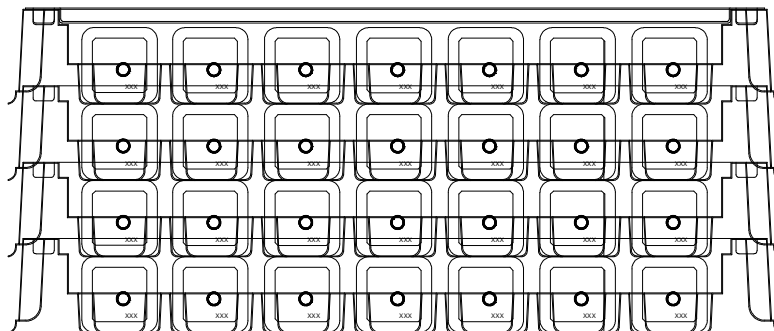
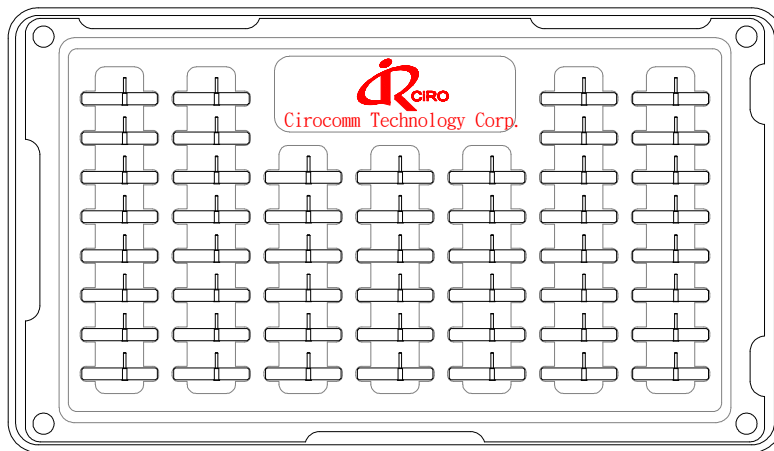
15. Mark



NOTE:
X: manufacture location
T: CIROCOMM TAINAN
L: CIROCOMM LOROM

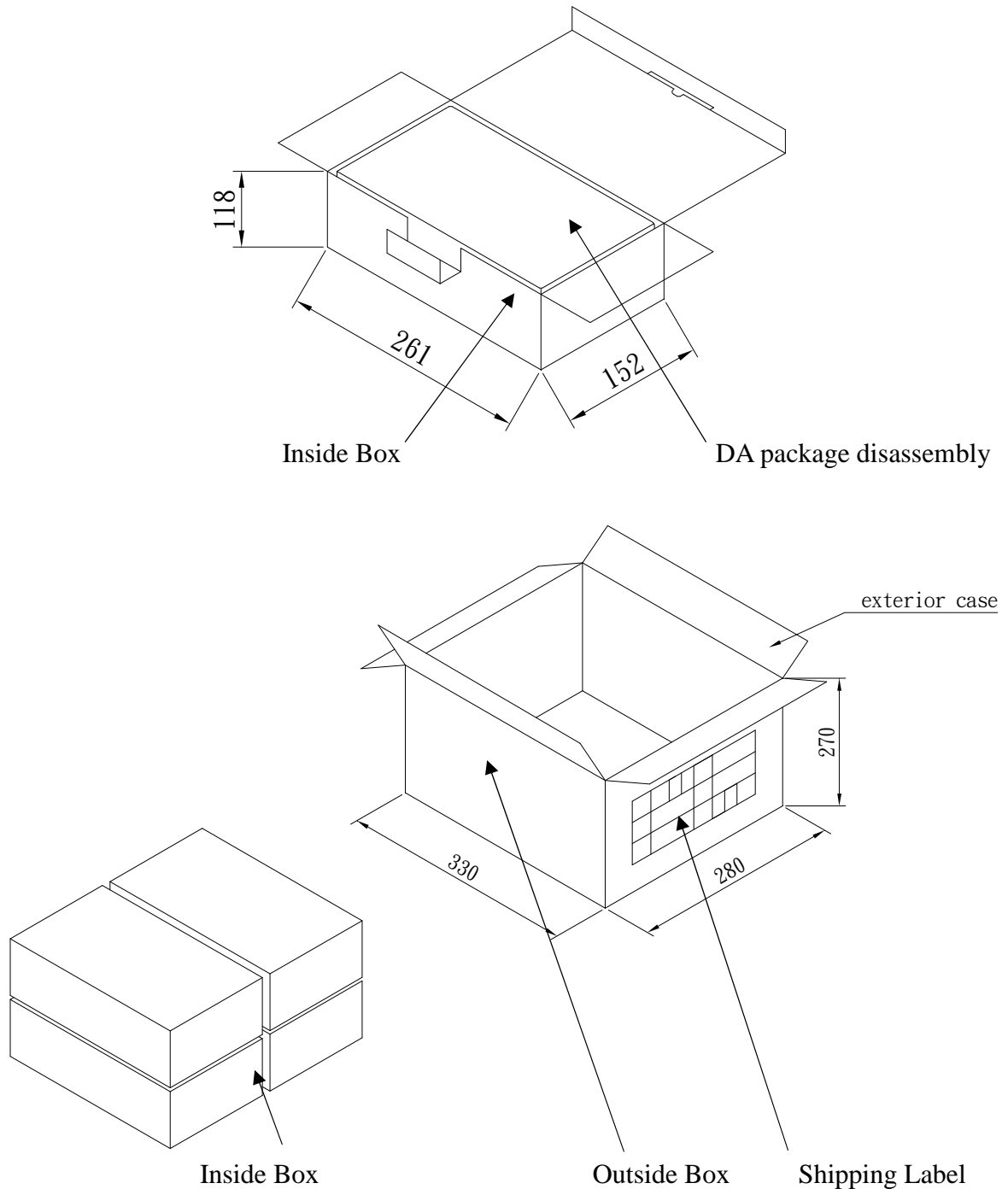
SPEC NO.	SP03AB15923-0330	ISSUED DATE	2012.10.30	PUBLISHED BY
PRODUCT NAME	PA025CQ0003	VERSION	d01	
		PAGE	7/8	

16. DA package disassembly



SPEC NO.	SP03AB15923-0330	ISSUED DATE	2012.10.30	PUBLISHED BY
PRODUCT NAME	PA025CQ0003	VERSION	d01	
		PAGE	8/8	

17. Packing



客戶訂單 Cust P/O#		客戶 Cust		太盟料號 CIROCOMM P/N#		批號 LOT#	
客戶料號 Cust Item#				品名規格 Item.SPEC			
廠商名稱 MANUFACTURER	太盟光電科技股份有限公司 CIROCOMM TECH. CORP.			出貨日期 DELIVERY DATE		數量 QTY.	

