

VerIO™ – Versatile IO system for Indoor and Outdoor applications

Product presentation

Nov. 2017

Amphenol Information Communications
and Commercial Products

 **FCi Basics**

Amphenol ICC

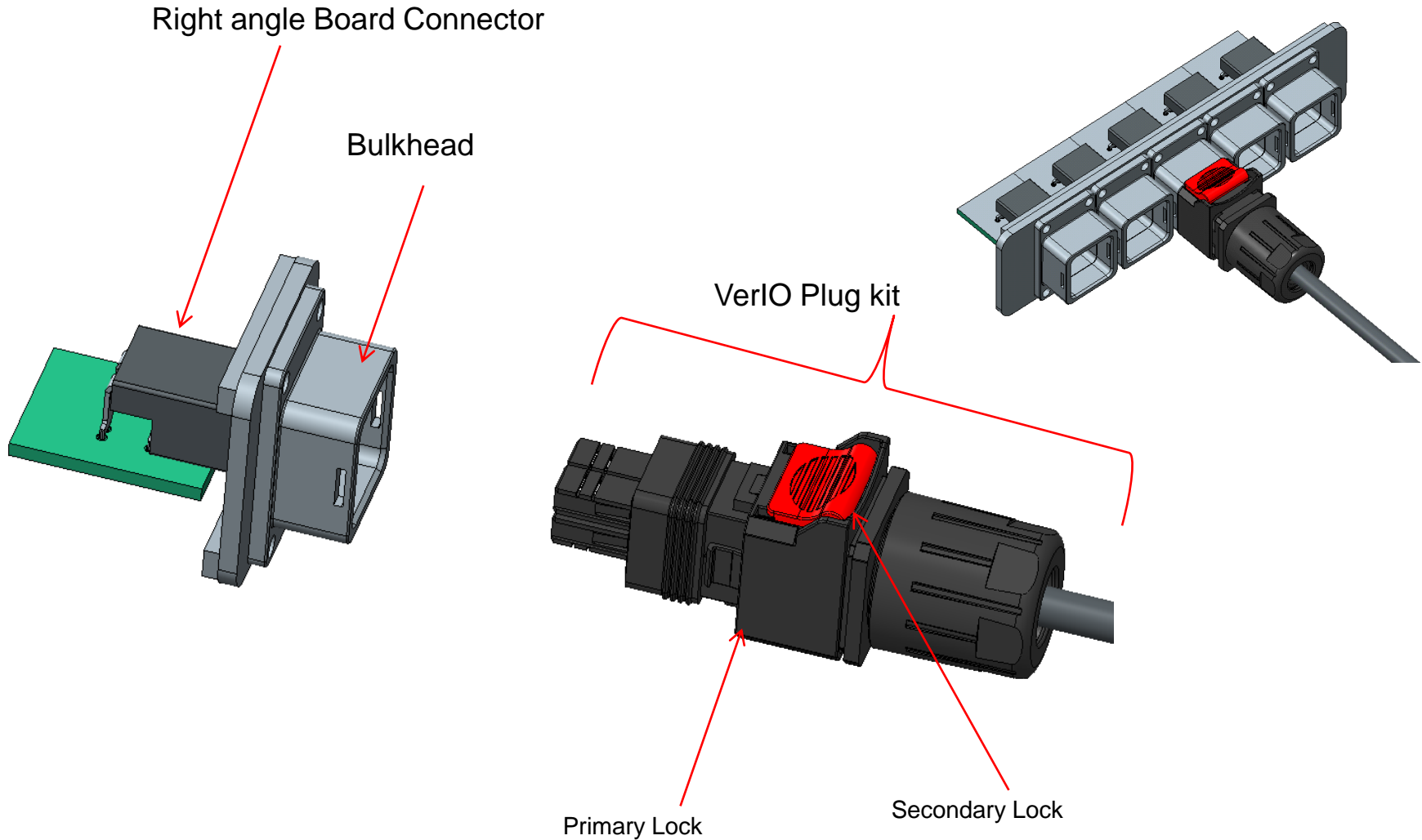
VerIO™ value proposition

Indoor or Outdoor IO environments

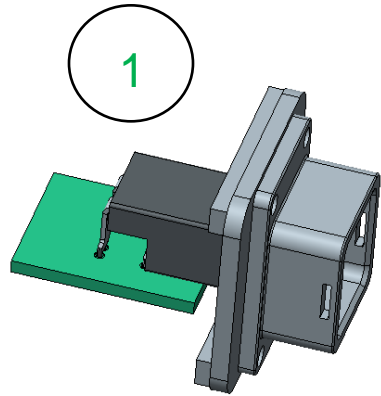
- Product
 - VerIO™ is a versatile and compact I/O system
 - It is easy to install
 - Ideal for use in both Indoor and Outdoor environments
- Key features
 - Weather proof – IP67, UV resistant
 - Push-pull locking and lightweight
 - Robust and cost-effective
 - Small form factor
 - Multiple standard connector interfaces
 - Plug assembly or field terminable kit option
- Range
 - Versatile with multiple standard interfaces: - RJ45, Ethernet/ Signal, Power, Hybrid



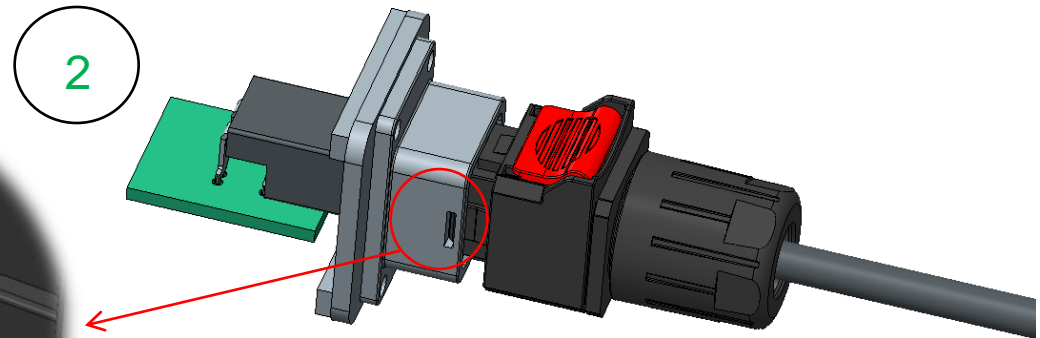
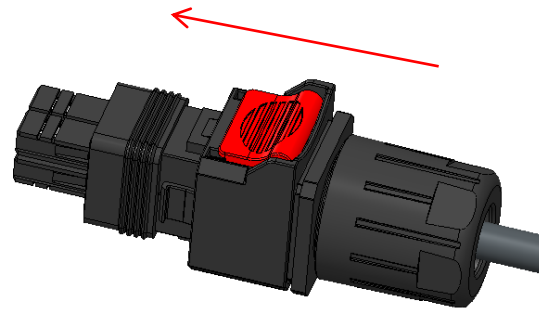
Feature	Benefit
Small form factor	Minimum space required in both vertical & horizontal directions
Locking mechanism	Push pull type movement facilitates space savings, secure secondary locking and also easy to operate
Weather Proof	Withstands harsh environment
Modular	Accommodate multiple standard connector interfaces
Robust Design	Wear and tear resistant and offers increased durability
Lightweight	Ease of installation
Cable termination	Field termination or Factory assembly flexibility



VerIO™ mating over view



Move Plug kit into the Bulkhead

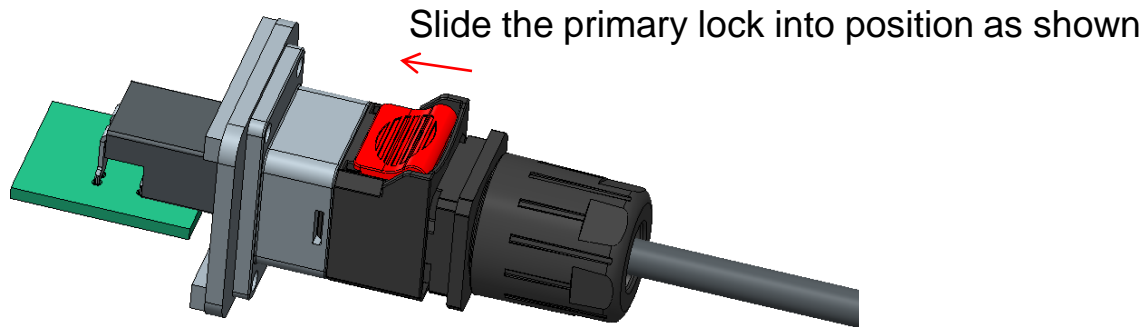


VerIO Plug kit latch locked into the Bulkhead

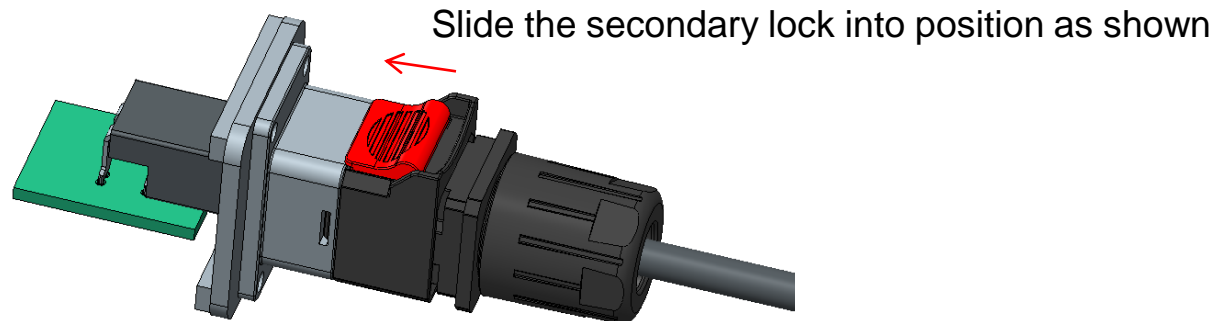
VerIO™ locking feature

Primary & Secondary locking

3



4



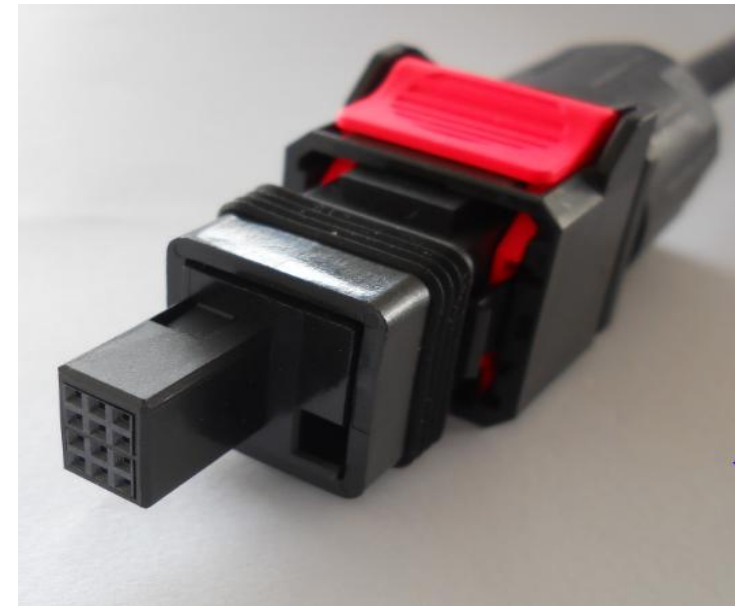
- Compatible with any RJ45 cable assembly
- Mating with RJ 45 tab down socket
- Options for customers based on the requirement – Cat 5e, Cat 6
- Field installable, Standard patch chords & custom length cables
- Factory termination



- 2, 3 or 4 position
- Plug and Mating Right angle board connector
- Up to 20 Amps per contact per 2.5mm sq.wire (14AWG) or 16 Amps per 1.5mm sq. wire (16AWG)
- Field mountable or factory certified standard cable assembly
- Hand tools for termination available



- High performance signal & best in class current rating
 - Plug and mating Right angle board connector
 - Contact rating of 1.5Amps / pin & Cat 5e performance
 - 4 pair, 8 signal contacts. Can scale up to 12 contacts
 - Resistivity to over voltages
 - Clearance and creepage distances comply to ANSI requirements
 - Custom signal pinning option
 - Cable from solid wire AWG 30-28 & 26-24 (IDC process)
 - Field terminable or factory mountable



- **High performance hybrid : signal & power**
 - Plug and mating Right angle board connector
 - High speed Data (Cat 5e, Cat 6) and 2 DC power
 - Current rating : 8 pos. @1.5A/pin and 2 pos. DC (up to 20A)
 - Resistivity to over voltages
 - Clearance and creepage distances comply to ANSI requirements
 - Field or factory termination



Amphenol ICC

Thank you!