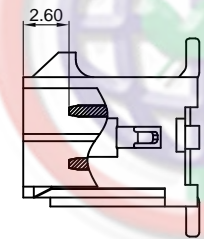
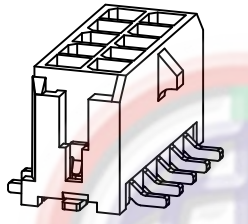
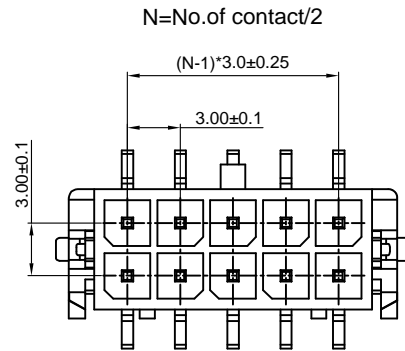


The information provided herein is from CONNELY Electronic Co., Ltd. and is confidential. Any disclosure to a party other than the recipient is prohibited. The intellectual properties and its rights contained herein, including but not limited to, trademarks, patents, copyrights, trade secrets, and technical know-how, are owned exclusively by CONNELY or its affiliates. Unauthorized use or reproduction of any part of this document is strictly prohibited. CONNELY may enforce its intellectual property rights at its own discretion, failures or delays to exercise such rights does not constitute a waiver of such rights.

REV.	DESCRIPTION	DRAWN	CHECKED	APPROVED
A	NEW RELEASE	JLZ 03/11/16'	HZW 03/11/16'	LJC 03/11/16'
B	DRAWING UPDATE	JLZ 03/05/20'		



NOTES:

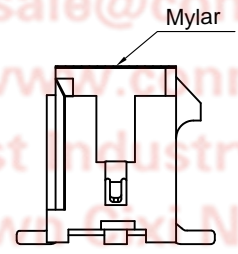
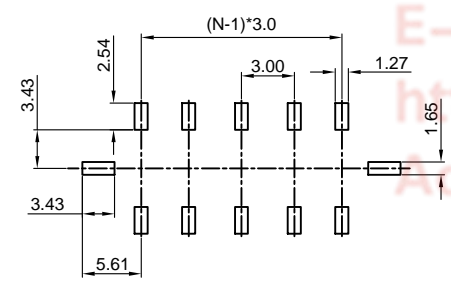
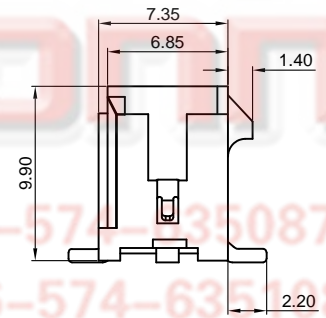
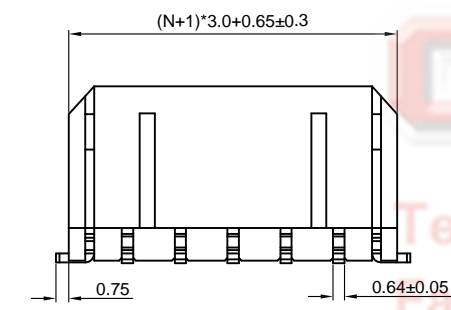
1. MAIN SPECIFICATIONS

- . Housing material: LCP
- . Rated voltage: 250V
- . Rated current: 3A
- . Contact resistance: 30mΩ max
- . Insulation resistance: 1000MΩ min
- . Withstanding voltage: 1000V, AC 1 minute
- . Temperature range: -25°C ~ +85°C

2. PRODUCT NUMBER CODE:

DS1073-07 - X X X X X X

- Packing type
T: Tray
R: Tape on reel
- Housing Color
B: Black
- Contact Plating
6: Tin
- Mounting type
S: Upright type
- Connector type
M: Male
- No. of contact
2x1~2x12



RECOMMEND PCB LAYOUT

For only tape on reel

GENERAL TOLERANCE		ANGLE TOLERANCE	
X.	±0.60	X.	±5°
.X	±0.38	.X	±3°
.XX	±0.25	.XX	±2°

DRAWING TYPE	CUSTOMER		
SCALE	1:1	SHEET	1 OF 2
DRAWING NO.	C-DS1073-07-XXXXX-B		

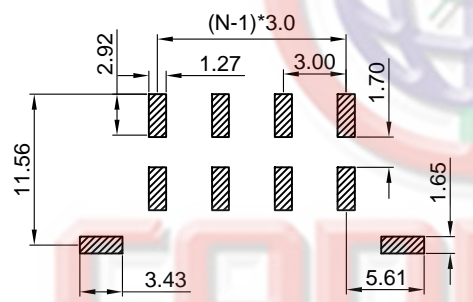
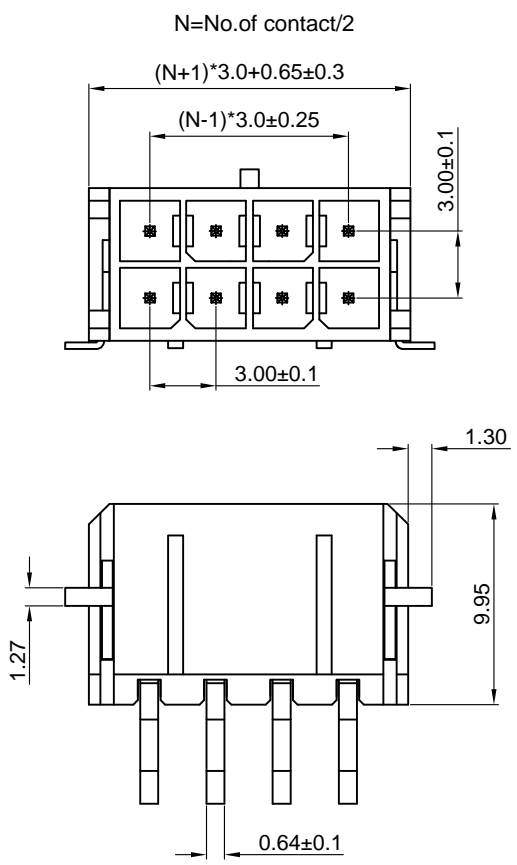
PROJECTION	TITLE
UNITS	3.0mm Micro ATX Connector
SHEET SIZE	Upright SMT Type
	SERIES DS1073-07 SERIES

晨翔电子有限公司
 CONNELY CONNELY ELECTRONIC CO. LTD

Dept	
Qty	
DC	1
ED	1
IE	1
ISO	1
PD	1
R&D	1
SD	1
QA	1
QC	1
QE	1

REV.	DESCRIPTION	DRAWN	CHECKED	APPROVED
A	NEW RELEASE	JLZ 03/11/16'	HZW 03/11/16'	LJC 03/11/16'
B	DRAWING UPDATE	JLZ 03/05/20'		

The information provided herein is from CONNLY Electronic Co., Ltd. and is confidential. Any disclosure to a party other than the recipient is prohibited. The intellectual properties and its rights contained herein, including but not limited to, trademarks, patents, copyrights, trade secrets, and technical know-how, are owned exclusively by CONNLY or its affiliates. Unauthorized use or reproduction of any part of this document is strictly prohibited. CONNLY reserves the right to make changes to this drawing without notice and to exercise such rights as a matter of such rights, its use in any format or manner. CONNLY may enforce its intellectual property rights at its own discretion, failures or delays in exercising such rights does not constitute a waiver of such rights.



RECOMMEND PCB LAYOUT

Tel: 86-574-63508787
 Fax: 86-574-63510817
 E-mail: sale@connfly.com
 http://www.connfly.com
 Add: East Industry Zone KuangYan
 Town Cixi Ningbo China
 P.C: 315333

NOTES:

1. MAIN SPECIFICATIONS
 - . Housing material: LCP
 - . Rated voltage: 250V
 - . Rated current: 3A
 - . Contact resistance: 30mΩ max
 - . Insulation resistance: 1000MΩ min
 - . Withstanding voltage: 1000V, AC 1 minute
 - . Temperature range: -25°C ~ +85°C

2. PRODUCT NUMBER CODE:

DS1073-07 - X X X X X X

- Packing type
T: Tray
R: Tape on reel
- Housing Color
B: Black
- Contact Plating
6: Tin
- Mounting type
R: Horizontal type
- Connector type
M: Male
- No. of contact
2x1~2x12

GENERAL TOLERANCE		ANGLE TOLERANCE		PROJECTION		TITLE	3.0mm Micro ATX Connector	
X.	±0.60	X.	±5°	UNITS	mm	Horizontal SMT Type		
.X	±0.38	.X	±3°	SHEET SIZE	A4	SERIES	DS1073-07 SERIES	
.XX	±0.25	.XX	±2°	晨翔电子有限公司 CONNLY ELECTRONIC CO., LTD				
DRAWING TYPE		CUSTOMER						
SCALE	1:1	SHEET	2 OF 2					
DRAWING NO.		C-DS1073-07-XXXXX-B						