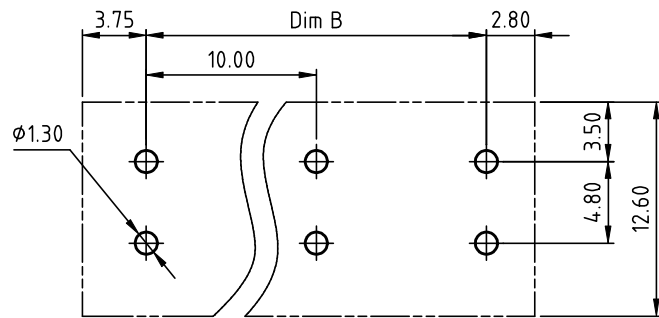
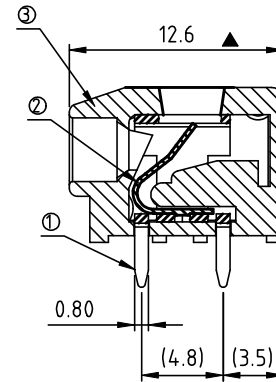
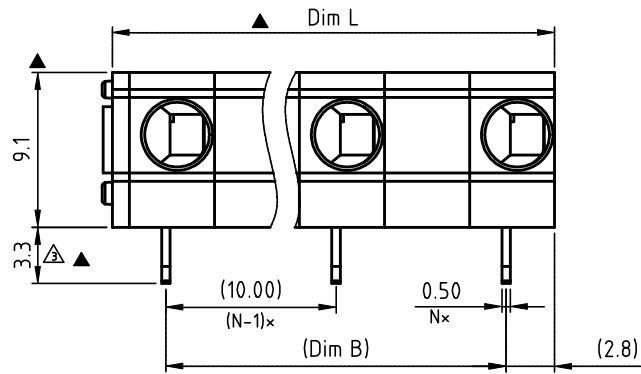
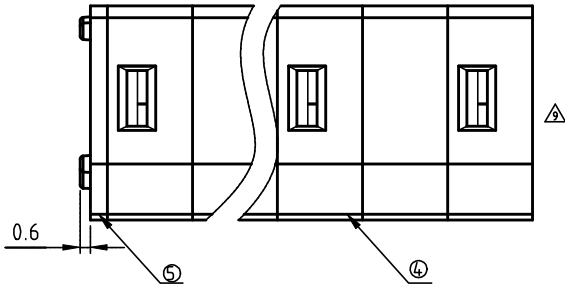
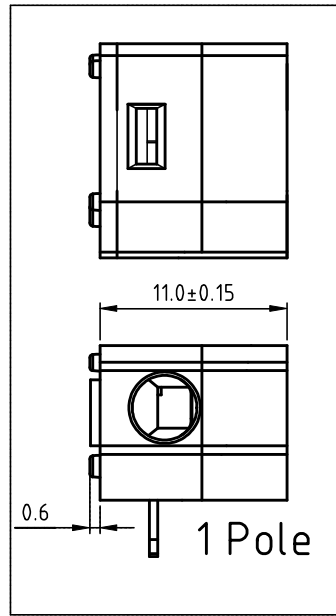


RoHS Compliant

Rev.	SIGN	DATE	DESCRIPTION	APPROVER
E	△	01/24/07	The Soldering temperature from 245° to 250°	Aaron
E	△	01/24/07	Add "VDE" stipulation	Aaron
F	△	01/02/13	change the electrical specification and the dimension from 3.6 to 3.3	Da cheng
G	△	11/11/19	Add the RoHS Compliant&Amphenol Logo.	Guoxue
	△	11/11/19	Update the VDE Current rating & Wire range&Voltage rating & Withstanding Voltage	Guoxue
	△	11/11/19	Add the "Reference dimension"	Guoxue
	△	11/11/19	Add the "Wave Soldering temperature: 260°C±5°C/5 Sec	Guoxue
	△	11/11/19	Delete the Dim.B	Guoxue
	△	11/11/19	Update the VIEW.	Guoxue
	△	11/11/19	Add the 1Pole.	Guoxue

**THIS IS CAD DRAWING, DO NOT REVISE MANUALLY!!!**



**P.C.B. LAYOUT**  
Top view

△ N=NUMBER OF POLES

Dim L	(N-1)×10.0+6.0
Dim B	(N-1)×10.0
	Dim L
2-4p	±0.25
5-8p	±0.35
9-12p	±0.45

- △ Material
- Item ① Contact pin : Brass.Tin plated
  - Item ② Wire guard: Stainless steel
  - Item ③ Insulator body: Thermoplastic (UL94V-0)
  - Item ④ Pad board: Thermoplastic (UL94V-0)
  - Item ⑤ Insulating cover :Thermoplastic (UL94V-0)

- △ Electrical
- |   |                         |
|---|-------------------------|
| cULus   | VDE △                   |
| ● Voltage rating: 300VAC  | 750VAC                  |
| ● Current rating: 10A   | 9A △                    |
| ● Wire range:   | 0.2-0.75mm <sup>2</sup> |
| ● Solid wire(AWG): 14-20  |                         |
| ● Stranded wire(AWG): 14-20   |                         |
| ● Wire strip length: 9-10mm   |                         |
| ● Withstanding Voltage: 1.6KV   | 3.0KV △                 |
| ● Operating temperature: -40°C to +115°C  |                         |
| △ Wave Soldering temperature: 260°C±5°C/5 Sec   |                         |
| △ Safety Approval:  |                         |
| ● Critical dimension: △   |                         |
| △ Reference dimension: ( x )The dimensions of pitch are just for reference,take the actual assembly result as a judgment when inserting the terminal block into the PCB hole. |                         |

**HB xx 11 x 1 xxxx G**

- △ No. OF POLES
  - 01: 1 POLE
  - 02: 2 POLES
  - :
  - :
  - 12: 12 POLES
- △ Color
  - 0 Black (RAL9005)
  - 2 Red (RAL3001/D)
  - 3 Orange(RAL2011/P)
  - 4 Yellow(RAL1018/A)
  - 5 Green(RAL6018/T)
  - 6 Blue (RAL5015/A)
  - 8 Grey(RAL7004/P)
  - 9 White(RAL1102)
  - C Multiple colors
- △ RoHS compliant (lead<4%) In copper Alloy
  - 000 0 Standard @ Logo
  - 000 A Standard ANY Logo
  - Any special item by customer request, please contact sales department.

<b>Amphenol ANYTEK</b>		<b>CUSTOMER COPY</b>	
ALL RIGHTS RESERVED. REPRODUCTION OR ISSUE TO THIRD PARTIES IN ANY FORM WHATSOEVER IS NOT PERMITTED WITHOUT WRITTEN AUTHORITY FROM THE PROPRIETOR. PROPERTY OF ANYTEK TECHNOLOGY CO., LTD			
TITLE	HB - 10.0mm Series (single wire w/o lever)		
PART NO.	HBxx11x1xxxxG	DWG NO.	8HB0203
APPROVED	CHECKED	DESIGNED	DRAWN
		Guoxue 2019.11.11	Guoxue 2019.11.11
		UNIT: mm	Tolerance X. ±0.50
		SCALE: NONE	X.X ±0.30
		SHEET: 01/01	X.XX ±0.10
		REV.: G	X° ±1°