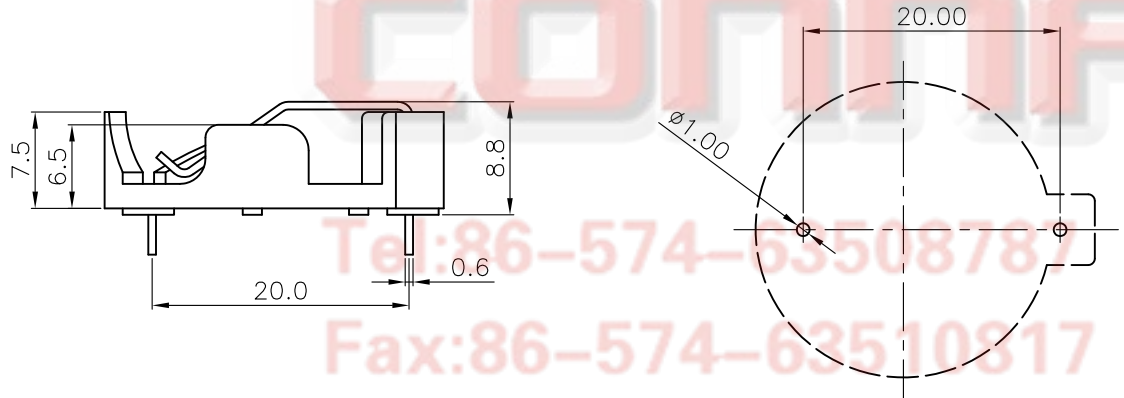
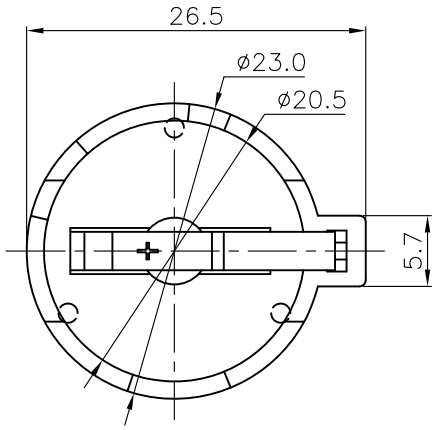


REV.	DESCRIPTION	DRAWN	CHECKED	APPROVED
A	NEW RELEASE	YCH 08/07/12'	~	LJC 08/07/12'
B	DRAWING UPDATE	JLZ 11/16/16'	HZW 11/16/16'	LJC 11/16/16'
C	DRAWING UPDATE	JLZ 06/10/17'	~	



**NOTE:**

- Materials:
  - 1.1 Base: Thermoplastic, UL94 V-0, Color of black.  
Temp. Range: -25°C to +85°C.
  - 1.2 Positive & Negative Contacts: Copper Alloy.
- Specification:
  - 2.1 Dielectric Withstanding Voltage: AC 500V AC.
  - 2.2 Insulation Resistance: 1000MΩ min.
  - 2.3 Contact Resistance: 100mΩ Max.
- Part Number Code:  
DS1092-14 - X X X

- Housing material:  
P: PBT
- Contact plating:  
6: Tin
- Housing color:  
B: Black

Recommend PCB Layout  
Tolerance=±0.05

Tel: 86-574-6350878  
 Fax: 86-574-63510817  
 E-mail: sale@connfly.com  
 http://www.connfly.com  
 Add: East Industry Zone  
 Town Cuijiaqiao  
 P.C: 315333

GENERAL TOLERANCE		ANGLE TOLERANCE	
X.	±0.60	X.	±5°
.X	±0.38	.X	±3°
.XX	±0.25	.XX	±2°

DRAWING TYPE	CUSTOMER
SCALE	1:1
DRAWING NO.	C-DS1092-14-XXX-C

PROJECTION	TITLE	2032 Lithium Coin Cell Battery Holders Horizontal insert type	
UNITS	mm	SHEET SIZE	A4
SHEET SIZE	A4	SERIES	DS1092-14 Series

**CONNFLY 晨翔电子有限公司**  
**CONNFLY ELECTRONIC CO. LTD**