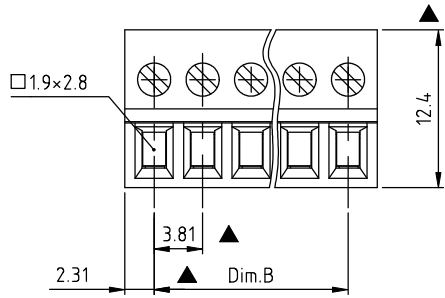


RoHS Compliant



VM xx 3 5 x 0 xxxx G

- | | | |
|----------|---------------------|--|
| POLES | COLOR | |
| 02 pole | 0 Black (RAL9005) | |
| ... pole | 2 Red (RAL3001/D) | |
| 24 pole | 3 Orange(RAL2011/P) | |
| | 4 Yellow(RAL1018/A) | |
| | 5 Green(RAL6018/T) | |
| | 6 Blue (RAL5015/A) | |
| | 8 Grey(RAL7035/D) | |
| | 9 White(RAL1102) | |
| | C Green(RAL6018/U) | |

RoHS compliant (lead<4%)
In copper Alloy
0000: "@logo"
000A: "ANYTEK"logo
Any special item by customer request.
please contact sales department.

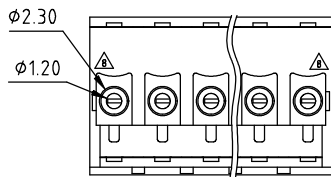
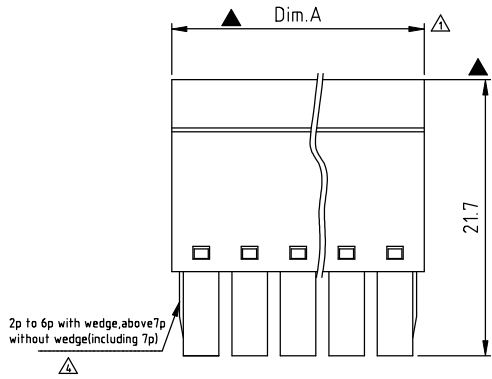
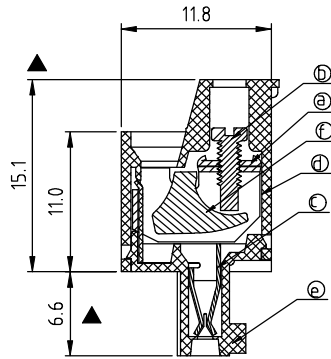
Rev.	SIGN	DATE	DESCRIPTION	APPROVER
B	△	11/25'04	The dimension changed from N×3.81 TO N×3.81+0.80	何恩華
	△	11/25'04	Part No. changed from VMxx35x2 to VMxx35x2G	何恩華
C	△	02/07'06	Part No. changed	Tony
D	△	08/22'09	Add pad for 2P - 6P .	Kind
E	△	07/15-15	Update the drawing	Evan
F	△	06/26'19	Add the "Rohs compliant & Amphenol logo"	Guoxue
	△	06/26'19	Add the "VDE & VDE parameter"	Guoxue
	△	06/26'19	Update the drawing	Guoxue

THIS IS CAD DRAWING, DO NOT REVISE MANUALLY!!!

Material

- Item ⊕ Clamp: Steel zinc plated.
- Item ⊕ Terminal screw: Brass Zinc plating "-" slot type
- Item ⊕ Female contact: PhBz Bright Tin plated over Nickel plated △
- Item ⊕ Terminal (Up body): Thermoplastic (UL94V-0)
- Item ⊕ Terminal (Down body): Thermoplastic (UL94V-0)
- Item ⊕ Clampage: Steel Zinc plated

- △ Electrical cULus VDE
- Voltage rating: 300V 300V(II/2)
 - Current rating: 10A 10A
 - Wire range: 0.2-1.5mm²
 - Solid wire(AWG): 16-28
 - Stranded wire(AWG): 16-28
 - Torque: 1.7Lb-In / 0.2N.m
 - Screw: M2
 - Wire strip length: 6-7mm
 - Withstanding Voltage: 1.6KV
 - Rated impulse voltage(II/2): 2.5KV
 - Operating temperature: -40°C to +115°C
 - Safety approval: △
 - Critical dimension: ▲



N = Number of poles △
Dim A=N×3.81+0.8
Dim B=(N-1)×3.81

	Dim A	Dim B
2p	±0.20	±0.10
3P-6p	±0.20	±0.20
7P-12p	±0.25	±0.25
13P-18p	±0.30	±0.30
19P-24p	±0.40	±0.40

				CUSTOMER COPY <small>ALL RIGHTS RESERVED. REPRODUCTION OR ISSUE TO THIRD PARTIES IN ANY FORM WHATSOEVER IS NOT PERMITTED WITHOUT WRITTEN AUTHORITY FROM THE PROPRIETOR. PROPERTY OF ANYTEK TECHNOLOGY CO., LTD</small>			
PART NO.: VMxx35x0xxxxG		DESIGNED: Guoxue 2019.06.26		DRAWN: Guoxue 2019.06.26			
APPROVED:		CHECKED:		CUST NO.:			
				Tolerance			
				X. ±0.50			
				X.X ±0.30			
				X.XX ±0.10			
				X° ±1°			
SHEET: 01/01				REV.: F			