

QUARTZ CRYSTAL UNIT

SERIES 7U, SEAM SEALED CERAMIC 3.2X2.5MM SMD TYPE



Approved by:
Checked by:
Issued by:

SPECIFICATION

P/N: UXC-S3225-32M-BLE-NRF-S

深圳市晶科鑫实业有限公司
SHENZHEN CRYSTAL TECHNOLOGY INDUSTRIAL CO., LTD.

Tel: 86-755-88352809
E-mail: sjksale@126.com

Fax: 86-755-88353718
URL: [Http://www.q-crystal.com](http://www.q-crystal.com)

QUARTZ CRYSTAL UNIT

SERIES 7U, SEAM SEALED CERAMIC 3.2X2.5MM SMD TYPE

FEATURE

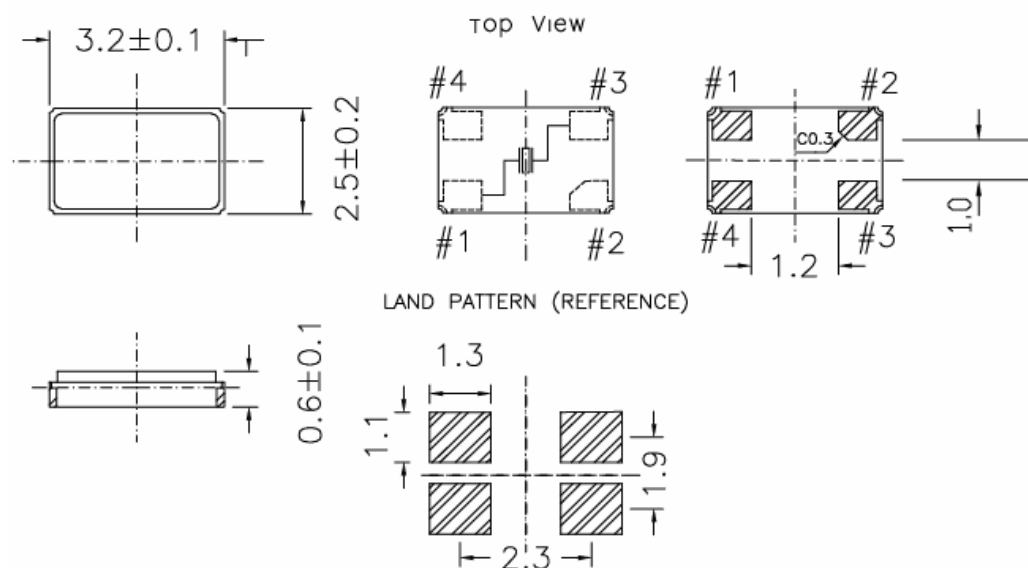
- I Ultra thin, thickness 0.6mm
- I Leadless type
- I High precision characteristic covering up to high frequency range
- I Designed for automatic mounting and reflow soldering
- I Embossed tapping specification
- I The best choice of Bluetooth wireless communication sets, DSN, PDA and mobile phone

ELECTRICAL SPECIFICATIONS

Output Frequency Range	32.000MHz
Mode	AT/Fundamental
Frequency Tolerance (at 25°C)	±10ppm
Frequency Stability Over Operating Temperature Characteristics	±20ppm
Operating Temperature Range	-40 °C to +85 °C
Storage Temperature Range	-40 °C to +85 °C
Shunt Capacitance (C ₀)	5.0 pF Max
Driver Level (Typical)	50μW
Load Capacitance (C _L)	8 pF
Equivalent series resistance	40 Ω Max
Aging @25°C 1 st year (Max)	±3ppm/year
Shock Resistance	Drop test of 3 times on 2mm stainless plate from 75cm height

REMARK: SPECIFICATIONS SUBJECT TO CHANGE WITHOUT PRIOR NOTICE. PLEASE CONFIRM WITH OUR SALES ENGINEER.

Dimension (Unit: mm)

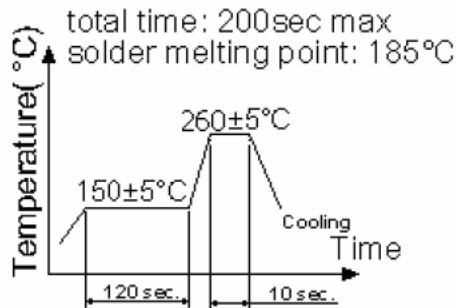


The design, manufacturing process, and specifications of this device are subject to change without notice.

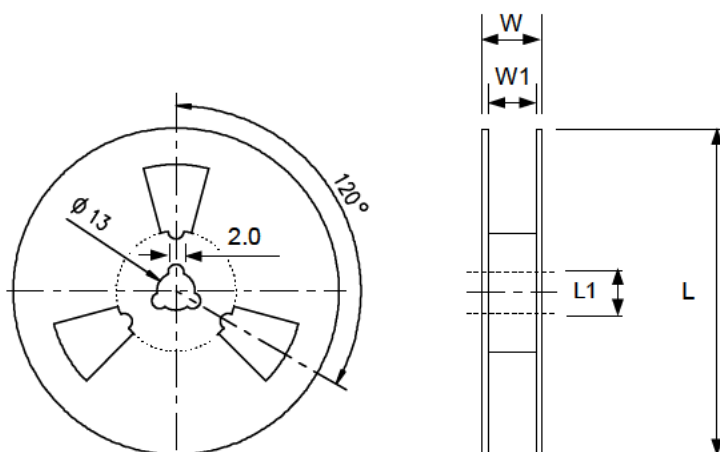
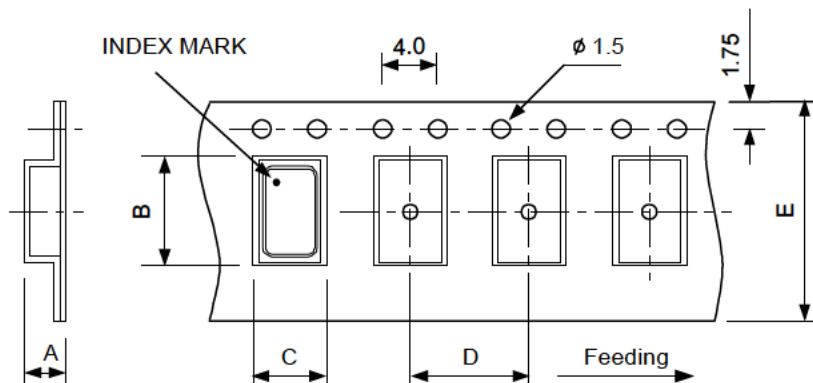
QUARTZ CRYSTAL UNIT

SERIES 7U, SEAM SEALED CERAMIC 3.2X2.5MM SMD TYPE

Reflow Condition



PACKING



DIMENSIONS	L	L1	W	W1	pcs / Reel (UNIT : mm)
	178	13	11.5	8	Standard Reel Quantity is 3,000 pcs per reel

The design, manufacturing process, and specifications of this device are subject to change without notice.