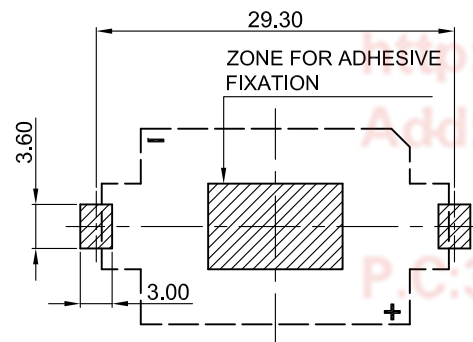
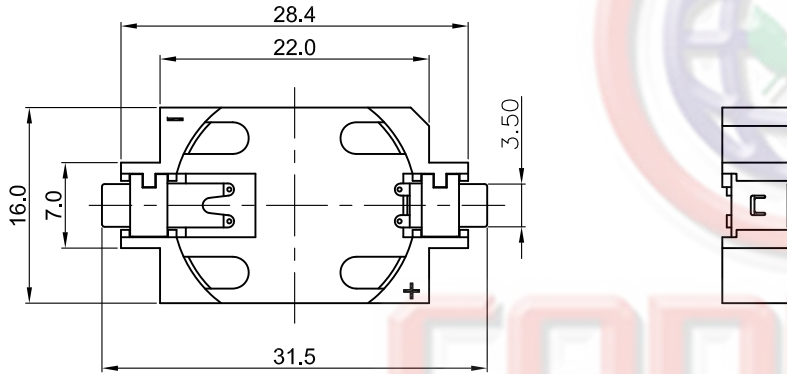


The information provided herein is from CONNELY Electronic Co., Ltd. and is confidential. Any disclosure to a party other than the recipient is prohibited. The intellectual properties and its rights contained herein, including but not limited to, trademarks, patents, copyrights, trade secrets, and technical know-how, are owned exclusively by CONNELY or its affiliates. Unauthorized use of this information in any format or manner. CONNELY may enforce its intellectual property rights at its own discretion; failures or delays to exercise such rights does not constitute a waiver of such rights.

1 2 3 4 5 6 7 8

| REV. | DESCRIPTION    | DRAWN         | CHECKED       | APPROVED      |
|------|----------------|---------------|---------------|---------------|
| A    | NEW RELEASE    | YCH 08/07/12' |               | LJC 08/07/12' |
| B    | DRAWING UPDATE | JLZ 07/10/17' | HZW 07/10/17' | LJC 07/10/17' |
| C    | ADD P/N CODE   | JLZ 08/06/19' |               |               |



Recommend PCB Layout  
Tolerance=±0.05

**NOTE:**

- Materials:
  - 1.1 Base: Thermoplastic,UL94 V-0,Color of White. Temp.Range: -25°C to +85°C.
  - 1.2 Positive & Negative Contacts: Copper Alloy.
- Specification:
  - 2.1 Dielectric Withstanding Voltage: AC 500V AC.
  - 2.2 Insulation Resistance: 1000MΩ min.
  - 2.3 Contact Resistance: 100mΩ Max.
- Part Number Code:

DS1092-10 - X X X - X

- Packing Type:  
R: Tape on reel  
N/A Code: Tray
- Housing Material:  
L: LCP
- Contact Plating:  
6: Tin  
8: Full gold flash
- Housing Color:  
W: White

|                   |       |                     |              |   |    |  |                        |
|-------------------|-------|---------------------|--------------|---|----|--|------------------------|
| GENERAL TOLERANCE |       | ANGLE TOLERANCE     |              | PROJECTION  |    | TITLE                                      | 2032 Lithium Coin Cell |
| X.                | ±0.60 | X.                  | ±5°          | UNITS   | mm | Battery Holders Horizontal insert SMT type |                        |
| .X                | ±0.38 | .X                  | ±3°          | SHEET SIZE  | A4 | SERIES                                     | DS1092-10 SERIES       |
| .XX               | ±0.25 | .XX                 | ±2°          | 晨翔电子有限公司<br><b>CONNFLY CONNFLY ELECTRONIC CO. LTD</b> |    |  |                        |
| DRAWING TYPE      |       | CUSTOMER            |              |   |    |  |                        |
| SCALE             |       | 1:1                 | SHEET 1 OF 1 |   |    |  |                        |
| DRAWING NO.       |       | C-DS1092-10-XXX-X-C |              |   |    |  |                        |

1 2 3 4 5 6 7 8