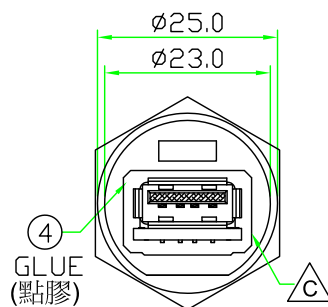


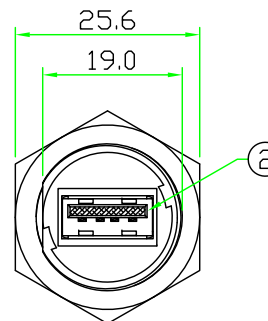
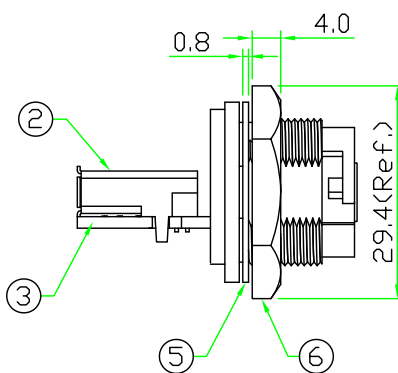
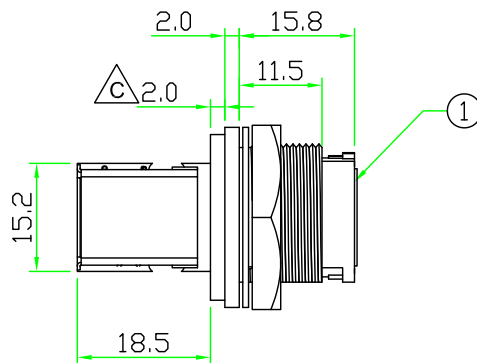
RECOMMENDED
PANEL CUT OUT

RoHS

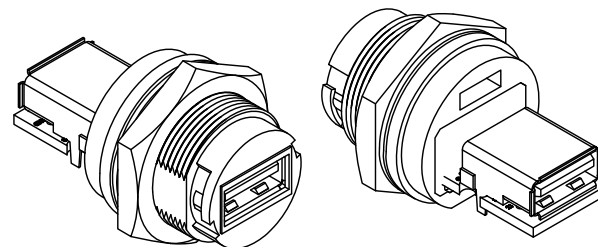
IP66~68



REAR VIEW
(後視圖)

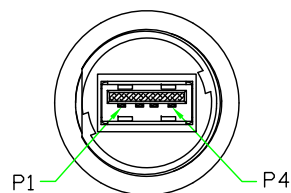


FRONT VIEW
(前視圖)



NOTES:

1. Current Rating: 1A
2. Connector Temperature Range: -25°C to 85°C
3. Contact Resistance: ≤30mΩ
4. Insulation Resistance: ≥100MΩ
5. Breakdown Voltage: ≥AC 500V/1 Minute
6. Panel Thickness Max. 6.0 mm



PIN ASSIGNMENT
FRONT VIEW
(前視圖)

OLD P/N:USB2AC-L3CRJ
(原型号)

6	HEX NUT	NYLON+GF.	BLACK	1	
5	GASKET	EPDM.	BLACK	1	
4	GLUE	EPOXY.	BLACK	1	
3	PCB	FR4. Double Size, 1.6mm Thickness		1	
2	CONNECTOR	USB 2.0 A Type Female Connector.	WHITE	2	
1	BODY	USB A Type Female Connector Body. NYLON+GF.	BLACK	1	
No.	PART NAME	DESCRIPTION	COLOR	Q'TY	REMARKS

HOLIN® HTP ASIA TECHNOLOGY CO., LTD. 禾凌科技股份有限公司					
	UNIT: mm	TITLE : USB 2.0 A Type Female C Size Lock Type Circular Flange Panel With Right Angle USB 2.0 A Type Female			
SCALE	1:1	P/N: \triangle USB2AC-L3CSJ		DR.	Patty
UNLESS OTHERWISE SPECIFIED TOLERANCES: .x ± 0.5 .xx ± 0.25 .xxx ± 0.1 ANGLE ± 1'		DWG.NO: \triangle USB2AC-L3CSJ		CH.	ERIC
REV.	SHEET			AP.	
C	1/1				