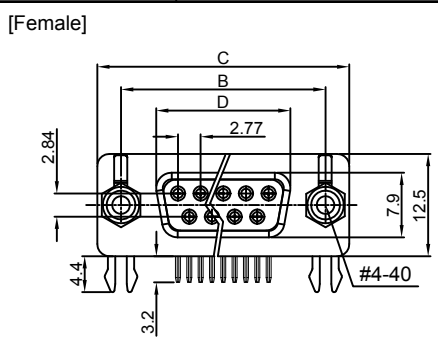
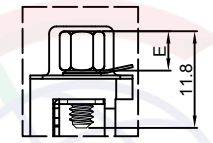
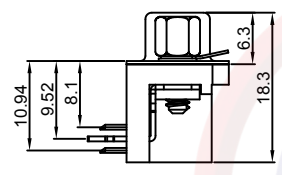
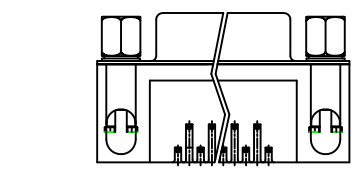


The information provided herein is from CONNPLY Electronic Co., Ltd. and is confidential. Any disclosure to a party other than the recipient is prohibited. The intellectual properties and its rights contained herein, including but not limited to, trademarks, patents, copyrights, trade secrets, and technical know-how, are owned exclusively by CONNPLY or its affiliates. Unauthorized use or reproduction of any part of this document for any purpose other than the intended use is strictly prohibited. CONNPLY may enforce its intellectual property rights at its own discretion, failures or delays in exercising such rights does not constitute a waiver of such rights. This document is for reference only and does not constitute a contract. CONNPLY reserves the right to modify the product specifications without notice.

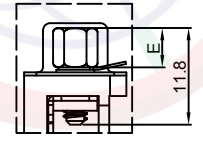
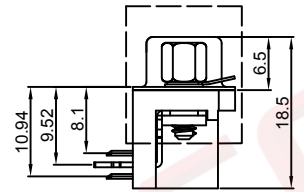
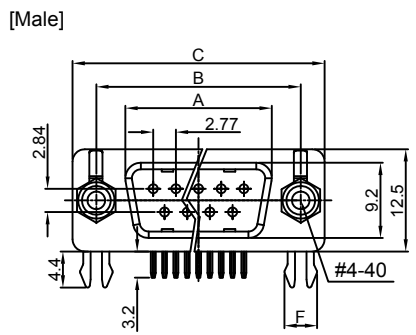


Dimension

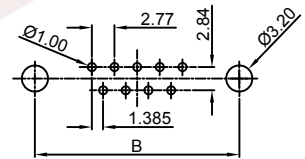
Position	A±0.2	B±0.2	C±0.3	D
9	17.90	24.99	30.84	16.33
15	26.50	33.32	39.14	24.66
25	40.00	47.04	53.04	38.38
37	56.50	63.50	69.32	54.84



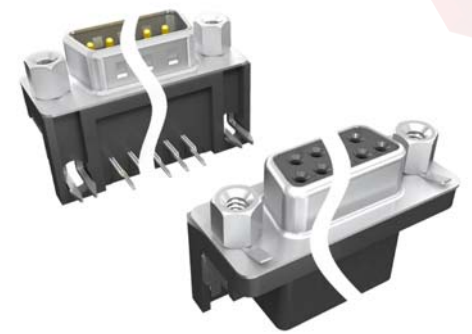
With screw type



With screw and rivet type



Recommend PCB layout (Tolerance:±0.05)



(Series Image-Reference Only)

REV.	DESCRIPTION	DRAWN	CHECKED	APPROVED
A	NEW RELEASE	YCH 08/13/07'		LJC 08/13/07'
C	DRAWING UPDATE	JLZ 10/07/20'		

- NOTES:
- Electrical characteristics:
    - Contact resistance: 20mΩ Max. Initial.
    - Dielectric withstanding voltage: 500V AC(rms) for 1 minute.
    - Insulation resistance: 1000MΩ Min.
  - Environment characteristics:
    - Temperature range: -40°C~+105°C.
  - Materials:
    - Insulator:PBT+Glass fiber
    - Shell:Steel
    - Contact:Copper alloy
  - Product number code:
 

DS1037 - 02 - X X X X X X X - OCC

- X X X X X X X - OCC
- Screw DIM. E  
4: 4.80mm 5: 5.80mm
- Board lock DIM. F  
7: 3.70mm
- Contact plating  
T: Selective gold flash  
Si: Full gold flash  
6: Full tin
- Color of housing  
K: Black B: Blue
- Screw type  
A: With screw type  
C: With screw and rivet type
- Shell plating  
N: Nickel T: Tin
- Connector type  
M: Male F: Female
- No. of contact  
09,15,25,37

GENERAL TOLERANCE		ANGLE TOLERANCE		PROJECTION		TITLE	
X.	±0.60	X.	±5°	UNITS	mm	D-SUB R/A(7.2mm) With Shielding Type	
.X	±0.38	.X	±3°	SHEET SIZE	A4	SERIES	DS1037-02 SERIES
.XX	±0.25	.XX	±2°	<b>晨翔电子有限公司</b> <b>CONNPLY ELECTRONIC CO. LTD</b>			
DRAWING TYPE		CUSTOMER					
SCALE	1:1	SHEET	1 OF 1				
DRAWING NO.		C-DS1037-02-XXXXXXX-OCC-B					