


SIGN	DATE	DESCRIPTION	APPROVER
△	1/29'07	Dim. L changed	Tony
△	1/29'07	Soldering temperature changed from 245° to 250°	Tony
△	8/1'08	Operating temperature is changed	Marvin
△	2009.09.20	The design is changed	Chen Bo

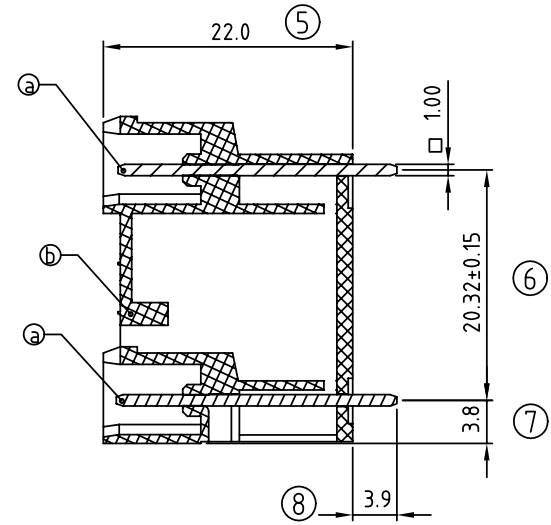
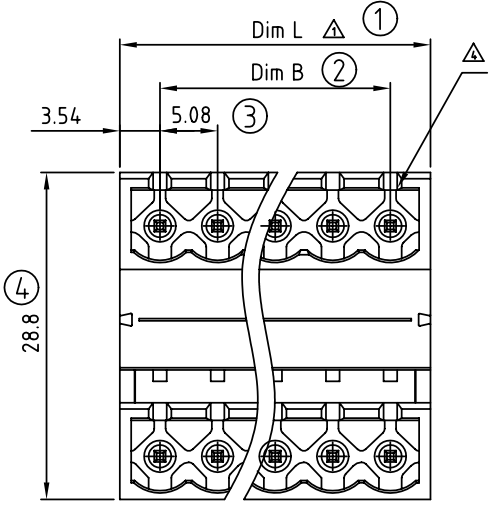
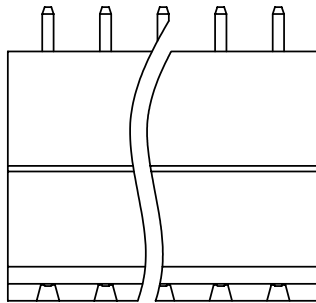
*THIS IS CAD DRAWING, DO NOT REVISE MANUALLY!!!*

Material:

- Item ④ Male contact pin: Copper Tin plated
- Item ⑤ Terminal(housing): Thermoplastic (UL94V-0)

Electrical: cULus

- Voltage rating: 300V
- Current rating: 20A
- Withstanding Voltage: 1.6 KV
- Operating temperature: -40°C to +115°C
- Soldering temperature: 250°C±10°C/5 Sec
- Safety Approval: 

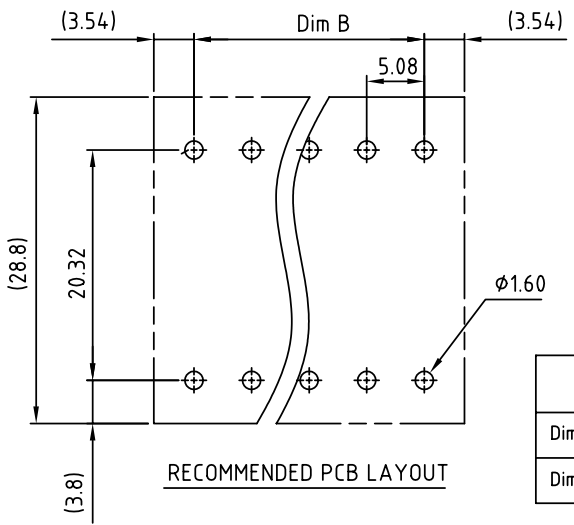


VL xx 5 1 x 0 xxxx G

No. OF POLES  
04: 2x2 POLES  
:  
48: 2x24 POLES

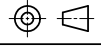
COLOR  
0 Black (RAL9005)  
2 Red (RAL3001/D)  
3 Orange(RAL2011/P)  
4 Yellow(RAL1018/A)  
5 Green(RAL6018/T)  
6 Blue (RAL5015/A)  
8 Grey(RAL7035/D)

G: Pb<40000ppm  
0000: "@ " Logo  
000A: "ANYTEK" Mark  
Any special item by customer request. please contact sales department.



N=NUMBER OF CONTACTS

DIM		TOL			
		2--6P	7--12P	13--18P	19--24P
Dim L	(N-1)×5.08+7.08	±0.15	±0.25	±0.35	±0.40
Dim B	(N-1)×5.08	±0.15	±0.25	±0.35	±0.40

<h1>ANYTEK</h1>		<h2>CUSTOMER COPY</h2>			
ALL RIGHTS RESERVED. REPRODUCTION OR ISSUE TO THIRD PARTIES IN ANY FORM WHATSOEVER IS NOT PERMITTED WITHOUT WRITTEN AUTHORITY FROM THE PROPRIETOR. PROPERTY OF ANYTEK TECHNOLOGY CO., LTD					
TITLE		VL-5.08mm Series 180°			
PART NO.		VLxx51x0xxxxG		DWG NO. 8VL0302	
APPROVED		CHECKED	DESIGNED	DRAWN	CUST NO.
				Chen Bo 2010.09.20	
					
				UNIT: mm SCALE: NONE SHEET: 01/01 REV.: F	
				X. ±0.50 X.X ±0.30 X.XX ±0.10 X° ±1°	