

47 μ F AC-Coupling Capacitor Wide Band 3ch Video Driver with LPF

■GENERAL DESCRIPTION

The **NJM2516** is 3ch video amplifier with LPF for the high definition signal.

The NJRC original Technology "ASC(Advanced SAG Correction)" realizes 47 μ F AC-Coupling Capacitor which enables to downsize mounting space.

No worrying about beat noise caused by charge-pump circuit, and over-current caused by circuit short out than Capacitor-less video driver.

The **NJM2516** is suitable for the Video system to the high definition signal output.

■PACKAGE OUTLINE

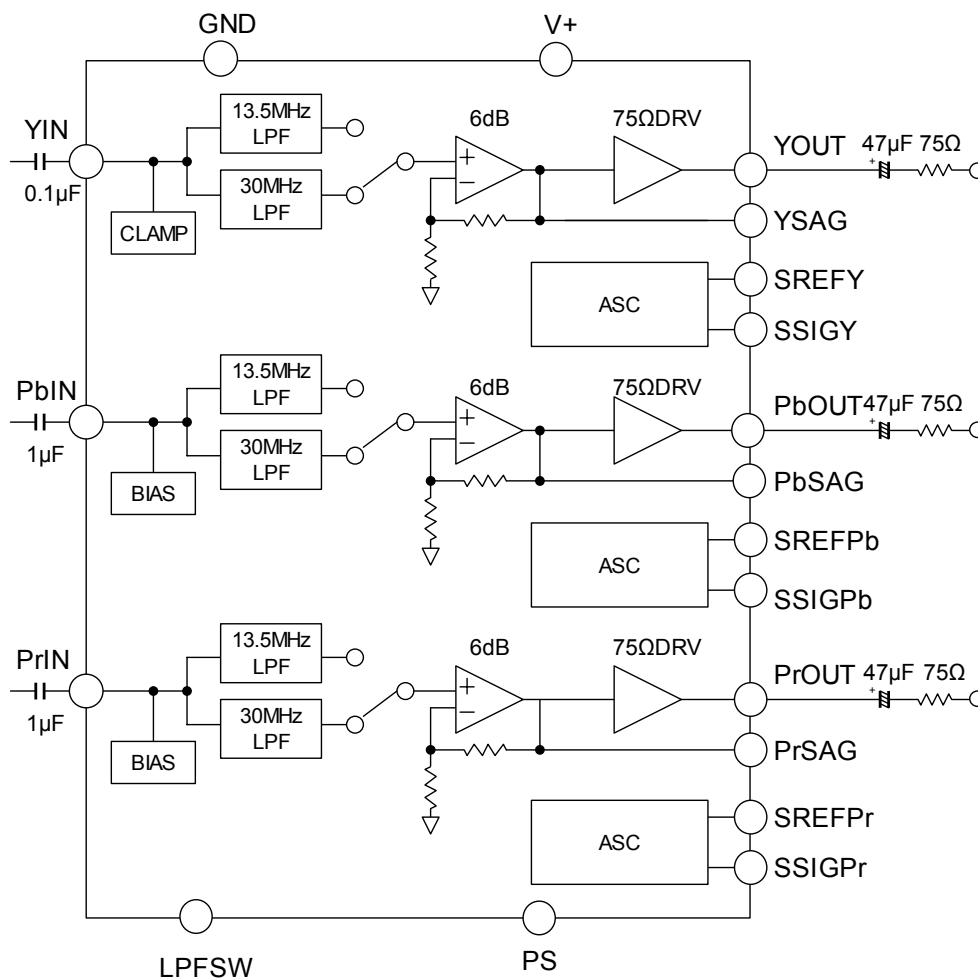


NJM2516VC3

■FEATURES

- Operating Voltage 4.5 to 9.5V
- AC-Coupling Capacitor 47 μ F
- Input Signal Y,Pb,Pr
- Internal 6dB Amplifier
- Internal 75 Ω Driver
- Internal LPF * $f_c=13.5\text{MHz}/30\text{MHz SW}$
- Internal Power Save Circuit
- Bipolar Technology
- Package Outline SSOP20-C3

■BLOCK DIAGRAM



NJM2516

■ABSOLUTE MAXIMUM RATINGS(Ta=25°C)

PARAMETER	SYMBOL	RATINGS	UNIT
Supply Voltage	V ⁺	10	V
Power Dissipation	P _D	1500(Note1)	mW
Operating Temperature Range	Topr	-40 to +85	°C
Storage Temperature Range	Tstg	-40 to +150	°C

(Note1) At on a board of EIA/JEDEC specification. (114.3 x 76.2 x 1.6mm, 4 layers, FR-4)

■RECCOMENDED OPERATING CONDITIONS(Ta=25°C)

PARAMETER	SYMBOL	TEST CONDITION	MIN.	TYP.	MAX.	UNIT
Operating voltage	Vopr	V ⁺	4.5	-	9.5	V

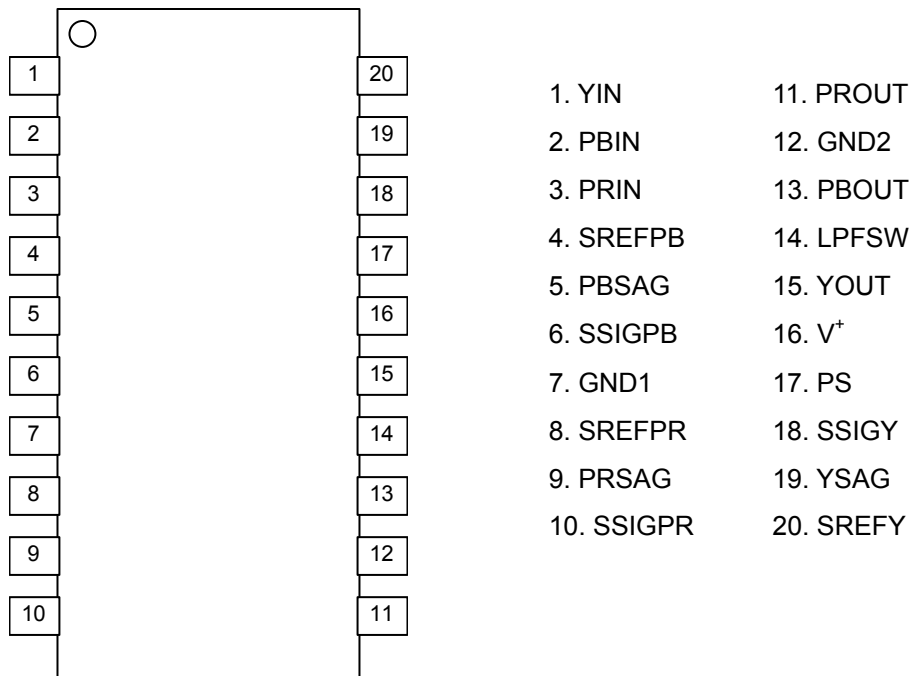
■ELECTRICAL CHRACTERISTCS (V⁺=5V, RL=150Ω,Ta=25°C)

PARAMETER	SYMBOL	TEST CONDITION	MIN.	TYP.	MAX.	UNIT
Supply Current	I _{CC}	No signal	-	40	60	mA
Supply Current at Power Save Mode	I _{save}	Power save mode, No signal	-	0.8	1.4	mA
Maximum Output Level	V _{om}	V _{in} =100kHz, sin-signal, THD=1%	2.4	-	-	V _{p-p}
Voltage Gain	G _v	V _{in} =1MHz, 1.0V _{p-p} sin-signal	5.5	6.0	6.5	dB
Difference of Voltage Gain Between Input Terminals	ΔG _{vI}	V _{in} =1MHz, 1.0V _{p-p} sin-signal	-0.25	0	+0.25	dB
LPF Characteristics 1	G _{fSD} 13.5M	V _{in} =13.5MHz/1MHz, 1.0V _{p-p} sin-signal	-1.0	0	1.0	dB
	G _{fSD} 54M	V _{in} =54MHz/1MHz, 1.0V _{p-p} sin-signal	-	-40.0	-24.0	dB
LPF Characteristics 2	G _{fD} 30M	V _{in} =30MHz/1MHz, 1.0V _{p-p} sin-signal	-	-2.0	-	dB
	G _{fD} 74M	V _{in} =74MHz/1MHz, 1.0V _{p-p} sin-signal	-	-40.0	-24.0	dB
Differential Gain	DG	YIN=1.0V _{p-p} , PBIN, PRIN=0.7V _{p-p} , 10step video signal	-	0.5	-	%
Differential Phase	DP	YIN=1.0V _{p-p} , PBIN, PRIN=0.7V _{p-p} , 10step video signal	-	0.3	-	deg
S/N Ratio	SN	YIN=1.0V _{p-p} , PBIN, PRIN=0.7V _{p-p} , white video signal, BW=100kHz to 6MHz, RL=75Ω	-	80	-	dB
SW Voltage High Level	V _{thH}	Active	2.5	-	V ⁺	V
SW Voltage Low Level	V _{thL}	Non-Active	0	-	1.0	V
SW Sink Current High Level	I _{thH}	V=5V	-	-	120	μA
SW Sink Current Low Level	I _{thL}	V=0.3V	-	-	8.0	μA

■CONTROL CHARACTERISTIC

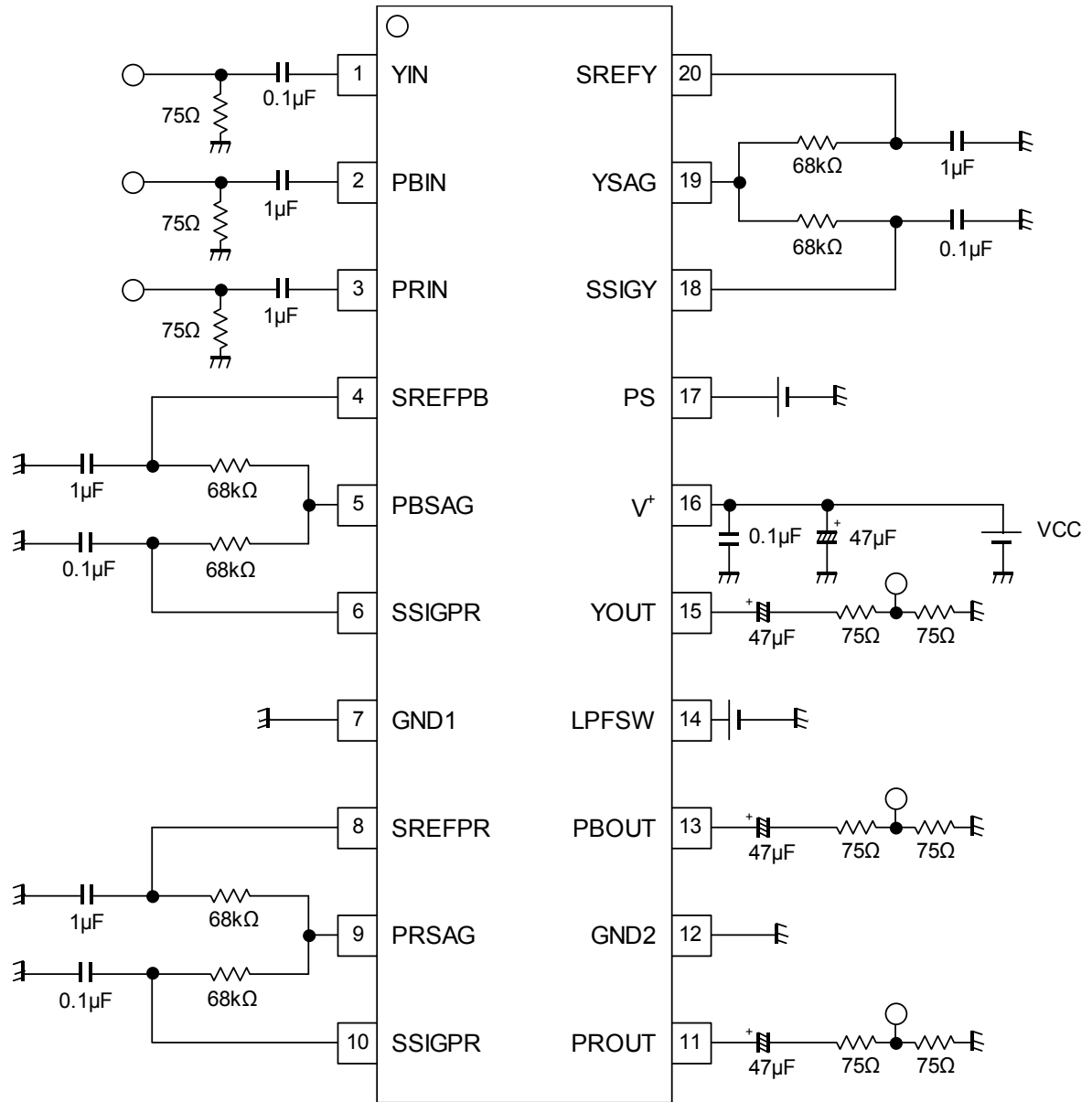
PARAMETER	STATUS	MODE
Power Save	H	Power save: OFF Active mode
	L	Power save: ON Non-Active mode (Mute)
	OPEN	Power save: ON Non-Active mode (Mute)
LPF	H	30MHz LPF
	L	13.5MHz LPF
	OPEN	13.5MHz LPF

■PIN CONFIGURATION

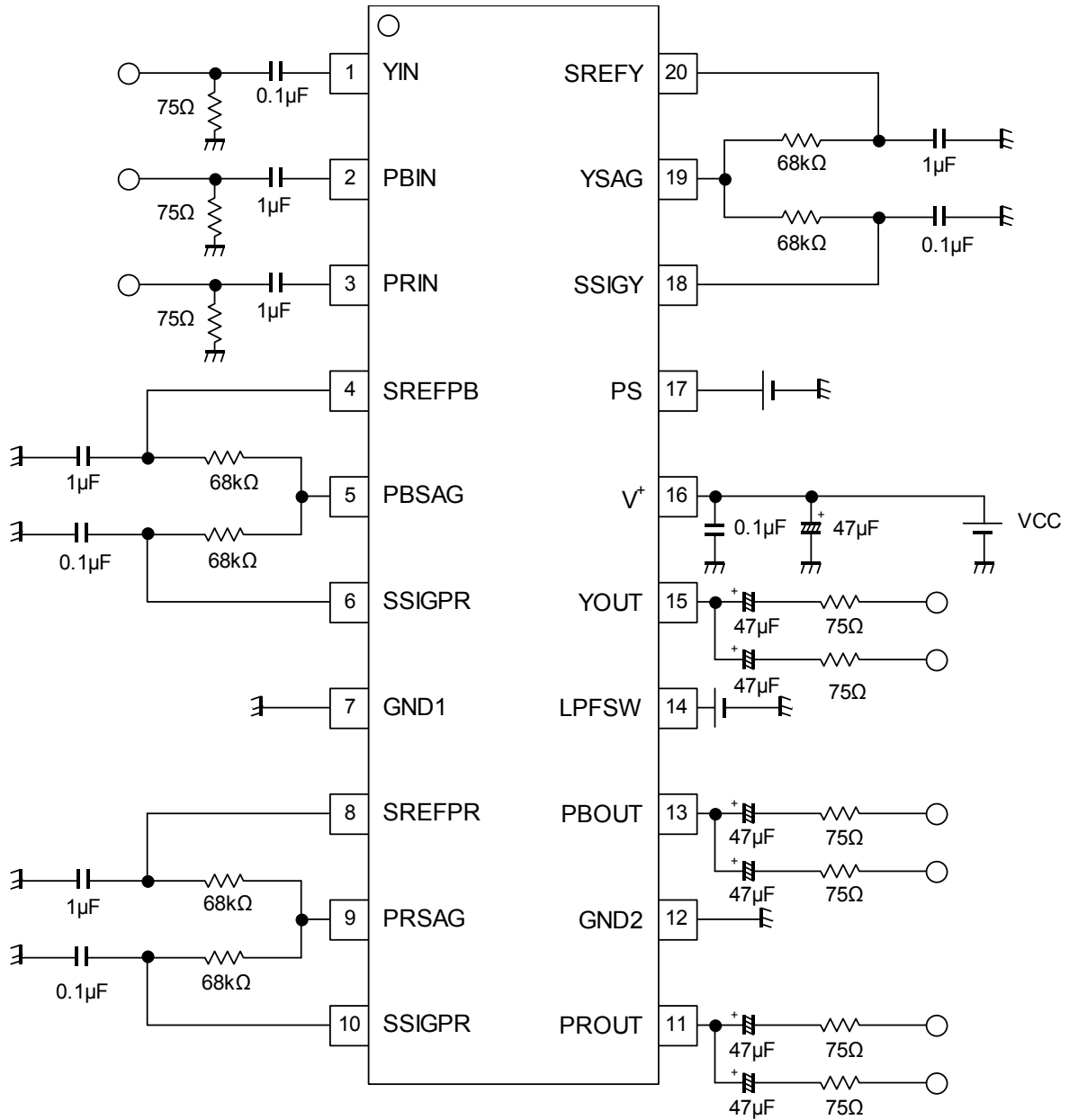


NJM2516

TEST CIRCUIT



APPLICATION CIRCUIT



APPLICATION NOTE

NJM2516 has possibilities that decrease in the capacitance in low-frequency band when the ceramic capacitor is used (pin11, pin13, pin15). It is a possibility that the sag is generated when the ceramic capacitor decreases capacity. Please verify it in consideration of the capacity drop of the ceramic capacitor.

◆Clamp circuit

1. Operation of Sync-tip-clamp

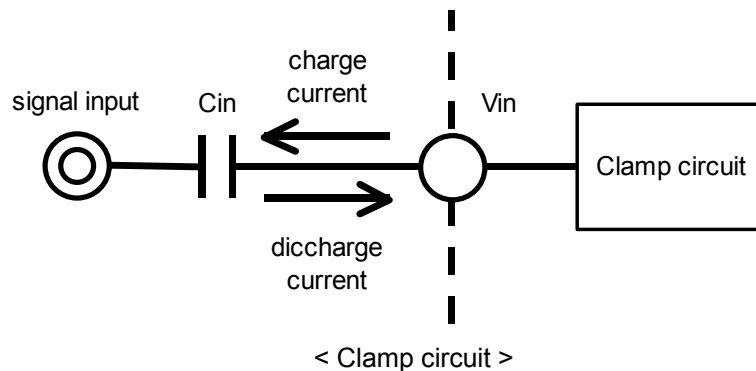
Input circuit will be explained. Sync-tip clamp circuit (below the clamp circuit) operates to keep a sync tip of the minimum potential of the video signal. Clamp circuit is a circuit of the capacitor charging and discharging of the external input C_{in} . It is charged to the capacitor to the external input C_{in} at sync tip of the video signal. Therefore, the potential of the sync tip is fixed.

And it is discharged charge by capacitor C_{in} at period other than the video signal sync tip. This is due to a small discharge current to the IC.

In this way, this clamp circuit is fixed sync tip of video signal to a constant potential from charging of C_{in} and discharging of C_{in} at every one horizontal period of the video signal.

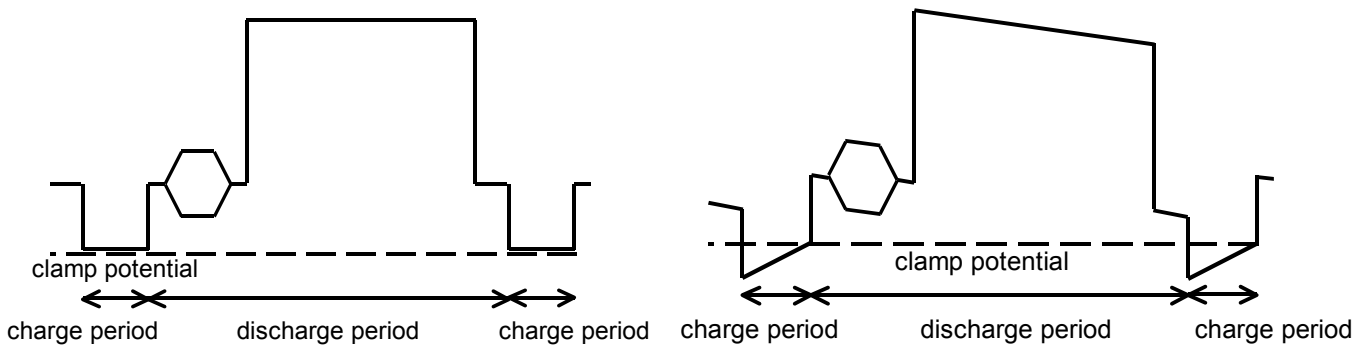
The minute current be discharged an electrical charge from the input capacitor at the period other than the sync tip of video signals. Decrease of voltage on discharge is dependent on the size of the input capacitor C_{in} .

If you decrease the value of the input capacitor, will cause distortion, called the H sag. Therefore, the input capacitor recommend on more than 0.1 μ F.



A. C_{in} is large

B. C_{in} is small (H sag experience)



< Waveform of input terminal >

2. Input impedance

The input impedance of the clamp circuit is different at the capacitor discharge period and the charge period.

The input impedance of the charging period is a few $k\Omega$. On the other hand, the input impedance of the discharge period is several $M\Omega$, because is a small discharge-current through to the IC.

Thus the input impedance will vary depending on the operating state of the clamp circuit.

3. Impedance of signal source

Source impedance to the input terminal, please lower than 200 Ω . A high source impedance, the signal may be distorted. If so, please to connect a buffer for impedance conversion.

[CAUTION]

The specifications on this databook are only given for information, without any guarantee as regards either mistakes or omissions. The application circuits in this databook are described only to show representative usages of the product and not intended for the guarantee or permission of any right including the industrial rights.