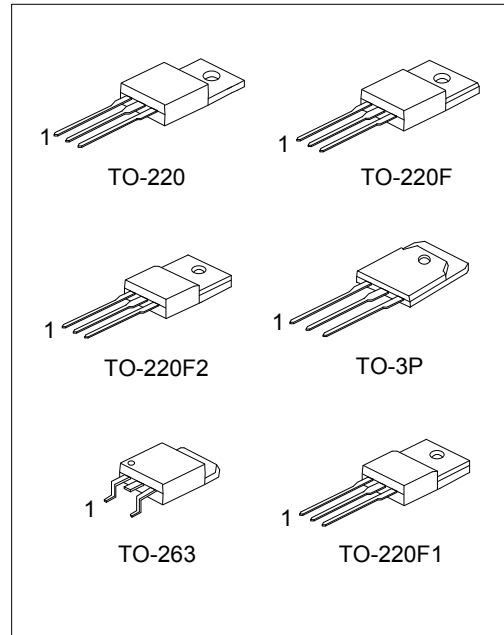




SWITCHING REGULATOR APPLICATIONS

■ **FEATURES**

- * High Speed.
- * High Breakdown Voltage ($V_{CBO}=1400V$).
- * High Reliability.



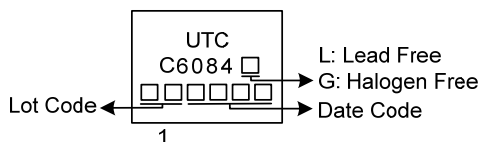
■ **ORDERING INFORMATION**

Ordering Number		Package	Pin Description			Packing
Lead Free	Halogen Free		1	2	3	
C6084L-x-TA3 -T	C6084G-x-TA3-T	TO-220	B	C	E	Tube
C6084L-x-TF3 -T	C6084G-x-TF3-T	TO-220F	B	C	E	Tube
C6084L-x-TF1 -T	C6084G-x-TF1-T	TO-220F1	B	C	E	Tube
C6084L-x-TF2-T	C6084G-x-TF2-T	TO-220F2	B	C	E	Tube
C6084L-x-TQ2-T	C6084G-x-TQ2-T	TO-263	B	C	E	Tube
C6084L-x-TQ2-R	C6084G-x-TQ2-R	TO-263	B	C	E	Tape Reel
C6084L-x-T3P-T	C6084G-x-T3P-T	TO-3P	B	C	E	Tube

Note: Pin assignment: B: Base C: Collector E: Emitter

<p>C6084G-x-TA3-T</p> <p>(1) Packing Type</p> <p>(2) Package Type</p> <p>(3) Rank</p> <p>(4) Green Package</p>	<p>(1) T: Tube, R: Tape Reel</p> <p>(2) TA3: TO-220, TF1: TO-220F1, TF2: TO-220F2 TF3: TO-220F, TQ2: TO-263, T3P: TO-3P</p> <p>(3) x: refer to Classification of h_{FE1}</p> <p>(4) G: Halogen Free and Lead Free, L: Lead Free</p>
--	--

■ **MARKING**



■ ABSOLUTE MAXIMUM RATING ($T_A=25^\circ\text{C}$, unless otherwise specified)

PARAMETER		SYMBOL	RATINGS	UNIT
Collector-Base Voltage		V_{CBO}	1.4	KV
Collector-Emitter Voltage		V_{CEO}	750	V
Emitter-Base Voltage		V_{EBO}	5	V
Collector Current	TO-3P/TO-263 TO-220/TO-220F TO-220F1/TO-220F2	I_C	3	A
	TO-3P/TO-263 TO-220/TO-220F TO-220F1/TO-220F2	I_{CP}	6	A
Collector Dissipation ($T_A=25^\circ\text{C}$)	TO-220/ TO-263	P_C	1.75	W
	TO-220F		1.35	
	TO-220F1/TO-220F2		1.45	
	TO-3P		3.125	
Collector Dissipation ($T_C=25^\circ\text{C}$)	TO-220/ TO-263	P_C	80	W
	TO-220F		30	
	TO-220F1/TO-220F2		32	
	TO-3P		100	
Junction Temperature		T_J	+150	$^\circ\text{C}$
Storage Temperature		T_{STG}	-55 ~ +150	$^\circ\text{C}$

Note: Absolute maximum ratings are those values beyond which the device could be permanently damaged.
Absolute maximum ratings are stress ratings only and functional device operation is not implied.

■ THERMAL DATA

PARAMETER		SYMBOL	RATING	UNIT
Junction to Ambient	TO-220/ TO-263	θ_{JA}	71.4	$^\circ\text{C/W}$
	TO-220F		92.6	
	TO-220F1/TO-220F2		86.2	
	TO-3P		40	
Junction to Case	TO-220/ TO-263	θ_{JC}	1.56	$^\circ\text{C/W}$
	TO-220F		4.17	
	TO-220F1/TO-220F2		3.9	
	TO-3P		1.25	

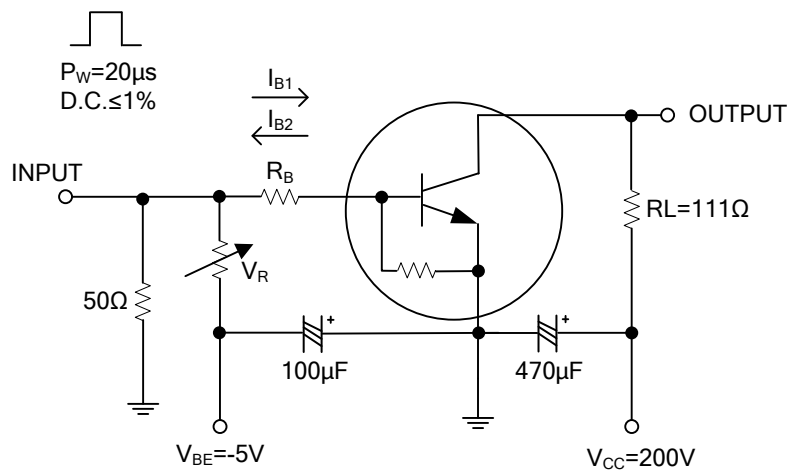
■ ELECTRICAL CHARACTERISTICS ($T_A=25^\circ\text{C}$, unless otherwise specified)

PARAMETER	SYMBOL	TEST CONDITIONS	MIN	TYP	MAX	UNIT
Collector Cutoff Current	I_{CBO}	$V_{CB}=800\text{V}$, $I_E=0\text{A}$			10	μA
Collector Cutoff Current	I_{CES}	$V_{CE}=1400\text{V}$, $R_{BE}=0\Omega$			1.0	mA
Collector Sustain Voltage	$V_{CEO(SUS)}$	$I_C=10\text{mA}$, $I_B=0\text{A}$	750			V
Emitter Cutoff Current	I_{EBO}	$V_{BE}=4\text{V}$, $I_C=0\text{A}$			1.0	mA
Collector-Emitter Saturation Voltage	$V_{CE(SAT)}$	$I_C=2.7\text{A}$, $I_B=0.54\text{A}$			3	V
Base-Emitter Saturation Voltage	$V_{BE(SAT)}$	$I_C=2.7\text{A}$, $I_B=0.54\text{A}$			1.5	V
DC Current Gain	h_{FE1}	$V_{CE}=5\text{V}$, $I_C=0.5\text{A}$	10		25	
		$V_{CE}=5\text{V}$, $I_C=2.0\text{A}$	5			
Fall Time	T_F	$I_C=1.8\text{A}$, $I_{B1}=0.36\text{A}$, $I_{B2}=-0.72\text{A}$			0.2	μs
Collector Output Capacitance	C_{ob}	$V_{CB}=0\text{V}$, $f=1\text{MHz}$		206		pF
		$V_{CB}=10\text{V}$, $f=1\text{MHz}$		52.8		pF

■ CLASSIFICATION OF h_{FE1}

RANK	A	B	C
RANGE	10 ~ 15	15 ~ 20	20 ~ 25

■ TEST CIRCUIT



UTC assumes no responsibility for equipment failures that result from using products at values that exceed, even momentarily, rated values (such as maximum ratings, operating condition ranges, or other parameters) listed in products specifications of any and all UTC products described or contained herein. UTC products are not designed for use in life support appliances, devices or systems where malfunction of these products can be reasonably expected to result in personal injury. Reproduction in whole or in part is prohibited without the prior written consent of the copyright owner. UTC reserves the right to make changes to information published in this document, including without limitation specifications and product descriptions, at any time and without notice. This document supersedes and replaces all information supplied prior to the publication hereof.