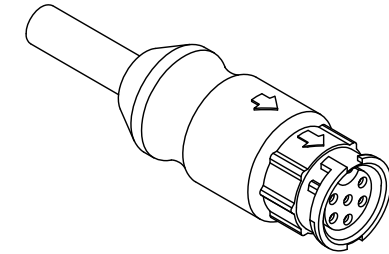
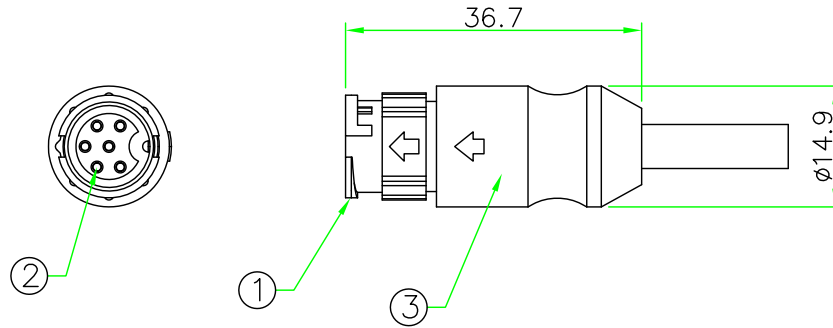


RoHS

IP66-68

REV.	DESCRIPTION	DATE
A	ISSUE	May/22/2015

Ref.



NOTES:

1. ELECTRICAL CHARACTERISTICS:

CURRENT RATING: 5A / 10A

CONNECTOR TEMPERATURE RANGE: -20°C TO +80°C

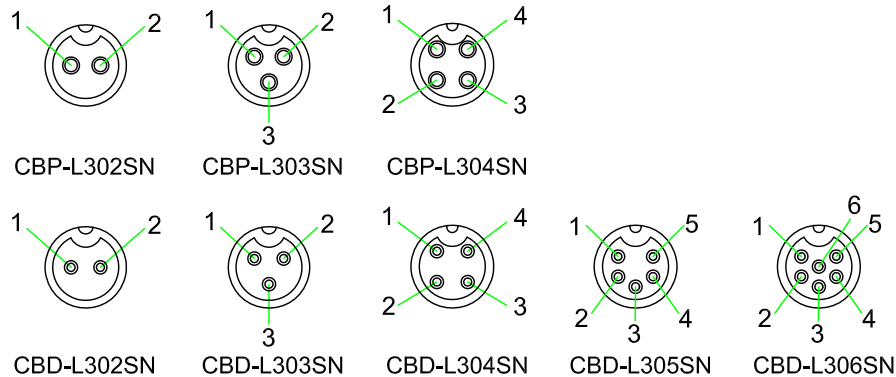
DIELECTRIC WITHSTANDING VOLTAGE:

500V AC FOR ONE MINUTE

2. HOW TO ORDER: CB_x-L3xxSN

- 02 - 2 PIN
- 03 - 3 PIN
- 04 - 4 PIN
- 05 - 5 PIN
- 06 - 6 PIN

- P - CURRENT RATING 10A
- D - CURRENT RATING 5A



PIN ASSIGNMENT FRONT VIEW
(前視圖)

HOLIN[®] HTP ASIA TECHNOLOGY CO., LTD.
禾凌科技股份有限公司

	UNIT: mm	TITLE :	Circular B Size Lock Type Male Connector Female Pin Molded Cable
SCALE	1:1	P/N:	CB _x -L3xxSN
UNLESS OTHERWISE SPECIFIED TOLERANCES: .x ± 0.5 .xx ± 0.25 .xxx ± 0.1 ANGLE ± 1°		DWG.NO:	CB _x -L3xxSN
REV.	A	SHEET	1/1
		DR.	Patty
		CH.	ERIC
		AP.	

3	OVERMOLD	PVC or PU.	BLACK	1	
2	CONTACT	Brass ,Female Pin. 6u" Gold Plated.		N	
1	CONNECTOR	B Size Male Connector Insert, NYLON+GF.	BLACK	1	
No.	PART NAME	DESCRIPTION	COLOR	Q'TY	REMARKS