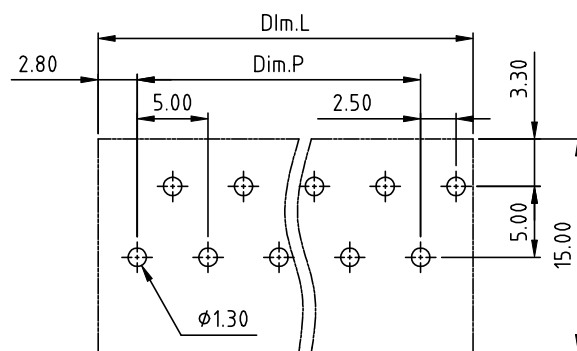
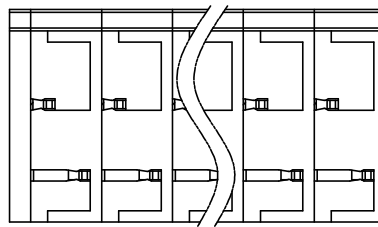
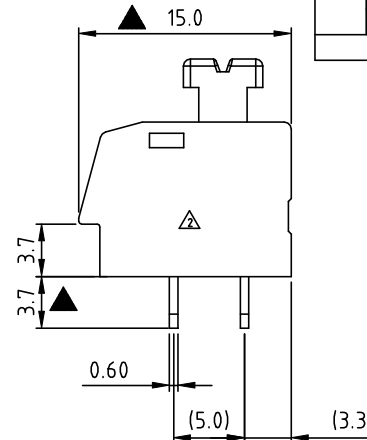
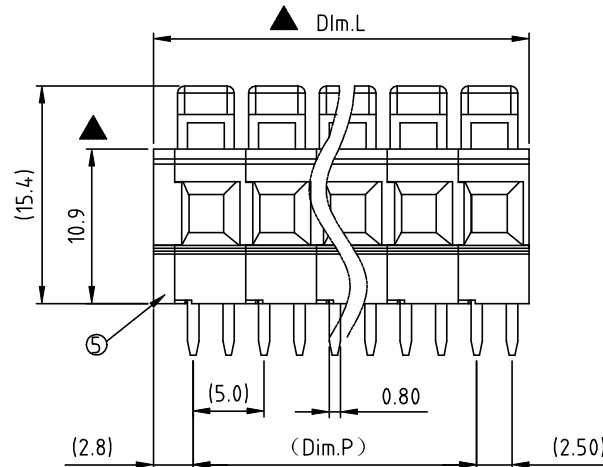
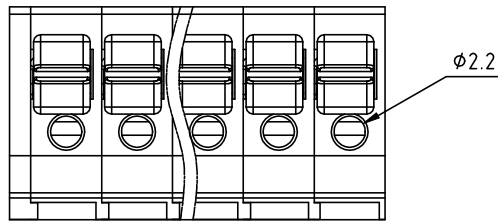
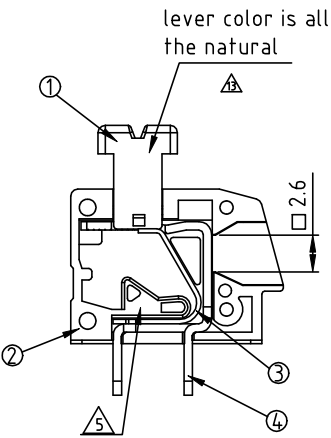


RoHS Compliant



PCB Layout
Top view

△ N = Number of poles
Dim L = (N x 5.00) + 1.5
Dim P = (N - 1) x 5.00

	Dim L
2-6p	±0.15
7-12p	±0.25
13-18p	±0.30
19-24p	±0.40

Rev.	SIGN	DATE	DESCRIPTION	APPROVER
D	△	4/14'09	In order not to violate the WAGO's patent, the construction is changed.	Marvin
F	△	12/09'10	Remove the mushroom hole of the bottom and change the electrical spec.	Runner
F	△	03/18'11	How to order is changed	Runner
G	△	04/21'11	Add is Note	Runner
H	△	08/13'12	structure design is changed	Dacheng
I	△	08/25'12	Changed from 250°C±10°/5 Sec to 260°C±5°C/5 Sec	Dacheng
J	△	10/18'13	Add is cULus	Da cheng
K	△	11/18'19	Add the Rohs compliatn&Amphenol Logo.	Guoxue
	△	11/18'19	Add the CQC,Delete VDE.	Guoxue
	△	11/18'19	Add the " Wave Soldering temperature: 260°C ±5°C/5 Sec"	Guoxue
	△	11/18'19	Add the Color code & Reference dimension	Guoxue
	△	11/18'19	Delete the "Dim.P"	Guoxue
	△	11/18'19	Add the Lever Color.	Guoxue

THIS IS CAD DRAWING, DO NOT REVISE MANUALLY!!!

- Material:
- Item ① Terminal lever: Thermoplastic (UL94V-0)
 - Item ② Terminal housing: Thermoplastic (UL94V-0)
 - Item ③ Spring clamp: Stainless steel
 - Item ④ Solder pin: Brass. Tin plated
 - Item ⑤ Terminal cover: Thermoplastic (UL94V-0)

- △ Electrical:
- | | cULus | CQC |
|--------------------------|-----------------|----------------------|
| ● Voltage rating: | 300 V | 360 V |
| ● Current rating: | 11 A | 32 A |
| ● Wire range: | | 0.5-4mm ² |
| ● Solid wire(AWG): | 12-20 | |
| ● Stranded wire(AWG): | 12-20 | |
| ● Wire strip length: | 10-11 mm | |
| ● Withstanding Voltage: | 1.6KV | 2.5KV |
| ● Operating temperature: | -40°C to +115°C | |
- △ ● Wave Soldering temperature: 260°C ±5°C/5 Sec
 △ ● Safety Approval:
 △ ● Critical dimension: ▲
 △ ● Reference dimension: ()

The dimensions of pitch are just for reference, take the actual assembly result as a judgment when inserting the terminal block into the PCB hole.

H6 xx 0 0 x 0 xxxx G

No. OF POLES
 02: 2 POLES
 ...
 24: 24 POLES

COLOR
 0 Black (RAL9005)
 2 Red (RAL3001/D)
 3 Orange (RAL2011/P)
 4 Yellow (RAL1018/A)
 5 Green (RAL6018/T)
 6 Blue (RAL5015/A)
 8 Grey (RAL7035/D)
 9 White (RAL1102)
 C Green (RAL6018/U)

RoHS compliant (lead<4%) in copper Alloy
 1000: "@" Logo (Standard)
 100A: "ANYTEK" Mark
 Any special item by customer request. please contact sales department.

Amphenol ANYTEK				CUSTOMER COPY			
ALL RIGHTS RESERVED. REPRODUCTION OR ISSUE TO THIRD PARTIES IN ANY FORM WHATSOEVER IS NOT PERMITTED WITHOUT WRITTEN AUTHORITY FROM THE PROPRIETOR. PROPERTY OF ANYTEK TECHNOLOGY CO., LTD							
TITLE		H6 5.0mm Series (Square hole) △					
PART NO.		H6xx00x0xxxxG			DWG NO.		8H60001
APPROVED		CHECKED	DESIGNED	DRAWN	CUST NO.		Tolerance
			Guoxue	Guoxue			X. ±0.50
			2019.11.18	2019.11.18			X.X ±0.30
					SHEET: 01/01		X.XX ±0.10
					REV.: K		X° ±1°