

SIGN	DATE	DESCRIPTION	APPROVER
△	9/17/10	Flow to older is changed	Runner
△	05/27/11	Voltage rating is changed from 160 V to 300 V	Steven
△	05/27/11	Withstanding Voltage is changed from 132 KV to 16 KV	Steven
△	05/27/11	Add "cULus" Safety Approval logo	Steven
△	04/16/12	Flange nut is changed	Runner
△	04/16/12	The dimension is added	Runner

THIS IS CAD DRAWING, DO NOT REWSE MANUALL Y!!!

Material:

- Item ① Terminal housing: PA66 30% (UL94 V-0)
- Item ② Contact pin of short: Copper Tin plated
- Item ③ Contact pin of long: Copper Tin plated
- Item ④ With flange nut: Brass M2.5

Electrical:

- Voltage rating: cULus 300V
- Current rating: 5.5A
- Withstanding Voltage: 16 KV
- Operating temperature: -40°C to +115°C
- Soldering temperature: 250°C ±10°C/5 Sec
- Safety Approval: cULus
- Critical dimension: △

KE XX 3 2 X 1 XXXX G

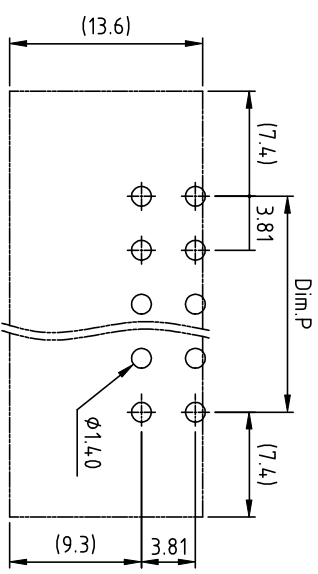
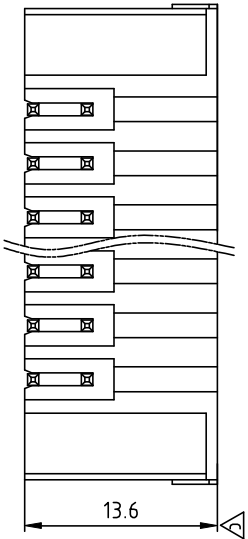
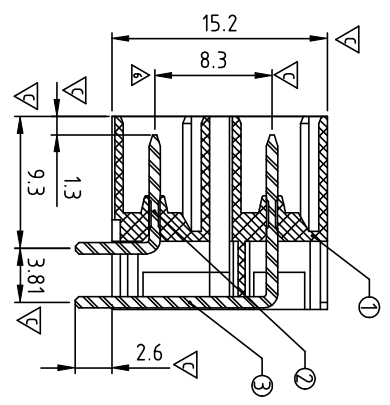
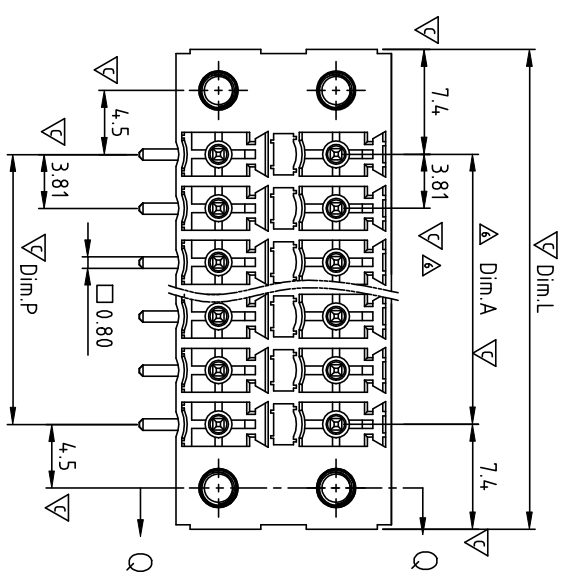
No. OF POLES: 04: 2x2 POLES
06: 2x3 POLES
48: 2x24 POLES

RoHS compliant (lead<4%)
In copper Alloy

COLOR: 0 Black (RAL9005)
1 Red (RAL3001/D)
2 Orange(RAL2011/P)
3 Yellow(RAL1018/A)
4 Green(RAL6018/T)
5 Blue (RAL5015/A)
6 Grey(RAL7035/D)

A00 0: "@ " Mark
A00 A: "ANYTEK" Mark

Any special item by customer request.
please contact sales department.



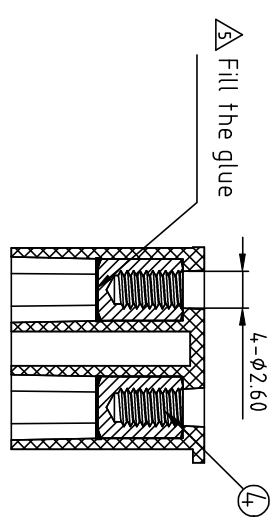
PCB Layout

DIMENSION

Dim.L	(N/2-1) x 3.81+14.8
Dim.P	(N/2-1) x 3.81
Dim.A	(N/2-1) x 3.81

N = Number of poles

	TOL		
2x2P-2x5P	2x6P-2x16P	2x17P-2x24P	
Dim.L	±0.20	±0.30	±0.40
Dim.P	±0.15	±0.25	±0.30
Dim.A	±0.15	±0.25	±0.30



SECTION Q-Q

ANYTEK

CUSTOMER COPY

ALL RIGHTS RESERVED. REPRODUCTION OR ISSUE TO THIRD PARTIES IN ANY FORM WHATSOEVER IS NOT PERMITTED WITHOUT WRITTEN AUTHORITY FROM THE PROPRIETOR. PROPERTY OF ANYTEK TECHNOLOGY CO., LTD

TITLE	KE 3.81mm With Flange Series (Right angle) DIP type		
PART NO.	KExx32x1xxxxG	DWG NO.	8KE0309
APPROVED	CHECKED	DESIGNED	DRAWN
	Runner	Runner	Runner
	2012.04.16	2010.04.12	
		SHEET: 01/01	REV: E
		UNIT: mm	Tolerance
		SCALE: NONE	X.X ±0.50
			X.XX ±0.30
			X.XXX ±0.10
			X° ±1°