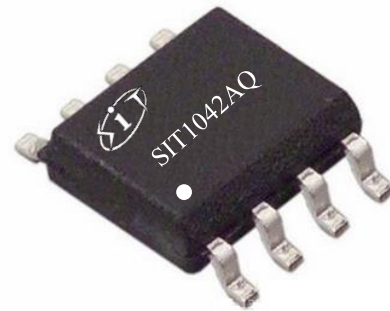


**FEATURES**

- Fully compatible with the ISO 11898 standard
- Thermally protected
- ±58V BUS protection
- Driver (TXD) and standby bus (BUS) dominant overtime function
- Low-power standby mode with wake-up function
- SIT1042AQ/3 can be interfaced directly to microcontrollers with supply voltages from 3V to 5V
- Undervoltage protection on VCC and VIO power supply pins
- Timing guaranteed for data rates up to 5 Mbit/s in the (CAN FD) fast phase
- The typical loop delay from TXD to RXD is less than 100ns
- Very low ElectroMagnetic Emission (EME)
- Unpowered nodes do not interfere with the bus
- Provide DFN3\*3-8/ HVSON8, Small Outline, Leadless Package

**PRODUCT APPEARANCE**


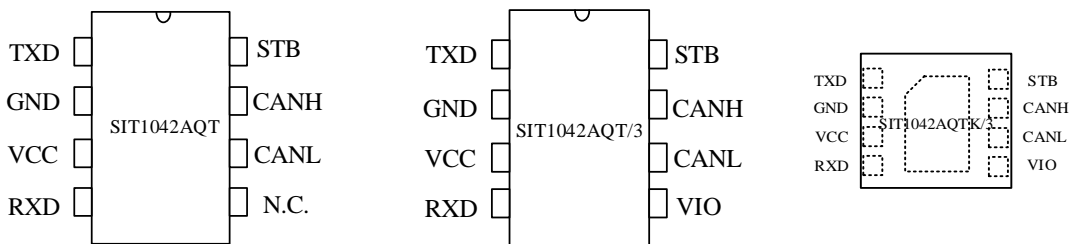
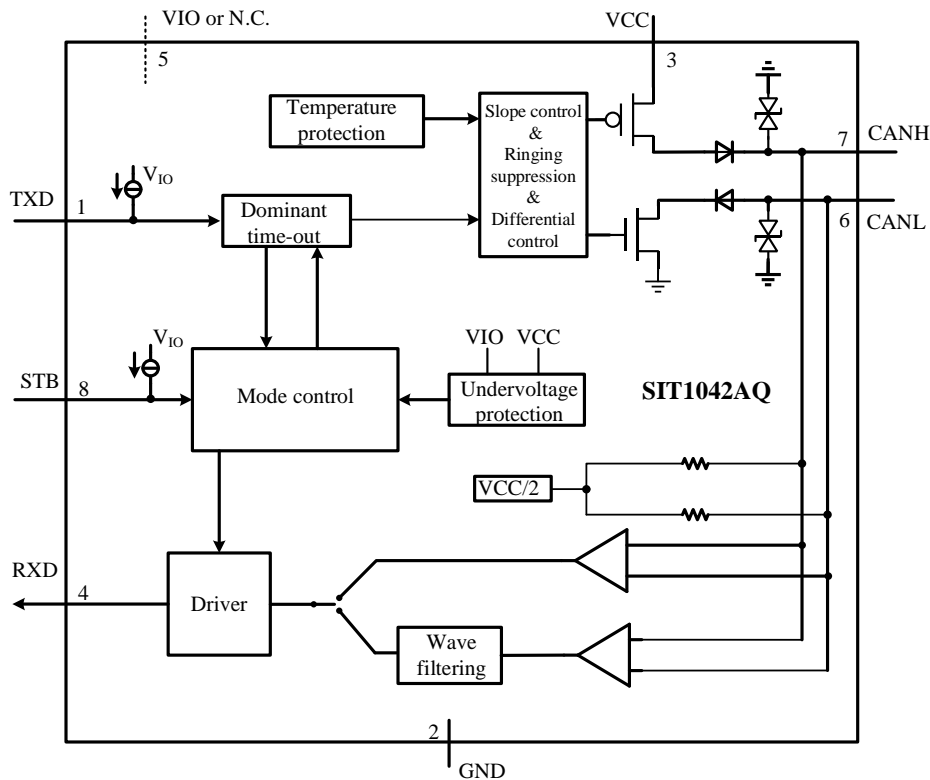
Provide Green and Environmentally  
Friendly Lead-free package

**DESCRIPTION**

SIT1042AQ is an interface chip used between the CAN protocol controller and the physical bus. It can be used in trucks, buses, cars, industrial control and other fields. It supports 5Mbps (CAN FD), and has the ability to perform differential signal transmission between bus and the CAN protocol controller. The SIT1042AQ is an upgraded version of the SIT1042Q with improved bus signal symmetry and lower electromagnetic radiation performance. In addition, the SIT1042AQ is fully compatible with SIT1042Q.

PARAMETER	SYMBOL	CONDITION	MIN.	MAX.	UNIT
Supply voltage	VCC		4.5	5.5	V
Maximum transmission rate	1/tbit	Non-return to zero code	5		Mbaud

PARAMETER	SYMBOL	CONDITION	MIN.	MAX.	UNIT
<b>CANH/CANL input or output voltage</b>	$V_{can}$		-58	+58	V
<b>Bus differential voltage</b>	$V_{diff}$		1.5	3.0	V
<b>Virtual junction temperature</b>	$T_j$		-40	150	°C

**PIN CONFIGURATION**

**INTERNAL CIRCUIT BLOCK DIAGRAM**


**LIMITING VALUES**

PARAMETER	SYMBOL	VALUE	UNIT
Supply voltage	VCC	-0.3~7	V
MCU side port	TXD, RXD, STB, VIO	-0.3~7	V
Bus side input voltage	CANL, CANH	-58~58	V
Bus differential breakdown voltage	$V_{CANH-CANL}$	-27~27	V
Storage temperature		-55~150	°C
Virtual junction temperature		-40~150	°C
Welding temperature range		300	°C

The maximum limit parameters mean that exceeding these values may cause irreversible damage to the device. Under these conditions, it is not conducive to the normal operation of the device. The continuous operation of the device at the maximum allowable rating may affect the reliability of the device. The reference point for all voltages is ground.

**PINNING**

PIN	SYMBOL	DESCRIPTION
1	TXD	transmit data input
2	GND	ground
3	VCC	supply voltage
4	RXD	receive data output; reads out data from the bus lines
5	VIO	transceiver I/O level conversion power supply voltage (SIT1042AQT/3 version)
5	N.C.	no connection (SIT1042AQT version)
6	CANL	LOW-level CAN-bus line
7	CANH	HIGH-level CAN-bus line
8	STB	standby mode control input, low level is high speed mode

**DRIVER ELECTRICAL CHARACTERISTICS**

PARAMETER	SYMBOL	CONDITION	MIN.	TYP.	MAX.	UNIT
CANH dominant output voltage	$V_{OH(D)}$	Normal mode, TXD=0V, $R_L=50\Omega$ to $65\Omega$	2.75	3.5	4.5	V
CANL dominant output voltage	$V_{OL(D)}$		0.5	1.5	2.25	V
Bus dominant differential output voltage	$V_{OD(D)}$	Normal mode, TXD=0V, $R_L=50\Omega$ to $65\Omega$	1.5		3	V
		Normal mode, TXD=0V, $R_L=45\Omega$ to $70\Omega$	1.4		3.3	V
		Normal mode, TXD=0V, $R_L=2240\Omega$	1.5		5	V
Bus recessive output voltage	$V_{O(R)}$	Normal mode, TXD=VIO, No load	2	0.5VCC	3	V
Bus recessive differential output voltage	$V_{OD(R)}$	Normal mode, TXD=VIO, No load	-500		50	mV
Bus output voltage (Bus is biased to ground)	$V_{O(S)}$	Standby mode, No load	-0.1		0.1	V
Bus differential output voltage (Bus is biased to ground)	$V_{OD(S)}$	Standby mode, No load	-0.2		0.2	V
Transmitter dominant voltage symmetry	$V_{dom(TX)sym}$	$V_{dom(TX)sym}=VCC-$ CANH - CANL	-400		400	mV
Transmitter voltage symmetry	$V_{TXsym}$	$V_{TXsym}=CANH +$ CANL, $R_L=60\Omega$ , $C_{SPLIT}=4.7nF$ , $f_{TXD}=250kHz$ , 1MHz, 2MHz Fig 5	0.9VCC		1.1VCC	V
Dominant-recessive common-mode output	$V_{cm(step)}$	Fig 3, Fig 5	-150		150	mV

PARAMETER	SYMBOL	CONDITION	MIN.	TYP.	MAX.	UNIT
voltage difference						
Dominant-recessive common-mode peak-to-peak	$V_{cm(p-p)}$	Fig 3, Fig 5	-300		300	mV
Dominant Short-circuit output current	$I_{O(SC)DOM}$	Normal mode, TXD=0V, CANH=-15V to 40V	-100	-70	-40	mA
		Normal mode, TXD=0V, CANL=-15V to 40V	40	70	100	mA
Recessive Short-circuit output current	$I_{O(SC)REC}$	Normal mode, TXD=VIO, CANH=CANL=-27V to 32V	-3		3	mA

Unless otherwise stated, all typical values are measured at 25°C, supply voltage VCC=5V, VIO=5V (if applicable),  $R_L=60\Omega$ .

## DRIVER SWITCHING CHARACTERISTICS

PARAMETER	SYMBOL	CONDITION	MIN.	TYP.	MAX.	UNIT
Propagation delay time, low-to-high level output	$t_{d(TXD-busdom)}$	Normal mode, Fig 1, Fig 4		45		ns
Propagation delay time, high-to-low level output	$t_{d(TXD-busrec)}$	Normal mode, Fig 1, Fig 4		55		ns
Differential output signal rise time	$t_{r(BUS)}$			45		ns
Differential output signal fall time	$t_{f(BUS)}$			45		ns

Unless otherwise stated, all typical values are measured at 25°C, supply voltage VCC=5V, VIO=5V (if applicable),  $R_L=60\Omega$ .

**RECEIVER ELECTRICAL CHARACTERISTICS**

PARAMETER	SYMBOL	CONDITION	MIN.	TYP.	MAX.	UNIT
Receiver threshold voltage	$V_{th(RX)dif}$	Normal mode, $-30V < V_{CM} < 30V$	0.5		0.9	V
		Normal mode, $-12V < V_{CM} < 12V$	0.4		1.15	V
Receiver threshold voltage hysteresis range	$V_{hys(RX)dif}$	Normal mode, $-30V < V_{CM} < 30V$	50	120	400	mV
Receiver recessive voltage range	$V_{rec(RX)}$	Normal mode, $-30V < V_{CM} < 30V$	-3		0.5	V
		Standby mode, $-12V < V_{CM} < 12V$	-3		0.4	V
Receiver dominant voltage range	$V_{dom(RX)}$	Normal mode, $-30V < V_{CM} < 30V$	0.9		8	V
		Standby mode, $-12V < V_{CM} < 12V$	1.15		8	V
Bus leakage current	$I_L$	$V_{CC}=V_{IO}=0V$ , CANH= CANL=5V	-10		10	$\mu A$
CANH, CANL input resistance	$R_{IN}$	$-2V \leq CANH \leq 7V$ $-2V \leq CANL \leq 7V$	9	15	28	k $\Omega$
CANH, CANL differential-input resistance	$R_{ID}$	$-2V \leq CANH \leq 7V$ $-2V \leq CANL \leq 7V$	19	30	52	k $\Omega$
CANH, CANL input resistance mismatch	$\Delta R_{IN}$	$0V \leq CANH \leq 5V$ $0V \leq CANL \leq 5V$	-2		2	%
CANH, CANL input capacitance to ground	$C_{IN}$	TXD=VIO		24		pF
CANH, CANL differential-input capacitance	$C_{ID}$	TXD=VIO		12		pF
Bus slew rate	SR	Bus differential voltage dominant to recessive edge			70	V/ $\mu s$

Unless otherwise stated, all typical values are measured at 25°C, supply voltage VCC=5V, VIO=5V (if applicable), RL=60 $\Omega$ .

**RECEIVER SWITCHING CHARACTERISTICS**

PARAMETER	SYMBOL	CONDITION	MIN.	TYP.	MAX.	UNIT
Propagation delay time, low-to-high level output	$t_{d(\text{busdom-RXD})}$	Normal mode, Fig 1, Fig 4		45		ns
Propagation delay time, low-to-high level output	$t_{d(\text{busrec-RXD})}$	Normal mode, Fig 1, Fig 4		45		ns
RXD signal rise time	$t_{r(\text{RXD})}$			8		ns
RXD signal fall time	$t_{f(\text{RXD})}$			8		ns

Unless otherwise stated, all typical values are measured at 25°C, supply voltage VCC=5V, VIO=5V (if applicable), RL=60Ω.

**DEVICE SWITCHING CHARACTERISTICS**

PARAMETER	SYMBOL	CONDITION	MIN.	TYP.	MAX.	UNIT
Loop delay 1, TXD falling edge to RXD falling edge	$t_{\text{loop1}}$	Normal mode, Fig 1, Fig 4	40		160	ns
Loop delay 2, TXD rising edge to RXD rising edge	$t_{\text{loop2}}$	Normal mode, Fig 1, Fig 4	40		175	ns
Bit time of BUS output pin	$t_{\text{bit}(\text{BUS})}$	$t_{\text{bit}(\text{TXD})}=500\text{ns}$	435		530	ns
		$t_{\text{bit}(\text{TXD})}=200\text{ns}$	155		210	ns
Bit time of RXD output pin	$t_{\text{bit}(\text{RXD})}$	$t_{\text{bit}(\text{TXD})}=500\text{ns}$	400		550	ns
		$t_{\text{bit}(\text{TXD})}=200\text{ns}$	120		220	ns
Time difference between BUS and RXD output bits	$\Delta t_{\text{rec}}$	$\Delta t_{\text{rec}}=t_{\text{bit}(\text{RXD})}-t_{\text{bit}(\text{BUS})};$ $t_{\text{bit}(\text{TXD})}=500\text{ns}$	-65		40	ns
		$\Delta t_{\text{rec}}=t_{\text{bit}(\text{RXD})}-t_{\text{bit}(\text{BUS})};$ $t_{\text{bit}(\text{TXD})}=200\text{ns}$	-45		15	ns
TXD dominant timeout	$t_{\text{dom\_TXD}}$		0.8	2	4	ms
BUS dominant timeout	$t_{\text{dom\_BUS}}$		0.8	2	4	ms
Enable time from standby mode to normal mode	$t_{\text{EN}}$				10	μs

PARAMETER	SYMBOL	CONDITION	MIN.	TYP.	MAX.	UNIT
Wake-up time of BUS	$t_{WAKE}$		0.5		1.8	$\mu s$

Unless otherwise stated, all typical values are measured at 25°C, supply voltage  $V_{CC}=5V$ ,  $V_{IO}=5V$  (if applicable),  $R_L=60\Omega$ .

### TXD PIN CHARACTERISTICS

PARAMETER	SYMBOL	CONDITION	MIN.	TYP.	MAX.	UNIT
HIGH-level input current	$I_{IH}(TXD)$	$TXD=V_{IO}$	-5		5	$\mu A$
LOW-level input current	$I_{IL}(TXD)$	$TXD=0V$	-260	-150	-30	$\mu A$
Leakage current of TXD without power	$I_{O(off)}$	$V_{CC}=V_{IO}=0V$ , $TXD=5.5V$	-1		1	$\mu A$
HIGH-level input voltage	$V_{IH}$	SIT1042AQT/3	$0.7V_{IO}$		$V_{IO}+0.3$	V
LOW-level input voltage	$V_{IL}$	SIT1042AQT/3	-0.3		$0.3V_{IO}$	V
HIGH-level input voltage	$V_{IH}$	SIT1042AQT	2		$V_{CC}+0.3$	V
LOW-level input voltage	$V_{IL}$	SIT1042AQT	-0.3		0.8	V
Open voltage on TXD pin	$TXD_O$		H			logic

Unless otherwise stated, all typical values are measured at 25°C, supply voltage  $V_{CC}=5V$ ,  $V_{IO}=5V$  (if applicable),  $R_L=60\Omega$ .

### STB PIN CHARACTERISTICS

PARAMETER	SYMBOL	CONDITION	MIN.	TYP.	MAX.	UNIT
HIGH-level input current	$I_{IH}(STB)$	$STB=V_{IO}$	-2		2	$\mu A$
LOW-level input current	$I_{IL}(STB)$	$STB=0V$	-20		-2	$\mu A$
Leakage current of STB without power	$I_{O(off)}$	$V_{CC}=V_{IO}=0V$ , $STB=5.5V$	-1		1	$\mu A$
HIGH-level input voltage	$V_{IH}$	SIT1042AQT/3	$0.7V_{IO}$		$V_{IO}+0.3$	V



PARAMETER	SYMBOL	CONDITION	MIN.	TYP.	MAX.	UNIT
LOW-level input voltage	$V_{IL}$	SIT1042AQT/3	-0.3		$0.3V_{IO}$	V
HIGH-level input voltage	$V_{IH}$	SIT1042AQT	2		$V_{CC}+0.3$	V
LOW-level input voltage	$V_{IL}$	SIT1042AQT	-0.3		0.8	V
Open voltage on STB pin	$STB_O$		H			logic

Unless otherwise stated, all typical values are measured at 25°C, supply voltage  $V_{CC}=5V$ ,  $V_{IO}=5V$  (if applicable),  $R_L=60\Omega$ .

### RXD PIN CHARACTERISTICS

PARAMETER	SYMBOL	CONDITION	MIN.	TYP.	MAX.	UNIT
HIGH-level input current	$I_{OH}(RXD)$	$V_{IO}=V_{CC}$ , $RXD=V_{IO}-0.4V$	-8	-3	-1	mA
LOW-level input current	$I_{OL}(RXD)$	$RXD=0.4V$ , Bus dominant	2	5	12	mA
Leakage current of RXD without power	$I_{O(off)}$	$V_{CC}=V_{IO}=0V$ , $RXD=5.5V$	-1		1	$\mu A$

Unless otherwise stated, all typical values are measured at 25°C, supply voltage  $V_{CC}=5V$ ,  $V_{IO}=5V$  (if applicable),  $R_L=60\Omega$ .

### SUPPLY CURRENT

PARAMETER	SYMBOL	CONDITION	MIN.	TYP.	MAX.	UNIT	
VCC supply current	$I_{CC\_D}$	Normal mode, dominant		45	70	mA	
	$I_{CC\_R}$	Normal mode, recessive		5	10	mA	
	$I_{CC\_STB}$	Standby mode, $STB=TXD=V_{IO}$ , (SIT1042AQT/3)			0.5	5	$\mu A$
		Standby mode, $STB=TXD=V_{CC}$ , (SIT1042AQT)			12	20	$\mu A$

PARAMETER	SYMBOL	CONDITION	MIN.	TYP.	MAX.	UNIT
VIO supply current	I <sub>IO_D</sub>	Normal mode, dominant		170	300	μA
	I <sub>IO_R</sub>	Normal mode, recessive		15	30	μA
	I <sub>IO_STB</sub>	Standby mode, STB=TXD=VIO		10	17	μA

Unless otherwise stated, all typical values are measured at 25°C, supply voltage VCC=5V, VIO=5V (if applicable), R<sub>L</sub>=60Ω.

## OVER TEMPERATURE PROTECTION

PARAMETER	SYMBOL	CONDITION	MIN.	TYP.	MAX.	UNIT
Shutdown junction temperature	T <sub>j(sd)</sub>			190		°C

Unless otherwise stated, all typical values are measured at 25°C, supply voltage VCC=5V, VIO=5V (if applicable), R<sub>L</sub>=60Ω.

## UNDERVOLTAGE PROTECTION

PARAMETER	SYMBOL	CONDITION	MIN.	TYP.	MAX.	UNIT
VCC undervoltage protection	V <sub>uvd_VCC</sub>		3.7	4	4.3	V
VIO undervoltage protection	V <sub>uvd_VIO</sub>		1.7	2	2.3	V

Unless otherwise stated, all typical values are measured at 25°C, supply voltage VCC=5V, VIO=5V (if applicable), R<sub>L</sub>=60Ω.

## ESD PERFORMANCE

PARAMETER	SYMBOL	CONDITION	MIN.	TYP.	MAX.	UNIT
CAN bus pin contact discharge model (IEC)	V <sub>ESD_IEC</sub>	IEC 61000-4-2: Contact discharge (CANH, CANL)	-4		+4	kV
Human body model (HBM)	V <sub>ESD_HBM</sub>	All ports	-8		+8	kV
Charged device model	V <sub>ESD_CDM</sub>		-750		+750	V

PARAMETER	SYMBOL	CONDITION	MIN.	TYP.	MAX.	UNIT
(CDM)						
Machine model (MM)	V <sub>ESD_MM</sub>		-300		+300	V

**FUNCTION TABLE**
**Table1. CAN TRANSCEIVER TRUTH TABLE**

TXD <sup>(1)</sup>	STB <sup>(1)</sup>	CANH <sup>(1)</sup>	CANL <sup>(1)</sup>	BUS STATE	RXD <sup>(1)</sup>
L	L	H	L	Dominate	L
H or Open	L	0.5VCC	0.5VCC	Recessive	H
X	H or Open	GND	GND	Recessive	H

(1) H=high level; L=low level; X=irrelevant.

**Table 2. RECEIVER FUNCTION TABLE**

OPERATING MODE	V <sub>ID</sub> =CANH-CANL	BUS STATE	RXD <sup>(1)</sup>
Normal mode	V <sub>ID</sub> ≥0.9V	Dominate	L
	0.5<V <sub>ID</sub> <0.9V	?	?
	V <sub>ID</sub> ≤0.5V	Recessive	H
Standby mode	V <sub>ID</sub> ≥1.15V	Dominate	L
	0.4<V <sub>ID</sub> <1.15V	?	?
	V <sub>ID</sub> ≤0.4V	Recessive	H

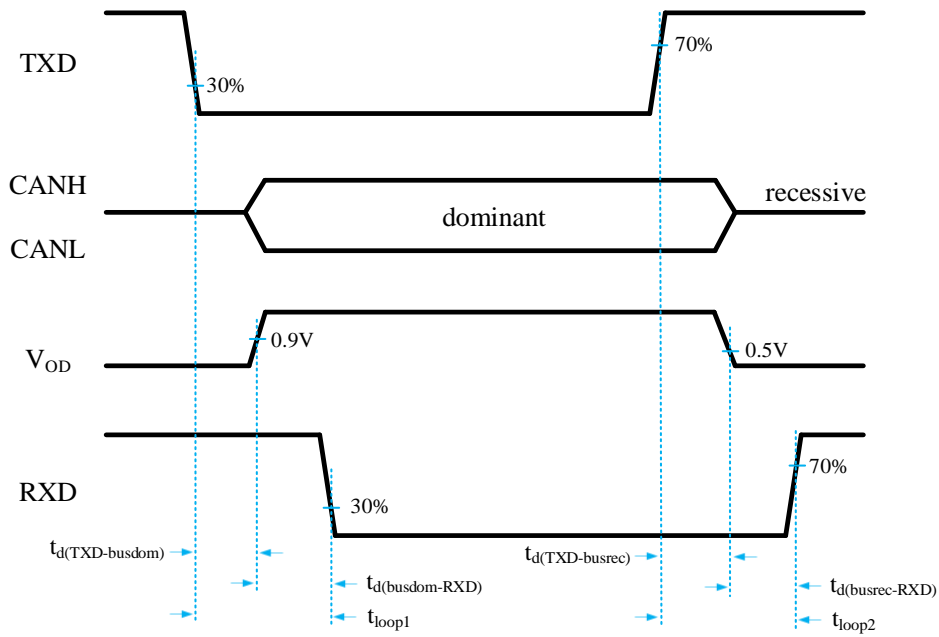
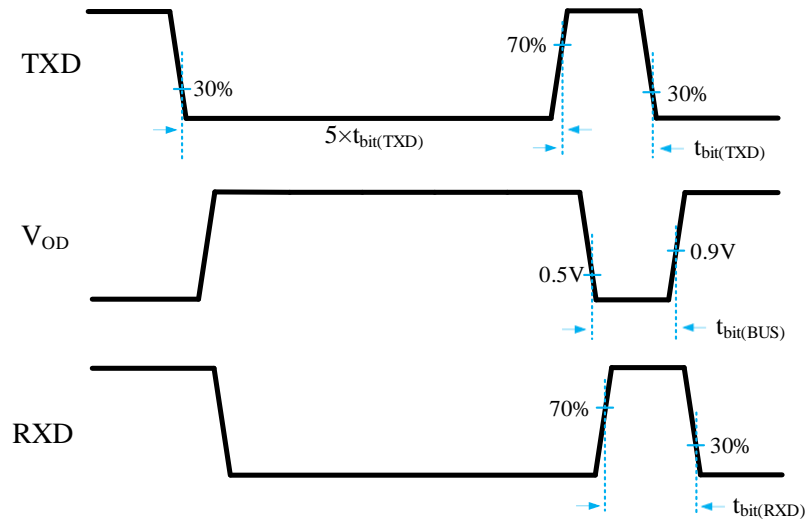
(1) H=high level; L=low level; ?=uncertain.

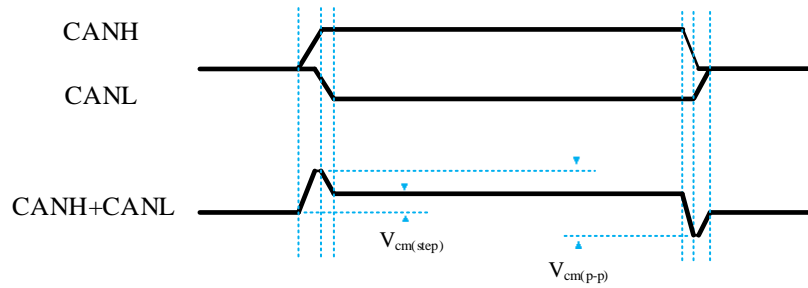
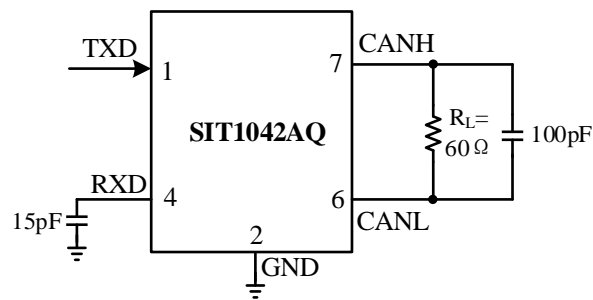
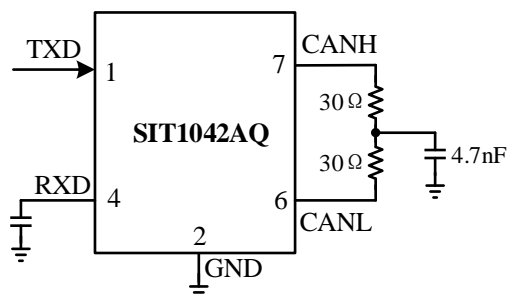
**Table 3. UNDERVOLTAGE PROTECTION STATUS TABLE**

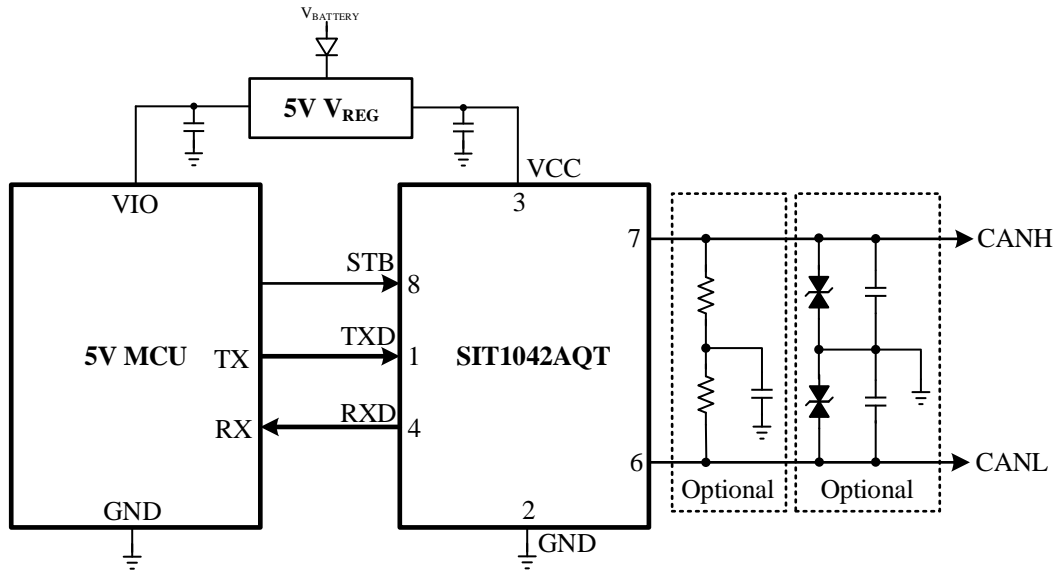
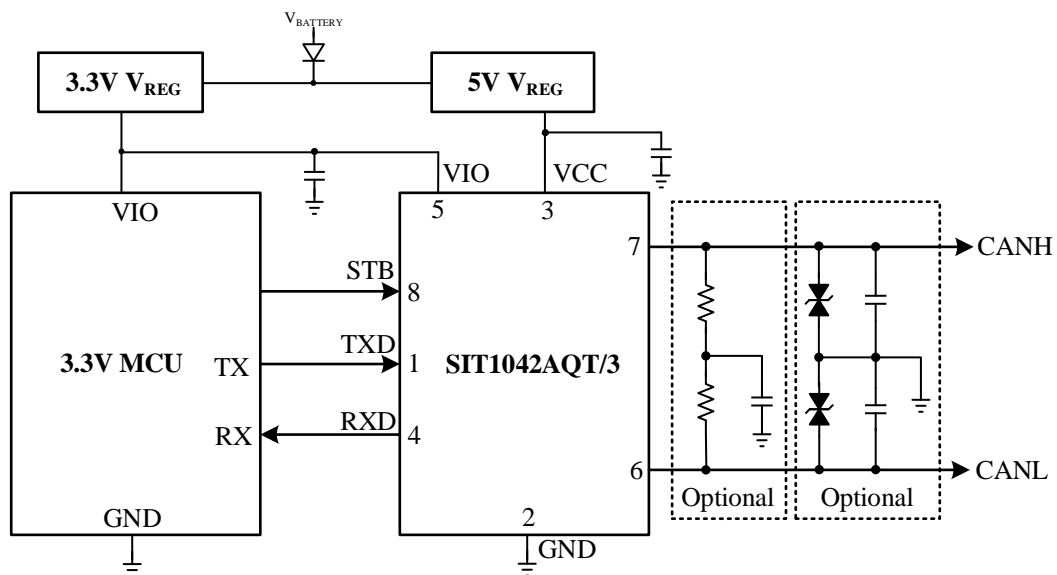
VCC	VIO <sup>(1)</sup>	BUS STATE	BUS OUTPUT <sup>(2)</sup>	RXD <sup>(2)</sup>
VCC>V <sub>uvd_VCC</sub>	VIO>V <sub>uvd_VIO</sub>	Normal	According to STB and TXD	Follow the bus
VCC<V <sub>uvd_VCC</sub>	VIO>V <sub>uvd_VIO</sub>	Protected status	GND	H
VCC>V <sub>uvd_VCC</sub>	VIO<V <sub>uvd_VIO</sub>	Protected status	Z	H
VCC<V <sub>uvd_VCC</sub>	VIO<V <sub>uvd_VIO</sub>	Protected status	Z	H

(1) SIT1042AQT/3 version only;

(2) H=high level; Z=high ohmic.

**TIMING WAVEFORM**

**Fig 1 Transceiver transmission delay**

**Fig 2  $t_{bit}$  delay**


**Fig 3 Bus common-mode voltage (SAE 1939-14)**
**TEST CIRCUIT**

**Fig 4 Transceiver timing sequence test circuit**

**Fig 5 Transceiver bus symmetry test circuit**

**TYPICAL APPLICATION DIAGRAM**

**Fig 6 SIT1042AQT and 5V MCU typical application diagram**

**Fig 7 SIT1042AQT/3 and 3.3V MCU typical application diagram**

**ADDITIONAL DESCRIPTION****1 Sketch**

SIT1042AQ is an interface chip applied between the CAN protocol controller and the physical bus. It can be applied to trucks, buses, cars, industrial control and other fields. It supports 5Mbps flexible data rate (CAN FD) and has the ability to transmit differential signals between the bus and the CAN protocol controller. Fully compatible with ISO 11898 standard.

**2 Short-circuit protection**

A current-limiting circuit protects the transmitter output stage from damage caused by accidental short-circuit to either positive or negative supply voltage, although power dissipation increases during this fault condition.

**3 Over temperature protection**

The output drivers are protected against over-temperature conditions. If the virtual junction temperature exceeds the shutdown junction temperature  $T_{j(sd)}$ , the output drivers will be disabled until the virtual junction temperature becomes lower than  $T_{j(sd)}$  and TXD becomes recessive again.

By including the TXD condition, the occurrence of output driver oscillation due to temperature drifts is avoided.

**4 Undervoltage protection**

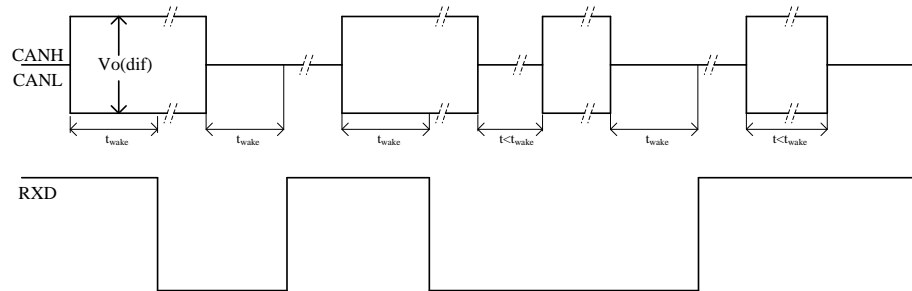
The SIT1042AQ power supply pin has an undervoltage detection function, which can put the device in a protected mode. This protects the bus when VCC is lower than  $V_{uvd\_VCC}$  or VIO is lower than  $V_{uvd\_VIO}$ .

**5 Control mode**

The SIT1042AQ provides two modes of operation which are selectable via pin STB: High-speed mode and standby mode.

High-speed mode is normal working mode, by connecting STB to ground to set the SIT1042AQ to high-speed mode. In this mode the transceiver is able to transmit and receive data via the bus lines CANH and CANL. The differential receiver converts the analog data on the bus lines into digital data which is output to pin RXD via the multiplexer (MUX).

Set pin STB to high level to activate low power standby mode. CAN driver and receiver are turned off to save system power consumption. A high level on the pin STB activates this low-power receiver and wake-up filter, and pin RXD becomes low once the low-power differential comparator detects that the dominant bus level of the  $T_{WAKE}$  is exceeded. (In SIT1042AQ/3, when the VCC is undervoltage or the VCC is open, the low-power receiver can still detect dominant and recessive level on the bus as long as the VIO is powered properly.)



**Fig 8 Wake-up timing**

### 6 TXD dominant time-out function

A 'TXD dominant time-out' timer circuit prevents the bus lines from being driven to a permanent dominant state (blocking all network communication) if pin TXD is forced permanently LOW by a hardware and/or software application failure. The timer is triggered by a falling edge on pin TXD.

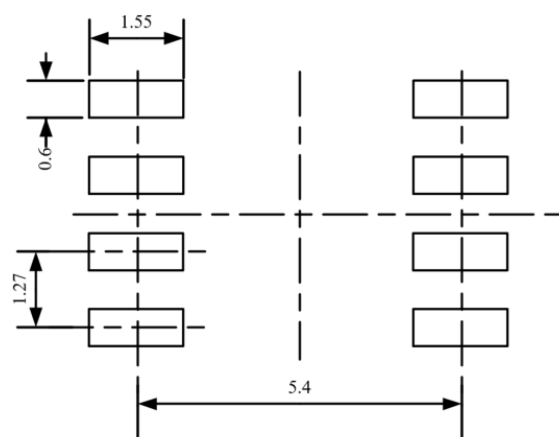
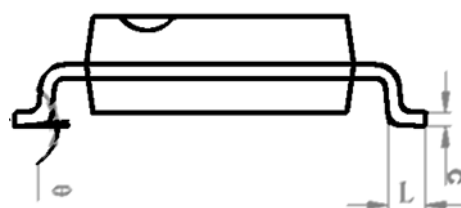
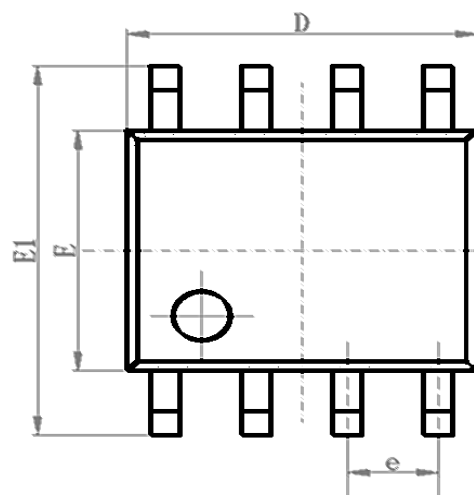
If the duration of the LOW level on pin TXD exceeds the internal timer value ( $t_{dom}$ ), the transmitter is disabled, driving the bus lines into a recessive state. The timer is reset by a rising edge on pin TXD.

In standby mode, the pin RXD is forced to high if the bus becomes dominant and lasts longer than ( $t_{dom\_BUS}$ ), which can prevent permanent wakeup due to a short circuit in the bus or the failure of another node on the network. It can be reset when the bus changes from dominant to recessive.

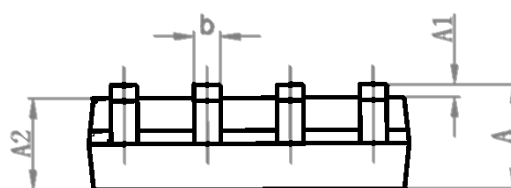


**SOP8 DIMENSIONS**
**PACKAGE SIZE**

SYMBOL	MIN./mm	TYP./mm	MAX./mm
A	1.40	-	1.80
A1	0.10	-	0.25
A2	1.30	1.40	1.50
b	0.38	-	0.51
D	4.80	4.90	5.00
E	3.80	3.90	4.00
E1	5.80	6.00	6.20
e		1.27BSC	
L	0.40	0.60	0.80
c	0.20	-	0.25
$\theta$	0°	-	8°

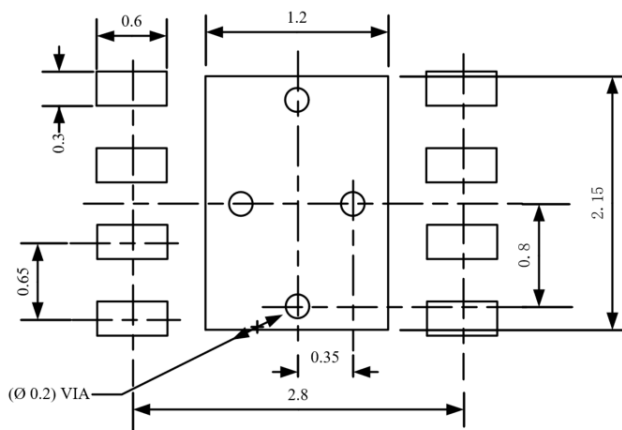
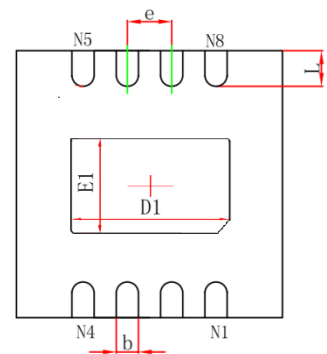
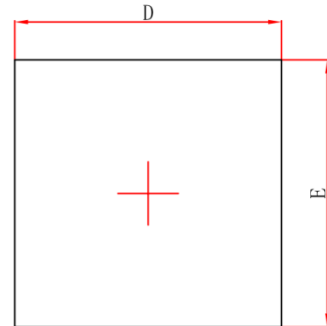


LAND PATTERN EXAMPLE (Unit: mm)

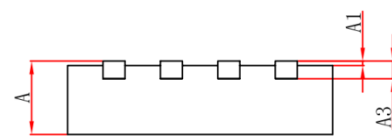


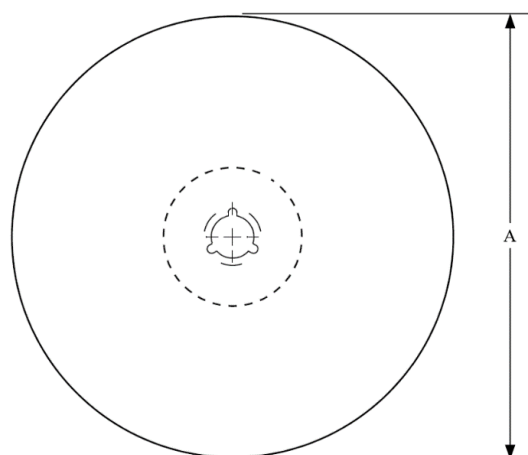
**DFN3\*3-8 /HVSON8 DIMENSIONS**
**PACKAGE SIZE**

SYMBOL	MIN/mm	TYP /mm	MAX/mm
A	0.70	0.75	0.80
A1	0	0.02	0.05
A3	0.203 REF		
D	2.90	3.00	3.10
E	2.90	3.00	3.10
D1	2.05	2.15	2.25
E1	1.10	1.20	1.30
b	0.25	0.30	0.35
e	0.65 TYP		
L	0.35	0.4	0.45

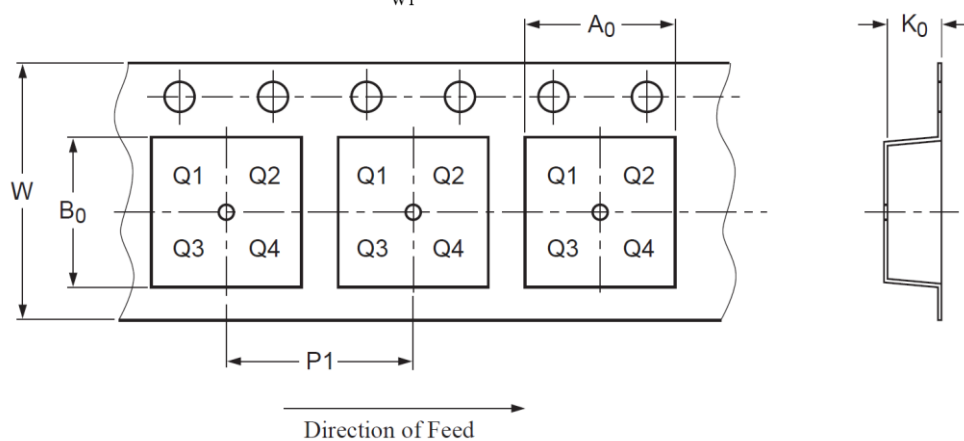
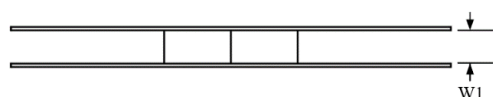


LAND PATTERN EXAMPLE (Unit: mm)



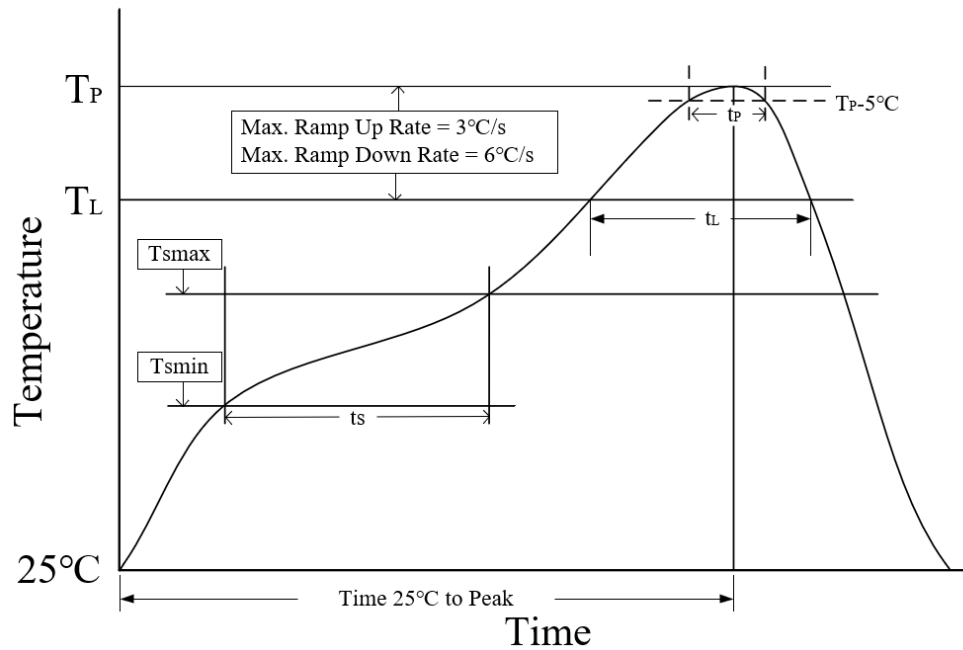
**TAPE AND REEL INFORMATION**


A0	Dimension designed to accommodate the component width
B0	Dimension designed to accommodate the component length
K0	Dimension designed to accommodate the component thickness
W	Overall width of the carrier tape
P1	Pitch between successive cavity centers



PIN1 is in quadrant 1

Package Type	Reel Diameter A (mm)	Tape Width W1 (mm)	A0 (mm)	B0 (mm)	K0 (mm)	P1 (mm)	W (mm)
SOP8	330 $\pm$ 1	12.4	6.60 $\pm$ 0.1	5.30 $\pm$ 0.10	1.90 $\pm$ 0.1	8.00 $\pm$ 0.1	12.00 $\pm$ 0.1
DFN3*3-8	329 $\pm$ 1	12.4	3.30 $\pm$ 0.1	3.30 $\pm$ 0.1	1.10 $\pm$ 0.1	8.00 $\pm$ 0.1	12.00 $\pm$ 0.3

**REFLOW SOLDERING**


Parameter	Lead-free soldering conditions
Ave ramp up rate ( $T_L$ to $T_P$ )	3 °C/second max
Preheat time $t_s$ ( $T_{smin}=150\text{ °C}$ to $T_{smax}=200\text{ °C}$ )	60-120 seconds
Melting time $t_L$ ( $T_L=217\text{ °C}$ )	60-150 seconds
Peak temp $T_P$	260-265 °C
5°C below peak temperature $t_p$	30 seconds
Ave cooling rate ( $T_P$ to $T_L$ )	6 °C/second max
Normal temperature 25°C to peak temperature $T_P$ time	8 minutes max

**ORDERING INFORMATION**

TYPE NUMBER	PACKAGE	PACKING
SIT1042AQT	SOP8	Tape and reel
SIT1042AQT/3	SOP8	Tape and reel
SIT1042AQTK/3	DFN3*3-8 / HVSON8, small shape, no leads, 8 terminals	Tape and reel

SOP8 package is 2500 pieces/disc. DFN3\*3-8 / HVSON8 package is 6000 pieces/disc.

**Important statement**

SIT reserves the right to change the above-mentioned information without prior notice.

**REVISION HISTORY**

Version number	Data sheet status	Revision Date
V1.0	initial version	August 2022