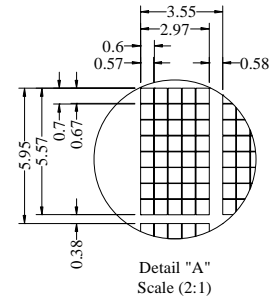
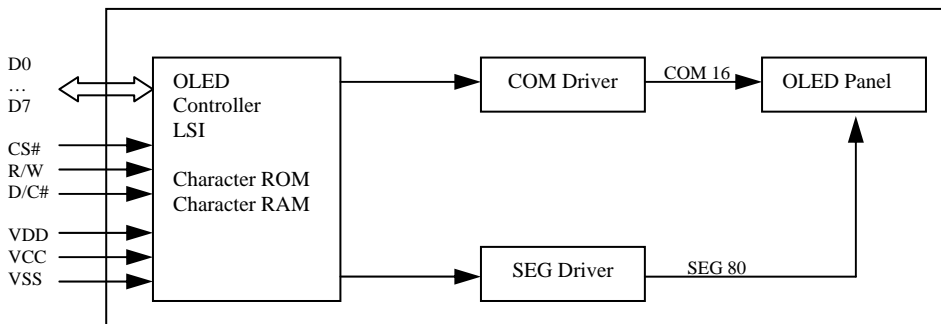
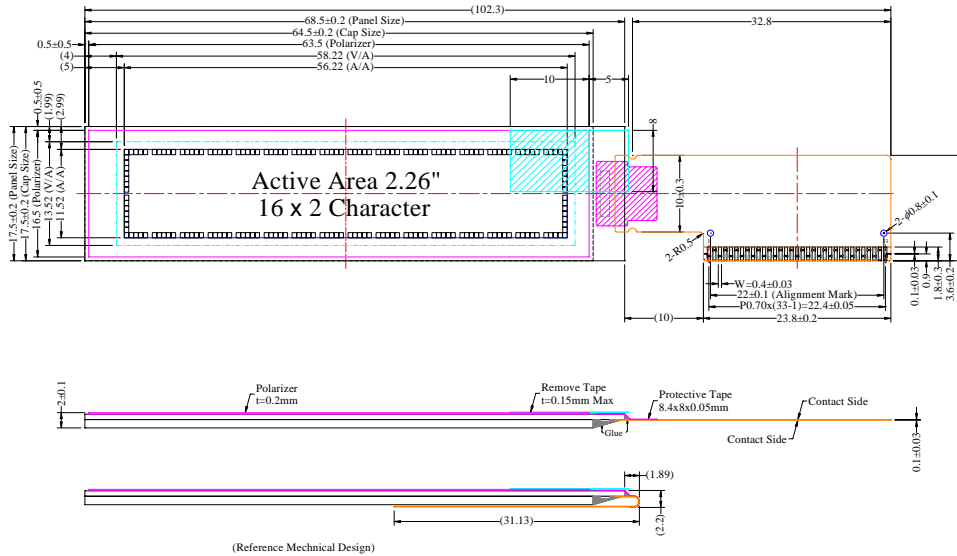




UC-1602ASYCG01 / UC-1602ASWCG01

1) Outline Dimension & Block Diagram



2) Pin Assignment & Optical/Electrical Character

PIN ASSIGNMENT					
Pin No.	Symbol	Function	Pin No.	Symbol	Function
1	N.C.	-	18	D0	Data Bus Line
2	VSL	SEG Voltage Reference	19	D1	Data Bus Line
3	VSS	Ground Pin	20	D2	Data Bus Line
4	REGVDD	VDD Regulator Select	21	D3	Data Bus Line
5	SHLC	COM Scan Direction	22	D4	Data Bus Line
6	SHLS	SEG Driving Direction	23	D5	Data Bus Line
7	VDD	Core Logic voltage	24	D6	Data Bus Line
8	VDDIO	I/O voltage	25	D7	Data Bus Line
9	BS0	MCU I/F Select	26	IREF	SEG Current Reference
10	BS1	MCU I/F Select	27	ROM0	Character ROM Select
11	BS2	MCU I/F Select	28	ROM1	Character ROM Select
12	GPIO		29	OPR0	Character RAM Select
13	CS#	Chip Select	30	OPR1	Character RAM Select
14	RES#	Rest Signal Input	31	VCOMH	COM Voltage Level
15	D/C#	Data/Command Control	32	VCC	Power Supply
16	R/W#(WR#)	Data read/write Control	33	N.C.	-
17	E(RD#)	Enable Singal			

ABSOLUTE MAXIMUM RATING					
Item	Symbol	Condition	Min.	Max.	Unit
Supply for Logic Voltage	VDD-VSS	25°C	2.4	5.5	V
OLED Driving Supply Voltage	VCC-VSS	25°C	7	13	V
Input Voltage	V _{in}	25°C	TBD	TBD	V

ELECTRICAL CHARACTERISTICS						
Item	Symbol	Condition	Min.	Typical	Max.	Unit
Power Supply Voltage	VDD-VSS	25°C	2.4	-	5	V
OLED operation voltage	VCC-VSS	25°C	7	12	13	V
Operating Current for VCC	ICC	25°C	-	27	32	mA

OPTICAL CHARACTERISTICS						
Item	Symbol	Condition	Min.	Typical	Max.	Unit
Brightness w/polarizer	L		120	150	-	cd/m ²
C.I.E. (White)	(x,y)		(0.25, 0.27)	(0.29, 0.31)	(0.33, 0.33)	
C.I.E. (Yellow)	(x,y)		(0.46, 0.45)	(0.50, 0.49)	(0.54, 0.53)	
Dark Room Contrast	CR		-	>10,000:1	-	
View Angle			-	Free	-	degree