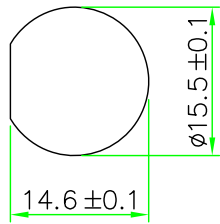
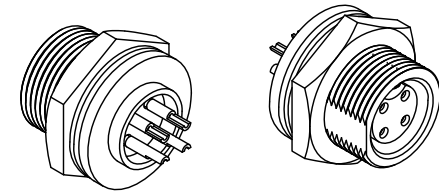
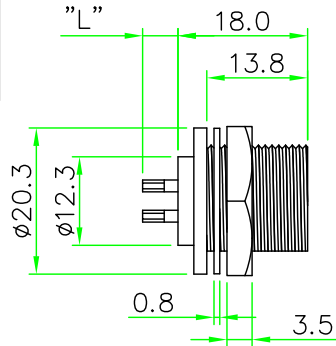


REV.	DESCRIPTION	DATE
A	ISSUE	Oct/28/2015

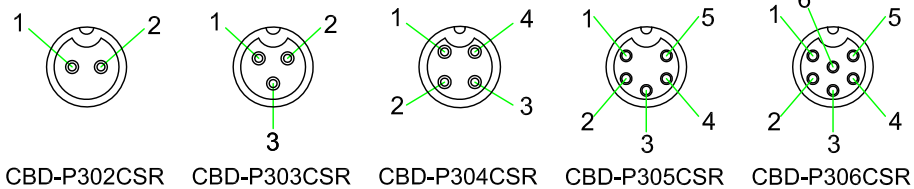
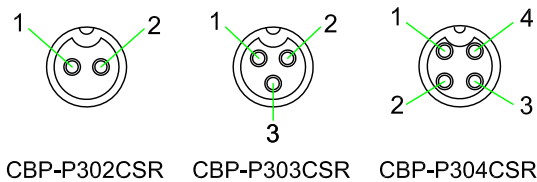
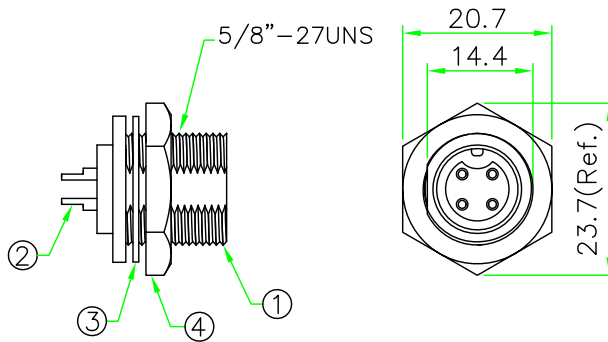


RECOMMEND
PANEL CUT OUT

P/N	L
CBP	6.8
CBD	4.8



RoHS
IP66~68



PIN ASSIGNMENT FRONT VIEW
(前視圖)

NOTES:

- ELECTRICAL CHARACTERISTICS:
CURRENT RATING: 5A / 10A
CONNECTOR TEMPERATURE RANGE: -25°C TO +85°C
DIELECTRIC WITHSTANDING VOLTAGE:
500V AC FOR ONE MINUTE
- PANEL THICKNESS MAX. 4.0
- HOW TO ORDER: CBx-P3xxCSR

- 02 - 2 PIN
- 03 - 3 PIN
- 04 - 4 PIN
- 05 - 5 PIN
- 06 - 6 PIN

- P - CURRENT RATING 10A
- D - CURRENT RATING 5A

4	HEX NUT	NYLON+GF.	BLACK	1	
3	GASKET	EPDM.	BLACK	1	
2	CONTACT	Brass, 6 u" Gold Plated. Female Contact.		N	
1	CONNECTOR	B Size Male Connector Insert. NYLON+GF.	BLACK	1	
No.	PART NAME	DESCRIPTION	COLOR	Q'TY	REMARKS

HOLIN® HTP ASIA TECHNOLOGY CO., LTD. 禾凌科技股份有限公司					
		UNIT: mm	TITLE : Circular B Size Male Connector Female Pin Rear Mount Screw Type Round Flange Solder Bucket Pin		
SCALE	1:1	P/N: CBx-P3xxCSR		DR.	Patty
UNLESS OTHERWISE SPECIFIED TOLERANCES:		.X ± 0.5 .XX ± 0.25 .XXX ± 0.1		CH.	ERIC
REV.	SHEET	DWG.NO: CBx-P3xxCSR		AP.	
A	1/1				