

SIGN	DATE	DESCRIPTION	APPROVER
△	04/07'10	Add the 2P mark	Runner
△	09/20'10	Layout of Hook and Pillar & Current rating is changed	Runner
△	05/11'11	The dimensions is Changed from 26.3 & 14.5 to 26.5 & 14.7	Chen Bo
△	08/22'12	Update the drawing	Da cheng
△	10/16'13	Add is cULus // update the drawing	Da cheng

THIS IS CAD DRAWING, DO NOT REVISE MANUALLY!!!

Material:

- Item 1 Female contact :PhBz Tin plated
- Item 2 Spring Clamp: Stainless steel
- Item 3 Terminal housing (With hook):Thermoplastic (UL94V-0)
- Item 4 Terminal housing (With Pillar):Thermoplastic (UL94V-0)
- Item 5 Terminal (cover):Thermoplastic (UL94V-0)
- Item 6 Pad board: Thermoplastic (UL94V-0)

Electrical: cULus

- Voltage rating: 300 V
- Current rating: 15 A
- Wire range:
- Solid wire(AWG): 12-28
- Stranded wire(AWG): 12-28
- Wire strip length: 8-9mm
- Withstanding Voltage: 1.6KV
- Operating temperature: -40°C to +115°C

- Safety Approval:
- Critical dimension:

△ HI xx 3 0 x 0 xxxx G RoHS compliant (lead<4%) △

POLES: 02: 2pole, ... "", 16: 16pole

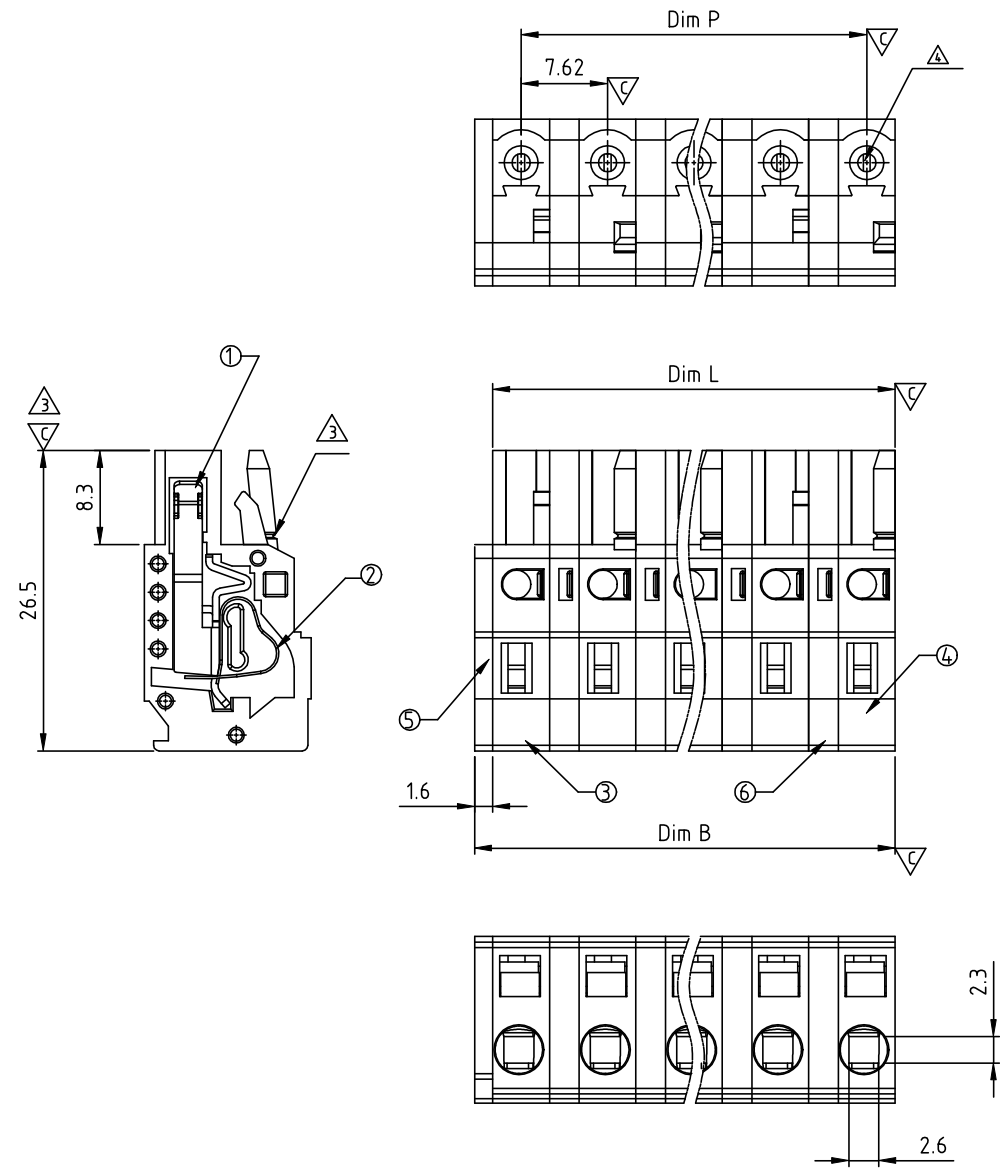
△ Body Color

- 0 Black (RAL9005)
- 2 Red (RAL3001/D)
- 3 Orange(RAL2011/P)
- 4 Yellow(RAL1018/A)
- 5 Green(RAL6018/T)
- 6 Blue (RAL5015/A)
- 8 Grey(RAL7035/D)
- 9 White(RAL1102)
- C Green(RAL6018/U)

0000: "@ " Logo (Standard) (Steel screw plating Cr)

000A: "ANYTEK" Mark

Any special item by customer request. please contact sales department.



Layout of Hook and Pillar:

2P	Hook+Pillar
3P	Hook+Hook+Pillar
4P	Hook+Pillar+Hook+Pillar
5P	Hook+Pillar+Pillar+Hook+Pillar
5P over	Hook+Pillar+Pillar+Hook+Pillar

DIM	TOL				
	2P-4P	5P-8P	9P-12P	13P-16P	
Dim L	N×7.62-2.62	±0.15	±0.25	±0.30	±0.40
Dim P	(N-1)×7.62	±0.15	±0.25	±0.30	±0.40
Dim B	N×7.62-1.02	±0.15	±0.25	±0.30	±0.40

Amphenol

ANYTEK

CUSTOMER COPY

ALL RIGHTS RESERVED. REPRODUCTION OR ISSUE TO THIRD PARTIES IN ANY FORM WHATSOEVER IS NOT PERMITTED WITHOUT WRITTEN AUTHORITY FROM THE PROPRIETOR. PROPERTY OF ANYTEK TECHNOLOGY CO., LTD

TITLE		HI 7.62mm Without flange Series			
PART NO.	HIxx30x0xxxxG	DWG NO.	8HI0201		
APPROVED	CHECKED	DESIGNED	DRAWN	CUST NO.	Tolerance
		Dacheng 2013.10.16	Dacheng 2013.10.16		X. ±0.50
					UNIT: mm
				SHEET: 01/01	X.XX ±0.10
				REV.: G	X° ±1°