



**RAYSTAR**

**曜凌光電股份有限公司**

Web: [www.raystar-optronics.com](http://www.raystar-optronics.com) E-mail: [sales@raystar-optronics.com](mailto:sales@raystar-optronics.com)

## **RFE430V-AIH-DNS**

---

### **SPECIFICATION**

---

## General Specifications

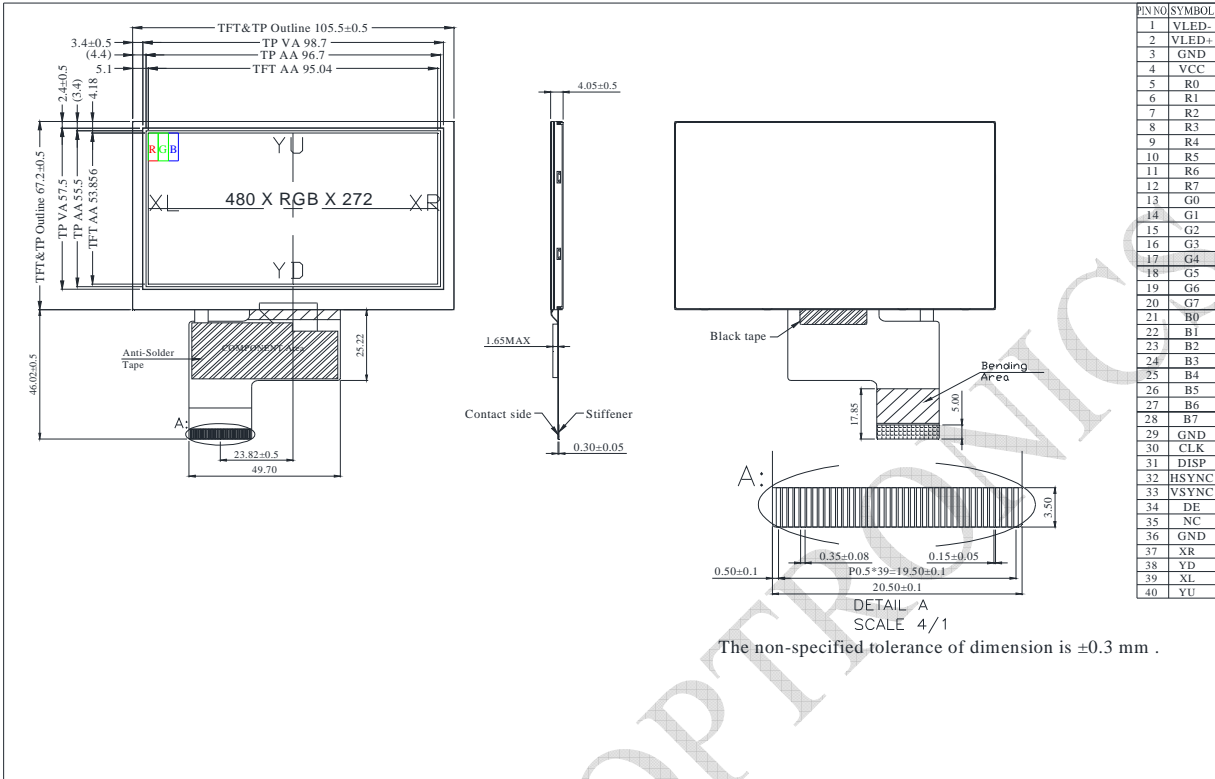
- Size: 4.3 inch
  - Dot Matrix: 480 x RGB x 272(TFT) dots
  - Module dimension: 105.5(W) x 67.2(H) x 4.05(D) mm
  - Active area: 95.04 x 53.856 mm
  - Dot pitch: 0.066 x 0.198 mm
  - LCD type: TFT, Normally White, Transmissive
  - View Direction: 12 o'clock
  - Gray Scale Inversion Direction: 6 o'clock
  - Aspect Ratio: 16:9
  - TFT Driver IC: ST7282-G4-1L
  - Interface: 24-bit RGB
  - Backlight Type: LED, Normally White
  - Touch Panel: With RTP
  - Surface: Anti-Glare
- \*Color tone slight changed by temperature and driving voltage.

## Interface

### LCM PIN Definition

Pin	Symbol	Function
1	VLED-	Power for LED backlight cathode
2	VLED+	Power for LED backlight anode
3	GND	Power ground
4	VCC	Power voltage
5	R0	Red data (LSB)
6	R1	Red data
7	R2	Red data
8	R3	Red data
9	R4	Red data
10	R5	Red data
11	R6	Red data
12	R7	Red data (MSB)
13	G0	Green data (LSB)
14	G1	Green data
15	G2	Green data
16	G3	Green data
17	G4	Green data
18	G5	Green data
19	G6	Green data
20	G7	Green data (MSB)
21	B0	Blue data (LSB)
22	B1	Blue data
23	B2	Blue data
24	B3	Blue data
25	B4	Blue data
26	B5	Blue data
27	B6	Blue data
28	B7	Blue data (MSB)
29	GND	Power ground
30	CLK	Pixel clock
31	DISP	Display on/off
32	HSYNC	Horizontal sync signal; negative polarity
33	VSYNC	Vertical sync signal; negative polarity
34	DE	Data Enable
35	NC	No connection
36	GND	Power ground
37	XR	Right electrode
38	YD	Down electrode
39	XL	Left electrode
40	YU	Top electrode

# Contour Drawing



## Absolute Maximum Ratings

Item	Symbol	Min	Typ	Max	Unit
Operating Temperature	TOP	-20	—	+70	°C
Storage Temperature	TST	-30	—	+80	°C

## Electrical Characteristics

### Operating conditions

Item	Symbol	Min	Typ	Max	Unit
Supply Voltage For Logic	Vcc	3.1	3.3	3.5	V
Digital operation current	ICC		22	33	mA

### LED driving conditions

Parameter	Symbol	Min	Typ	Max	Unit
LED current	-	-	40	-	mA
Power Consumption	-	928	1024	1088	mW
LED voltage	VBL+	23.2	25.6	27.2	V
LED Life Time	-	-	50,000	-	Hr