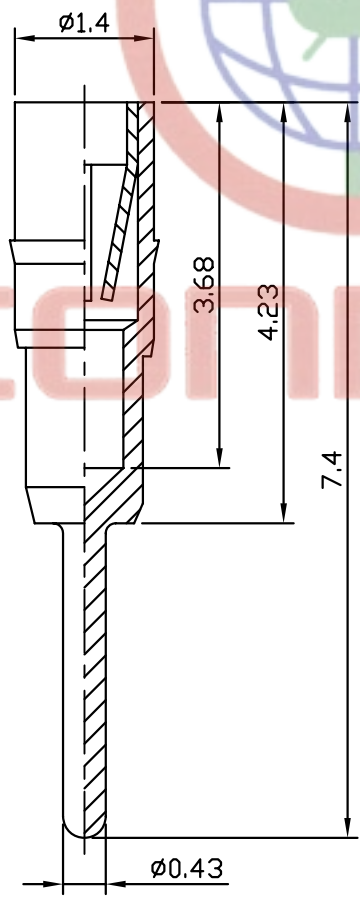


REV.	DESCRIPTION	DRAWN	CHECKED	APPROVED
A	NEW RELEASE	HP 07/12/05		

TECHNICAL DATA

- MATERIAL
 - Pin(Outer Sleeve): Brass,Machined,CuZn38Pb2
 - Clip(Contact 4/6 Finger): Copper alloy,Heat Treated
- ELECTRICAL
 - Current Rating: 1A Per Pin max.
 - Contact Resistance: $\leq 20m\Omega$ /Contact.



- MECHANICAL
 - *Average Insertion Force With Steel Pin of $\phi 0.43mm/0.017"$:
 - 4-Finger $\leq 270g$, 6-Finger $\leq 120g$
 - *Average Withdrawal Force With Steel Pin of $\phi 0.50mm/0.020"$:
 - 4-Finger $\geq 25g$, 6-Finger $\geq 15g$.
 - *Mechanical Life: min 200 Cycles

4. PRODUCT NUMBER CODE:
DS1005-08 - X X X

CLIP PLATED
6: Full Tin
8: Full Gold flash
C: Full Gold 3u"
A: Full Gold 10u"
B: Full Gold 15u"

PIN PLATED
6: Full Tin
8: Full Gold flash
C: Full Gold 3u"
A: Full Gold 10u"
B: Full Gold 15u"

CLIPS
3: 3Finger
4: 4Finger
6: 6Finger

SERIES NO
DS1005-08

Tel:86-574-63508787
Fax:86-574-63511117
E-mail:sale@zhenxiang.com.cn
Http://www.connfly.com

GENERAL TOLERANCE		ANGLE TOLERANCE		PROJECTION		TITLE	SOCKET TERMINALS 7.4mm	
X.	± 0.20	X.	$\pm 2^\circ$	UNITS	mm	SHEET SIZE	A4	SERIES
.X	± 0.10	.X	$\pm 1^\circ$			DS1005-08		
.XX	± 0.05	.XX	$\pm 0.5^\circ$					
DRAWING TYPE		CUSTOMER				晨翔电子有限公司 CONNFLY CONNFLY ELECTRONIC CO. LTD		
SCALE		SHEET						
DRAWING NO.		1 OF 1						
		C-DS1005-08-XXX						