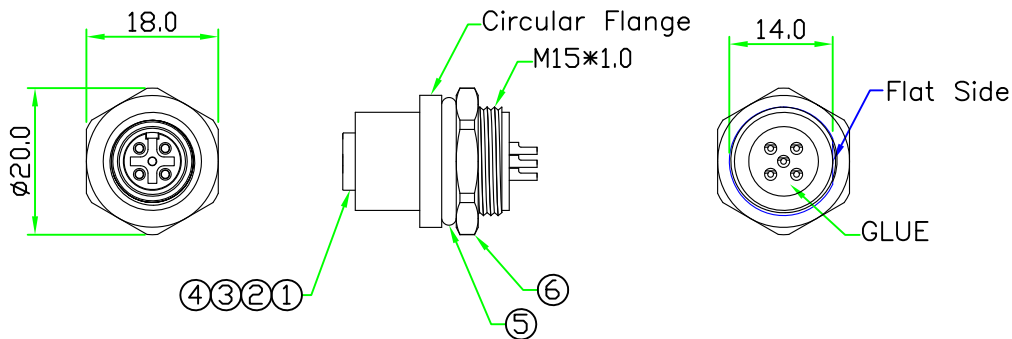
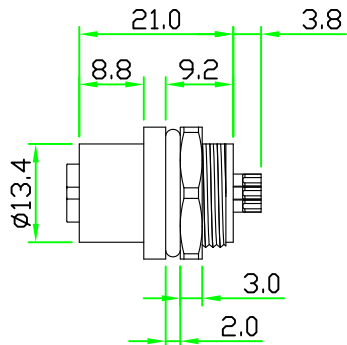


Recommended
Panel Cut-Out

RoHS

IP66~68



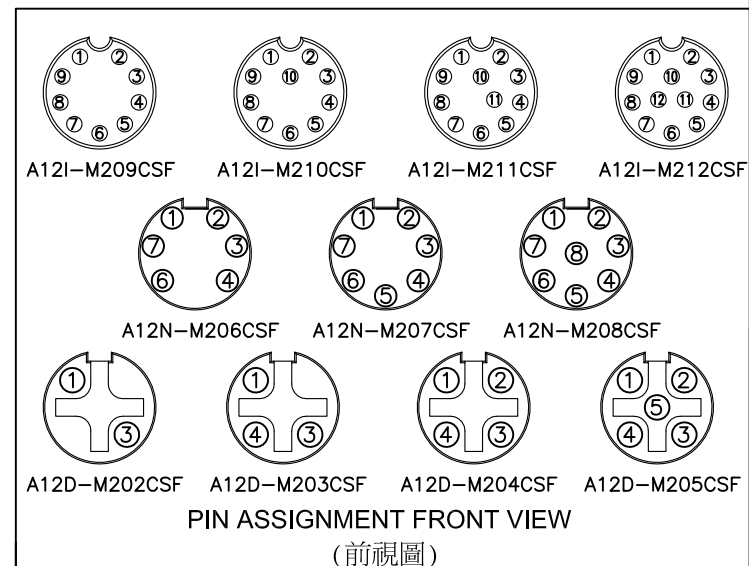
REV.	DESCRIPTION	DATE
A	ISSUE	Oct/06/2014

NOTES:

- ELECTRICAL CHARACTERISTICS:
CURRENT RATING: 1.5A / 2A / 4A
TEMPERATURE RANGE: -25°C TO +85°C
DIELECTRIC WITHSTANDING VOLTAGE:
500V AC FOR ONE MINUTE
- HOW TO ORDER: A12x-M2xxCSF

- 02 - 2 PIN 08 - 8 PIN
- 03 - 3 PIN 09 - 9 PIN
- 04 - 4 PIN 10 - 10PIN
- 05 - 5 PIN 11 - 11PIN
- 06 - 6 PIN 12 - 12PIN
- 07 - 7 PIN

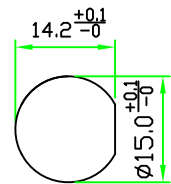
- I - CURRENT RATING 1.5A
- N - CURRENT RATING 2A
- D - CURRENT RATING 4A



HOLIN® HTP ASIA TECHNOLOGY CO., LTD.
禾凌科技股份有限公司

6	HEX NUT	Brass, Nickel Plated.		1	
5	O-RING	Silcon.	BROWN	1	
4	O-RING	VITON.	BLACK	1	
3	HOUSING	Brass, Nickel Plated.		1	
2	CONTACT	Brass , 6 u" Gold Plated .Female Contact.		N	
1	CONNECTOR	M12 A-Coding Female Connector Insert.NYLON+GF.	BLACK	1	
No.	PART NAME	DESCRIPTION	COLOR	Q'TY	REMARKS

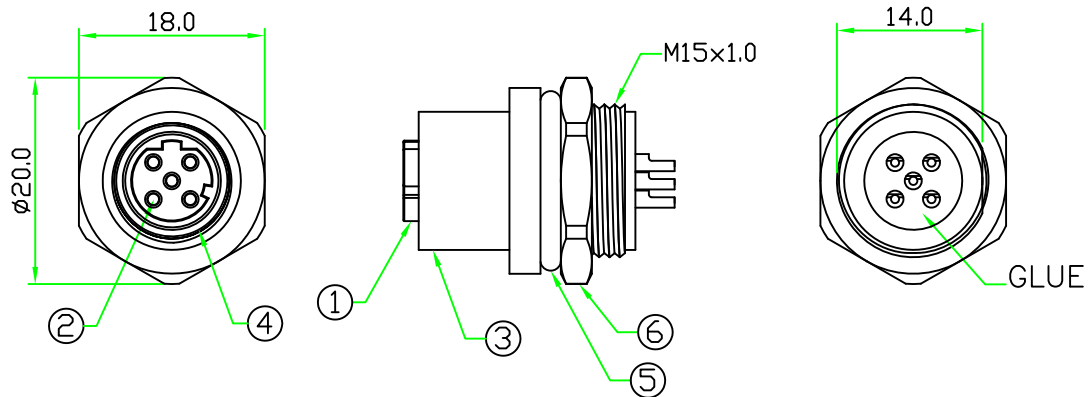
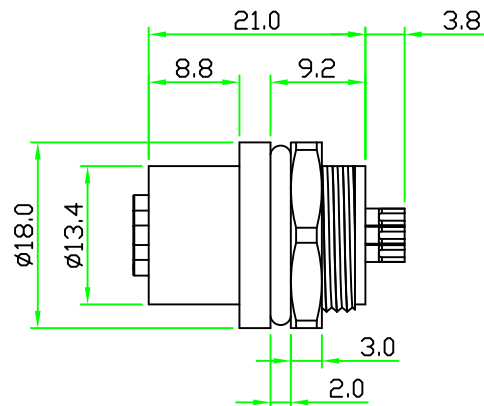
	UNIT: mm	TITLE :	M12 A-Coding Female Panel Front mount Circular Flange Solder Bucket Pin Connector
SCALE	1:1	P/N:	A12x-M2xxCSF
UNLESS OTHERWISE SPECIFIED TOLERANCES: .x ± 0.25 .xx ± 0.1 .xxx ± 0.05 ANGLE ± 1°	REV.	SHEET	DR. Patty CH. ERIC
A	1/1	DWG.NO:	A12x-M2xxCSF AP.



Recommended Panel Cut Out

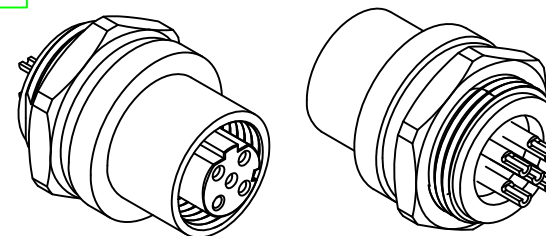
RoHS

IP66~68



REV.	DESCRIPTION	DATE
A	ISSUE	Nov/19/2015

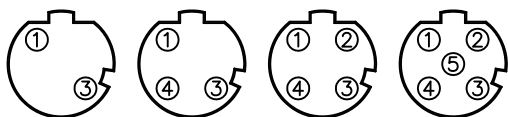
Ref.



NOTES:

- ELECTRICAL CHARACTERISTICS:
CURRENT RATING: 4A
TEMPERATURE RANGE: -25°C TO +85°C
DIELECTRIC WITHSTANDING VOLTAGE:
500V AC FOR ONE MINUTE
- PANEL THICKNESS MAX. 3.0mm
- HOW TO ORDER: D12D-M2xxCSF

- 02 - 2 PIN
- 03 - 3 PIN
- 04 - 4 PIN
- 05 - 5 PIN



D12D-M202CSF D12D-M203CSF D12D-M204CSF D12D-M205CSF

Pin Assignment Front View (前視圖)

No.	PART NAME	DESCRIPTION	COLOR	Q'TY	REMARKS
6	HEX NUT	BRASS, Nickel Plated.		1	
5	O-RING	SILICON.	BROWN	1	
4	O-RING	VITON.	BLACK	1	
3	HOUSING	BRASS, Nickel Plated.		1	
2	CONTACT	BRASS, 6 u" Gold Plated. Female Contact.		N	
1	CONNECTOR	M12 D-Coding Female Connector Insert. NYLON+GF.	BLACK	1	

HOLIN® HTP ASIA TECHNOLOGY CO., LTD. 禾凌科技股份有限公司	
	UNIT: mm
SCALE	1.5:1
TITLE : M12 D-Coding Female Connector Female Pin Front Mount Circular Flange Solder Bucket Pin	
UNLESS OTHERWISE SPECIFIED TOLERANCES: .X ± 0.5 .XX ± 0.25 .XXX ± 0.1 ANGLE ± 1°	
P/N:	D12D-M2xxCSF
DR.	Patty
CH.	ERIC
REV.	A
SHEET	1/1
DWG.NO:	D12D-M2xxCSF
AP.	