

SIGN	DATE	DESCRIPTION	APPROVER
△	12/22/09	Add UL standard	Jacke
△	10/20/11	The dimensions are added	Aaron
△	11/18'13	Update the drawing	Chen Bo

THIS IS CAD DRAWING, DO NOT REVISE MANUALLY!!!

Dimension

Dim L	N×5.08
Dim B	(N-1)×5.08
Dim C	(N-1)×5.08

N= Number of poles

Poles	Tolerance
2p-5p	±0.15
6p-10p	±0.25
11p-15p	±0.30
16p-24p	±0.40

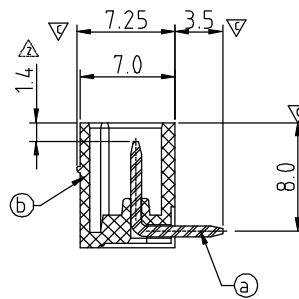
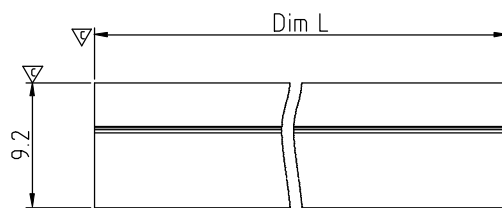
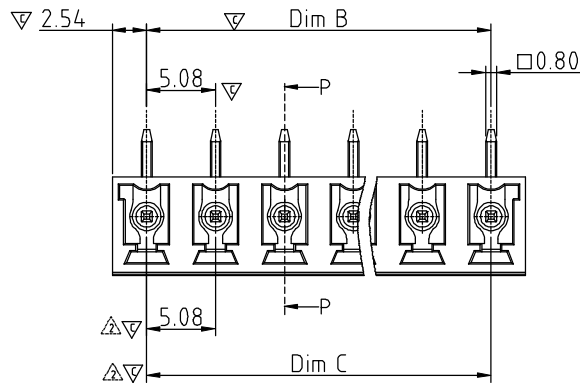
Material:

- Item ③ Male contact pin: Copper, Tin plated
- Item ④ Terminal(housing): Thermoplastic (UL94V-0)

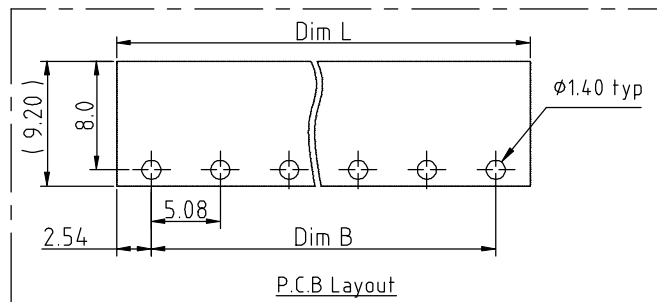
Electrical:

- Voltage rating: 300V
- Current rating: 10A
- Withstanding Voltage: 1.6 KV
- Operating temperature: -40°C to +115°C
- Soldering temperature: 260°C±5°C/5 Sec

- △ ● Safety Approval: **us**
- Critical dimension: ▽



SECTION P-P



PART NO. VS xx 51 x 1 xxxx G

No. OF POLES
 02 2 CONTACTS
 03 3 CONTACTS

 24 24 CONTACTS

Color
 0 Black (RAL9005)
 2 Red (RAL3001/D)
 3 Orange(RAL2011/P)
 4 Yellow(RAL1018/A)
 5 Green(RAL6018/T)
 6 Blue (RAL5015/A)
 8 Grey(RAL7035/D)
 9 White(RAL1102)
 C Green(RAL6018/U)

G RoHS compliant (lead<4%)
 In copper Alloy
 0000: "@ " Logo (Standard)
 000A: "ANYTEK" Mark
 Any special item by customer request, please contact sales department.

ANYTEK				CUSTOMER COPY			
<small>ALL RIGHTS RESERVED. REPRODUCTION OR ISSUE TO THIRD PARTIES IN ANY FORM WHATSOEVER IS NOT PERMITTED WITHOUT WRITTEN AUTHORITY FROM THE PROPRIETOR. PROPERTY OF ANYTEK TECHNOLOGY CO., LTD</small>							
TITLE		VS 5.08 Series 2P-24P Close Right-angle					
PART NO.		VSxx51x1xxxxG			DWG NO.		8VS0002
APPROVED		CHECKED		DESIGNED		DRAWN	
		Chen Bo		Chen Bo			
		11/18'13		11/18'13			
						UNIT: mm SCALE: NONE	
				SHEET: 01/01		REV.: D	
				Tolerance			
				X.		±0.50	
				X.X		±0.30	
				X.XX		±0.10	
				X°		±1°	