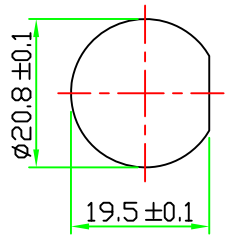
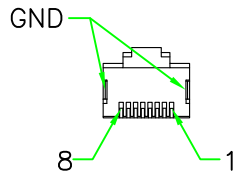


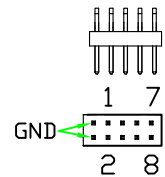
RoHS
IP66~68



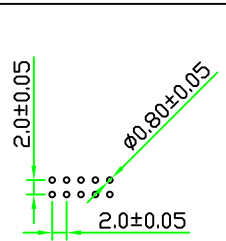
RECOMMENDED
PANEL CUT OUT



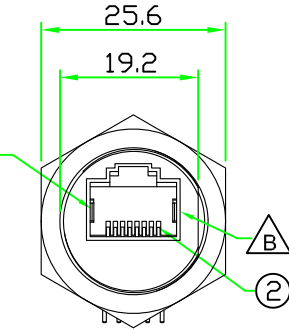
Pin Assignment
Front View(前視圖)



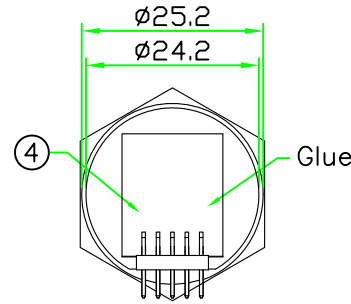
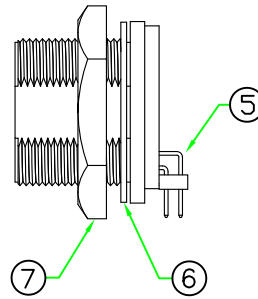
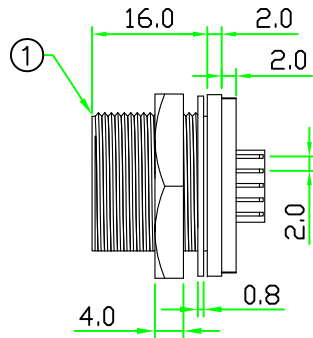
Pin Assignment
Rear View(後視圖)



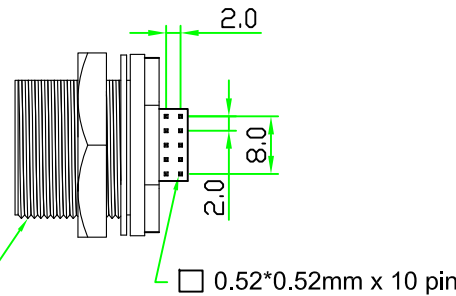
PCB Layout



FRONT VIEW
(前視圖)

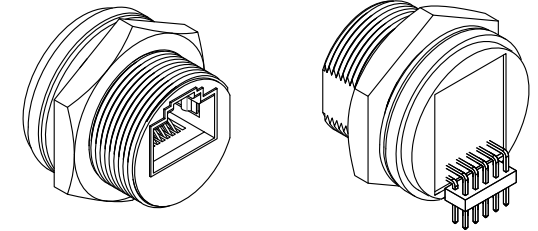


REAR VIEW
(後視圖)



OLD P/N:RJ45C-PJSRC
(原型號)

REV.	DESCRIPTION	DATE
A	ISSUE	May/11/2014
A1	Add Note	Dec/11/2014
B	Add Electrical Characteristics & Change design	Feb/02/2016



NOTES:

1. Current Rating: 1A
2. Voltage Rating: 150 VAC Max.
3. Connector Temperature Range: -25°C to 85°C
4. Contact Resistance: ≤30mΩ
5. Insulation Resistance: ≥100MΩ
6. Dielectric Withstanding Voltage:
1KVrms at 60Hz, 1 minute between adjacent contacts.
1.5KVrms at 60Hz, 1 minute between shield and contacts.
7. Request Panel Thickness Max. 4.0

No.	PART NAME	DESCRIPTION	COLOR	Q'TY	REMARKS
7	HEX NUT	NYLON+GF.	BLACK	1	
6	GASKET	EPDM.	BLACK	1	
5	CONNECTOR	R/A Pin Header, Pitch 2.0mm, 5P*2ROW.	NATURE	1	
4	PCB	FR4. Double Side, 1.0mm Thickness.		1	
3	GROUND	Ground Contact. SUS304.		2	
2	CONTACT	RJ45 PIN Contact. Phos. Bronze 50u" Gold Plating.		8	
1	CONNECTOR	RJ45 JACK Connector Insert. NYLON+GF.	BLACK	1	

HOLIN® HTP ASIA TECHNOLOGY CO., LTD. 禾凌科技股份有限公司					
	UNIT: mm	TITLE :	RJ45 JACK C Size Panel Connector Screw Type Round Flange 10P Right Angle Pin Header		
SCALE	1:1	P/N:	RJ45C-P3C02		DR. Patty
UNLESS OTHERWISE SPECIFIED TOLERANCES:		P/N:		CH. ERIC	
.x ± 0.5 .xx ± 0.25		P/N:		AP.	
.xxx ± 0.1 ANGLE ± 1'		DWG.NO:		RJ45C-P3C02	
REV.	SHEET	DWG.NO:		RJ45C-P3C02	
B	1/1	DWG.NO:		RJ45C-P3C02	