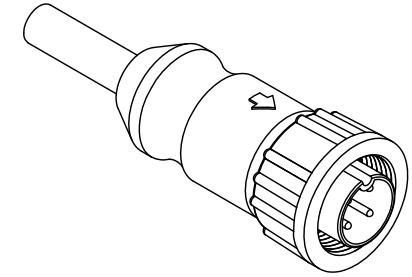
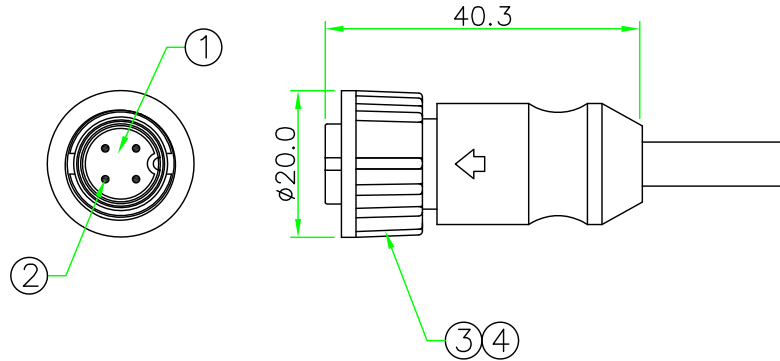


RoHS

IP66-68

REV.	DESCRIPTION	DATE
A	ISSUE	May/22/2015

Ref.

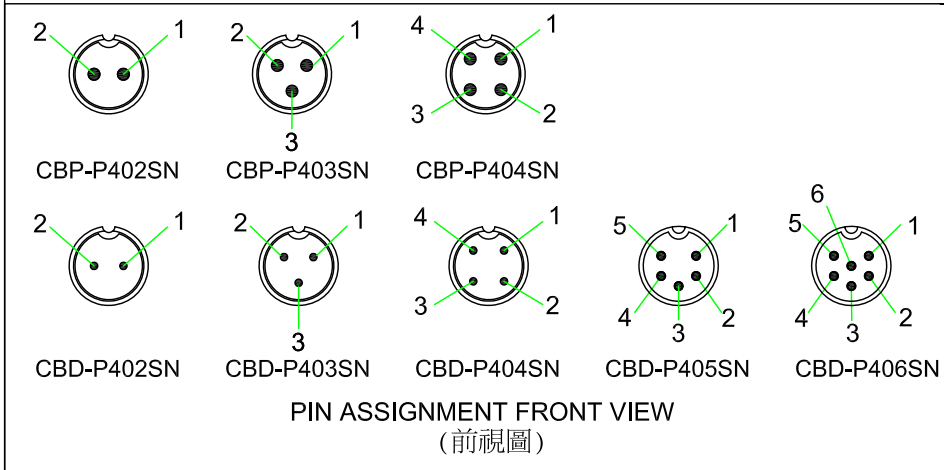


NOTES:

- ELECTRICAL CHARACTERISTICS:
 CURRENT RATING: 5A / 10A
 CONNECTOR TEMPERATURE RANGE: -20°C TO +80°C
 DIELECTRIC WITHSTANDING VOLTAGE:
 500V AC FOR ONE MINUTE
- HOW TO ORDER: CB_x-P4_{xx}SN

- 02 - 2 PIN
- 03 - 3 PIN
- 04 - 4 PIN
- 05 - 5 PIN
- 06 - 6 PIN

P - CURRENT RATING 10A
 D - CURRENT RATING 5A



4	SCREW NUT	NYLON+GF.	BLACK	1	
3	O-RING	VITON	BLACK	1	
2	CONTACT	Brass ,Male Pin. 6u" Gold Plated.		N	
1	CONNECTOR	B Size Female Connector Insert, NYLON+GF.	BLACK	1	
No.	PART NAME	DESCRIPTION	COLOR	Q'TY	REMARKS

HOLIN [®] HTP ASIA TECHNOLOGY CO., LTD. 禾凌科技股份有限公司		TITLE : Circular B Size Screw Type Female Connector Male Pin Molded Cable	
	UNIT: mm	P/N: CB _x -P4 _{xx} SN	
SCALE	1:1	DR. Patty	
UNLESS OTHERWISE SPECIFIED TOLERANCES: .x ± 0.5 .xx ± 0.25 .xxx ± 0.1 ANGLE ± 1°		CH. ERIC	
REV. A	SHEET 1/1	AP.	
DWG.NO: CB _x -P4 _{xx} SN			