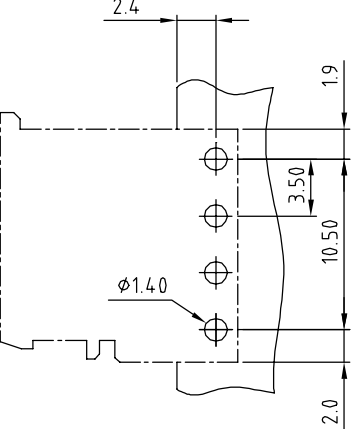
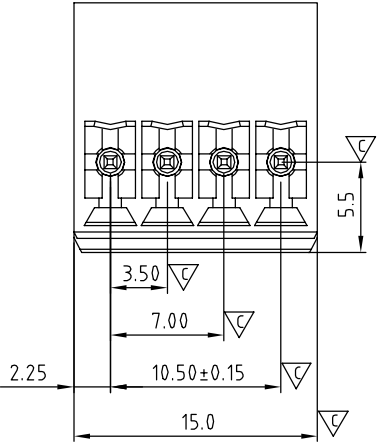


SIGN	DATE	DESCRIPTION	APPROVER
△	02/18'12	Change the pin chamfer	Aaron
△			

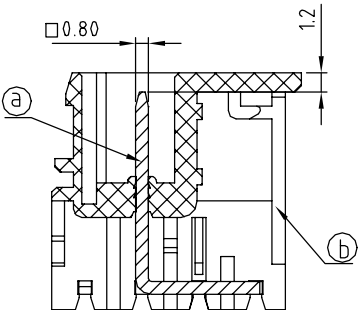
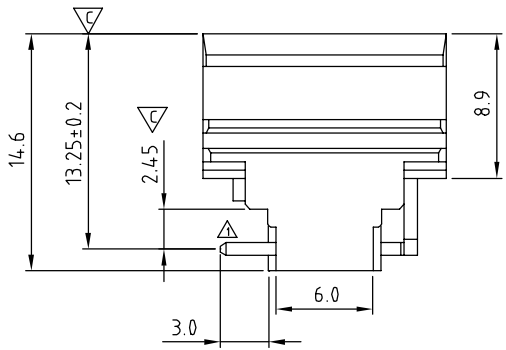
THIS IS CAD DRAWING, DO NOT REVISE MANUALLY!!!



P.C.B LAYOUT

- Material:
- Item ③ Male contact pin: Copper Tin plated
  - Item ④ Terminal(housing): Thermoplastic (UL94V-0)

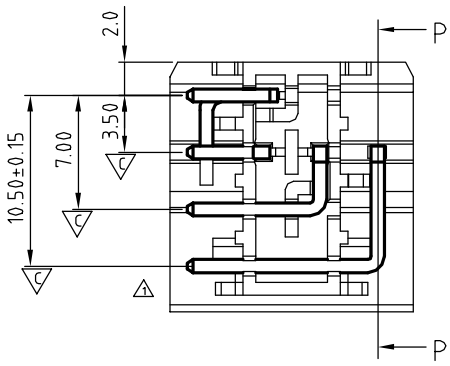
- Electrical:
- Voltage rating: 300V
  - Current rating: 10A
  - Withstanding Voltage: 1.6 KV
  - Operating temperature: -40°C to +115°C
  - Soldering temperature: 250°C±10°C/5 Sec
  - Safety Approval:
  - Critical dimension: ▽



Section P-P

EU 04 10 x 1 xxxx G

- COLOR
- 0 Black (RAL9005)
  - 2 Red (RAL3001/D)
  - 3 Orange(RAL2011/P)
  - 4 Yellow(RAL1018/A)
  - 5 Green(RAL6018/T)
  - 6 Blue (RAL5015/A)
  - 8 Grey(RAL7035/D)
  - 9 White(RAL1102)
  - C Green(RAL6018/U)
- RoHS compliant (lead<4%)  
In copper Alloy
- 0000 Standard @ Logo  
000A Standard ANY Logo  
Any special item by customer request, please contact sales department.



ANYTEK				CUSTOMER COPY			
ALL RIGHTS RESERVED. REPRODUCTION OR ISSUE TO THIRD PARTIES IN ANY FORM WHATSOEVER IS NOT PERMITTED WITHOUT WRITTEN AUTHORITY FROM THE PROPRIETOR. PROPERTY OF ANYTEK TECHNOLOGY CO., LTD							
TITLE	EU 3.5 SERIES 4P (Left)			DWG NO.	8EU0104		
PART NO.	EU0410x1xxxxG			CUST NO.			
APPROVED	CHECKED	DESIGNED	DRAWN			Tolerance	
		Aaron 2012.02.18	Jacke 2010.07.17			UNIT: mm	X. ±0.50
				SHEET: 01/01		SCALE: NONE	X.X ±0.30
						REV.: C	X.XX ±0.10
							X° ±1°