

REV.	DESCRIPTION	DRAWN	CHECKED	APPROVED
A	NEW RELEASE	LJC 04/07/09'		

NOTES:

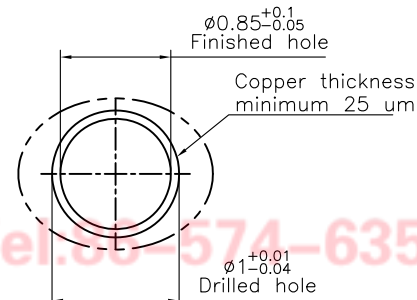
- Material:
Insulator: PBT With glass fiber. UL94 V-0.
Contact: Copper alloy.
- Electrical performance
Current rating: 1.9A.
Contact resistance: 20mΩ maximum.
Insulation resistance: 1000MΩ minimum.
Dielectric withstanding voltage: 500V AC(r.m.s) per 60s.
- Environment performance:
Temperature range: -55°C~+125°C.
- Mechanical performance:
Mating force: 150g per pin maximum.
Withdrawal force: 30g per pin minimum.
Press-In force: 8Kgf per maximum.
- Recommend PCB thickness: 1.4mm
- Product number code:

PC104-008 - XX X X

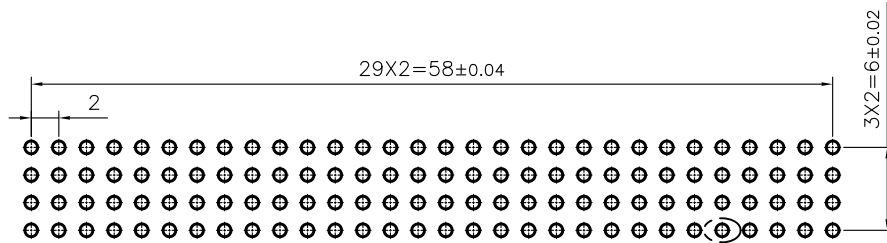
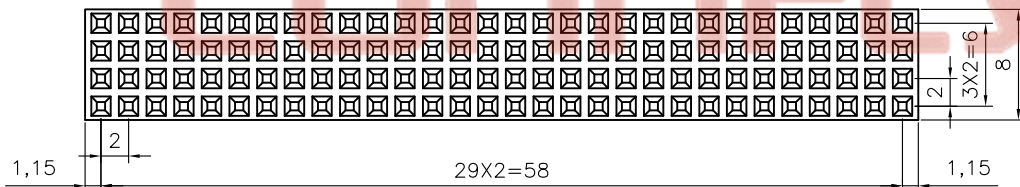
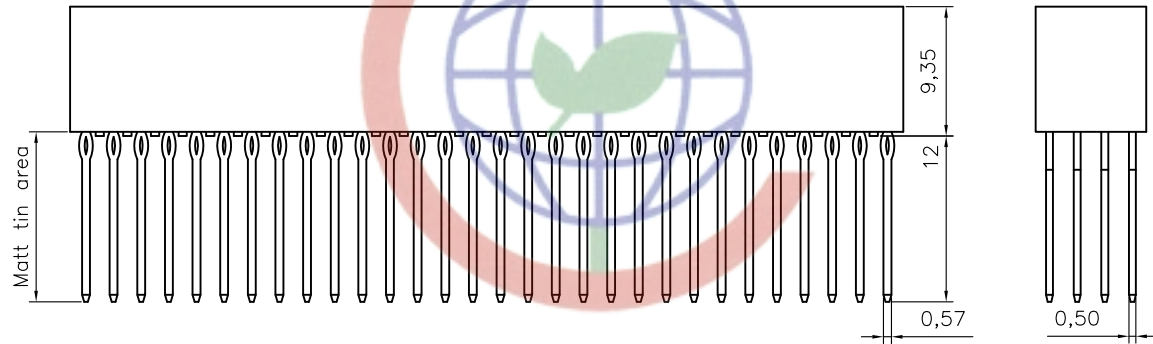
- Contact plating:
1: Selective 10u" gold(contact area)
3: Selective 30u" gold(contact area)
6: Full Matt Tin(General Mode)

Color:
B: Black
A: Gray

No. of positions:
4*2 ~ 4*30



A(10:1)



Recommend PCB layout

suggested hole size see detail A

GENERAL TOLERANCE		ANGLE TOLERANCE		PROJECTION	TITLE
X.	±0.60	X.	±5°		PC/104 Plus Non Stack
.X	±0.38	.X	±3°	mm	V/T Type
.XX	±0.25	.XX	±2°	A4	SERIES PC104-008 SERIES
DRAWING TYPE	CUSTOMER		晨翔电子有限公司 CONNFLY CONNFLY ELECTRONIC CO. LTD		
SCALE	1:1	SHEET 1 OF 1			
DRAWING NO.	C-PC104-008-XXXX				

Tel: 86-574-63508787
 Fax: 86-574-63510817
 E-mail: sale@zhenqin.com.cn
 Http://www.connfly.com
 Add: East China Town, Zhenqin, Zhejiang, China
 P.C: 315333