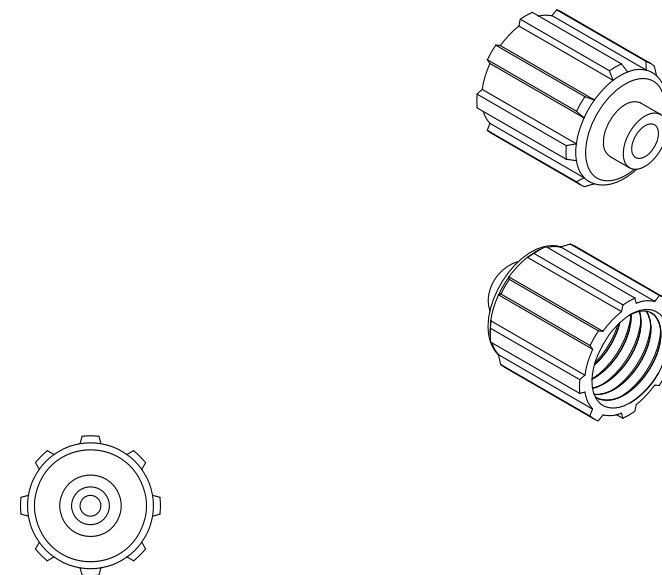
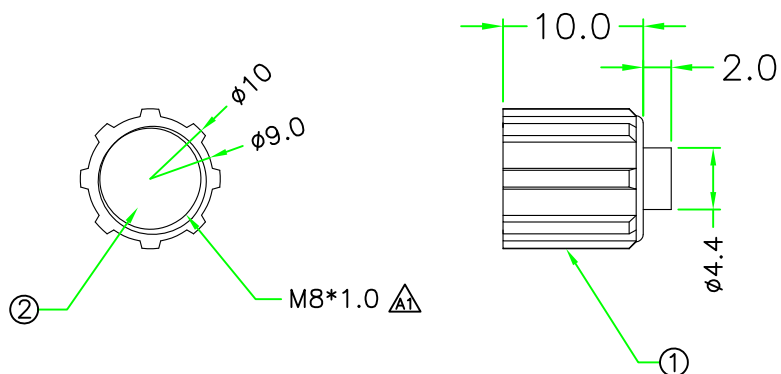


PROPRIETARY AND CONFIDENTIAL
 THE INFORMATION CONTAINED IN THIS DRAWING IS THE SOLE PROPERTY OF HTP ASIA TECHNOLOGY CO., LTD. .
 ANY REPRODUCTION IN PART OR AS A WHOLE WITHOUT THE WRITTEN PERMISSION OF HTP ASIA TECHNOLOGY CO., LTD. IS PROHIBITED.

REV.	DESCRIPTION	DATE
A	ISSUE	Apr/24/2014
A1	Correct thread note.	May/30/2019



RoHS

HOLIN® HTP ASIA TECHNOLOGY CO., LTD.
 禾凌科技股份有限公司

	UNIT: mm	TITLE :	Waterproof Cap for M8 Male Connector
SCALE	2:1	P/N:	08P-WCAP-MA
UNLESS OTHERWISE SPECIFIED TOLERANCES: x ±0.25 xx ±0.1 xxx ±0.05 ANGLE ± 1°		DWG.NO:	08P-WCAP-MA
REV.	SHEET		
A1	1/1		

No.	PART NAME	DESCRIPTION	COLOR	Q'TY	REMARKS
2	GASKET	EPDM.	BLACK	1	
1	CAP	NYLON+GF.	BLACK	1	

DR. JAMES
 CH. ERIC
 AP.