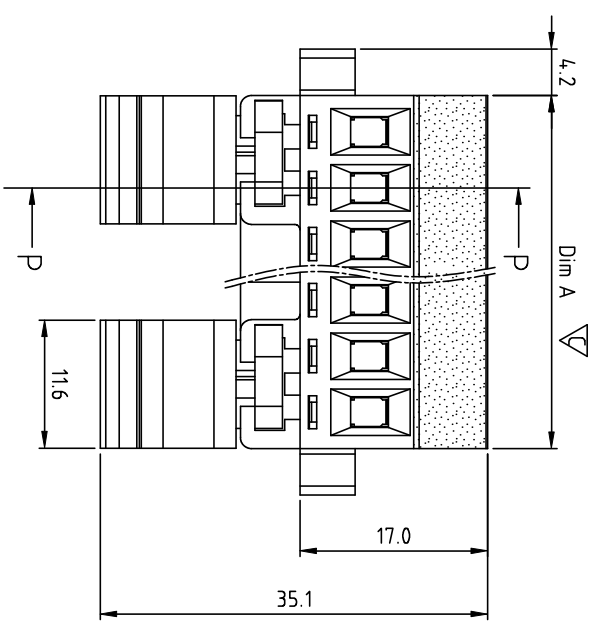
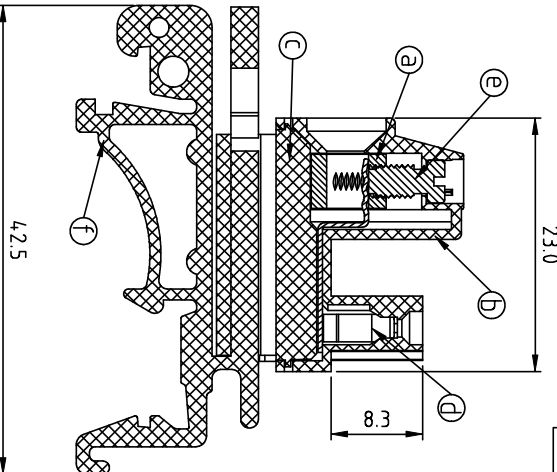
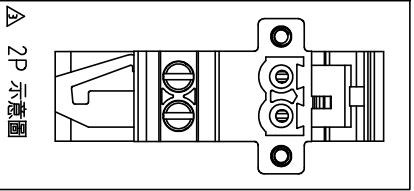


3P-24P 卡勾位置示意图



V9 XX 5 1 X 5 XXXX G

- No. OF POLES
 02: 2 POLES
 03: 3 POLES
 ...
 24: 24 POLES
- COLOR
 0 Black (RAL 9005)
 2 Red (RAL 3001/D)
 3 Orange (RAL 2011/P)
 4 Yellow (RAL 1018/A)
 5 Green (RAL 6018/T)
 6 Blue (RAL 5015/A)
 8 Grey (RAL 7035/D)
 9 White (RAL 1102)
 C Green (RAL 6018/U)
- RoHS compliant (lead < 4%)
 In copper alloy
- 0000: "Ⓜ" Logo (Standard)
 000A: "ANYTEK" Mark
 Any special item by customer request.
 please contact sales department.



SECTION P-P

SIGN	DATE	DESCRIPTION	APPROVER
△	11/09/11	Add is cillus	Aaron
△	11/09/11	The Dim C is added	Aaron
△	01/21/16	Update the drawing & Add the 2P view	Evan

THIS IS CAD DRAWING, DO NOT REVISE MANUALLY!!!

- Material:
- Item Ⓜ Clamp: Brass Ni plated
 - Item Ⓜ Terminal (housing): Thermoplastic (UL 94V-0)
 - Item Ⓜ Terminal (Cover): Thermoplastic (UL 94V-0)
 - Item Ⓜ Male contact: PhBz, Bright Tin plated over Nickel plated
 - Item Ⓜ Terminal screw: Steel Zinc plating " - " slot type
 - Item Ⓜ Terminal(track): Thermoplastic (UL 94V-0)
 - Item Ⓜ With flange nut: Brass M2.5
- Electrical:
- Voltage rating: 300V
 - Current rating: 12A
 - Wire range:
 - Solid wire (AWG): 12-30
 - Stranded wire (AWG): 12-30
 - Torque: 5.2Lb-in.
 - Screw: M3
 - Wire strip length: 6-7 mm
 - Withstanding Voltage: 16KV
 - Operating temperature: -40°C to +115°C
 - Safety Approval: **UL** cillus
 - Critical dimension: **▽**

Dimension

Dim. A	(N-1) × 5.08 + 6.6
Dim. B	(N-1) × 5.08
Dim. C	N × 5.08

N=Number of poles

Poles	Tolerance
2P - 6P	±0.15
7P - 12P	±0.20
13P - 18P	±0.30
19P - 24P	±0.40

ANYTEK

CUSTOMER COPY

ALL RIGHTS RESERVED. REPRODUCTION OR ISSUE TO THIRD PARTIES IN ANY FORM WHATSOEVER IS NOT PERMITTED WITHOUT WRITTEN AUTHORITY FROM THE PROPRIETOR OR PROPERTY OF ANYTEK TECHNOLOGY CO., LTD

TITLE		V9-5.08 mm Series 2P-24P W/ Flange (Dinrail holder B type)	
PART NO.	V9xx5k5xxxxG	DWG NO.	8V90001
APPROVED	CHECKED	DESIGNED	DRAWN
	Evan	02/15-16	Tony
		2008.01.19	
SHEET: 01/01		REV: D	
UNIT: mm		Tolerance	
SCALE: NONE		X ±0.50	
		XX ±0.30	
		XXX ±0.10	
		X* ±1*	