

The information provided herein is from CONNELY Electronic Co., Ltd. and is confidential. Any disclosure to a party other than the recipient is prohibited. The intellectual properties and its rights contained herein, including but not limited to, trademarks, patents, copyrights, trade secrets, and technical know-how, are owned exclusively by CONNELY or its affiliates. Unauthorized use of this information in any format or manner. CONNELY may enforce its intellectual property rights at its own discretion; failures or delays to exercise such rights does not constitute a waiver of such rights.

1 2 3 4 5 6 7 8

REV.	DESCRIPTION	DRAWN	CHECKED	APPROVED
A	NEW RELEASE	JLZ 07/26/19'		

**NOTES:**

**1. SPECIFICATIONS**

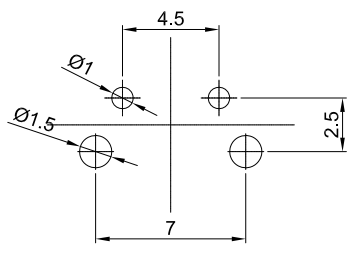
- . Contact Rating: 100mA at 30Vdc
- . Insulation Resistance: 100MΩ min.
- . Contact Resistance: 100mΩ max.
- . Dielectric Withstanding Voltage: 250V AC(rms) for 1 minute.
- . Operating Life: 100,000 cycles
- . Travel: 0.25±0.1mm
- . Operation Temperature Range: -25°C to +70°C

- . Wave Soldering: Recommended Solder Temperature At 500°f(260°C)max. 5 Seconds
- . Hand Soldering: Use Soldering Iron Of 30 Watts, Controlled At 608°f(320°C) Approximately 2 Seconds.

**2. PRODUCT NUMBER CODE:**

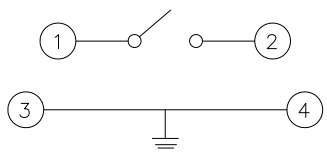
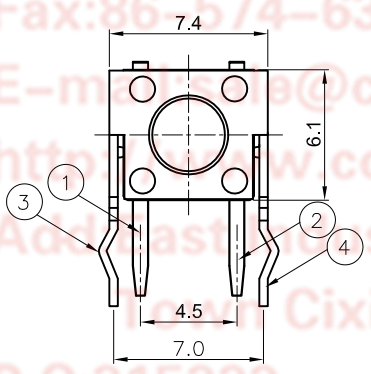
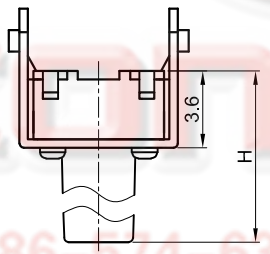
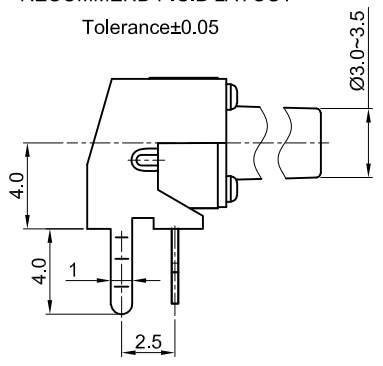
DS1041-21 - X X X X X X X

- Operating Life  
10: 100,000 cycles
- Operating force  
100: 100±30gf  
130: 130±30gf  
160: 160±30gf
- Packing type  
A: polybag
- Actuator color  
K: Black
- Housing color  
K: Black
- Profile Height  
070: 7.0mm  
130: 13.0mm  
058: 5.85mm  
038: 3.85mm  
050: 5.0mm  
080: 8.0mm
- No. of contacts  
2: 2 pos



RECOMMEND P.C.B LAYOUT

Tolerance±0.05



CIRCUIT DIAGRAM

Tel: 86-574-63508787  
 Fax: 86-574-63510817  
 E-mail: sales@connfly.com  
 http://www.connfly.com  
 Address: Industry Zone KuangYan  
 Cixi Ningbo China  
 P.C: 315333

GENERAL TOLERANCE		ANGLE TOLERANCE		PROJECTION		TITLE	6.1*6.1mm Tact Switch R/A	
X.	±0.60	X.	±5°	UNITS	mm		2 Positions Type	
.X	±0.38	.X	±3°	SHEET SIZE	A4	SERIES	DS1041-21 SERIES	
.XX	±0.25	.XX	±2°			晨翔电子有限公司 <b>CONNFLY CONNFLY ELECTRONIC CO. LTD</b>		
DRAWING TYPE		CUSTOMER						
SCALE		1:1	SHEET	1 OF 1				
DRAWING NO.		C-DS1041-21-XXXXXX-A						

1 2 3 4 5 6 7 8