

SIGN	DATE	DESCRIPTION	APPROVER
△			
△			

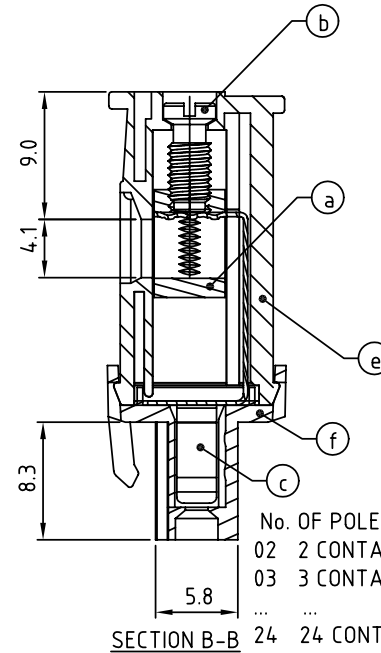
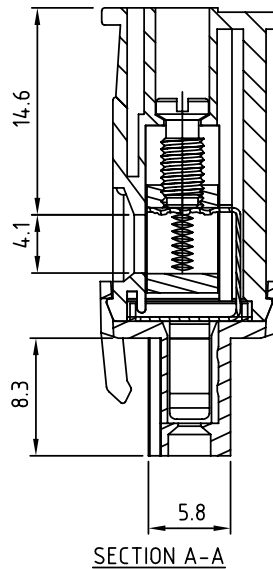
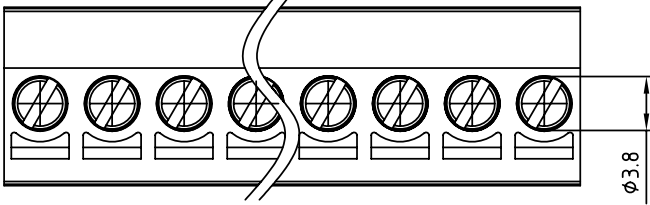
THIS IS CAD DRAWING, DO NOT REVISE MANUALLY!!!

Material

- Item (a) Clamp: Brass(CuZn)Ni plated
- Item (b) Terminal screw: Steel Zinc plating "-" slot type
- Item (c) Female contact: PhBz Tin plated
- Item (d) Terminal (up body): Thermoplastic (UL94V-0)
- Item (e) Terminal (down body): Thermoplastic (UL94V-0)

Electrical cULus

- Voltage rating: 300VAC
- Current rating: 20A
- Wire range:
- Solid wire(AWG): 12-24
- Stranded wire(AWG): 12-24/(2xAWG14)
- Torque: 4.0 Lb-In
- Screw: M3
- Wire strip length: 6-7mm
- Withstanding Voltage: 1.6KV
- Operating temperature: -40°C to +115°C
- Safety approval: cULus



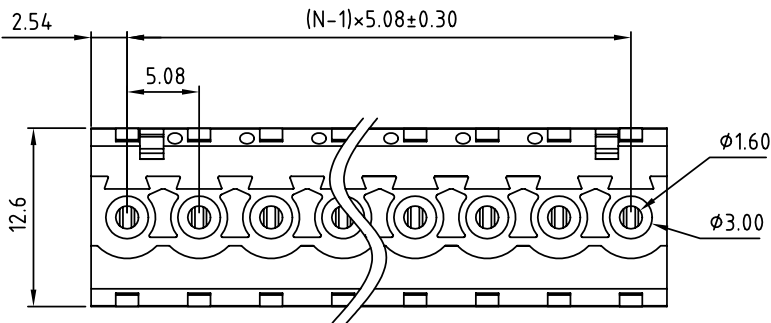
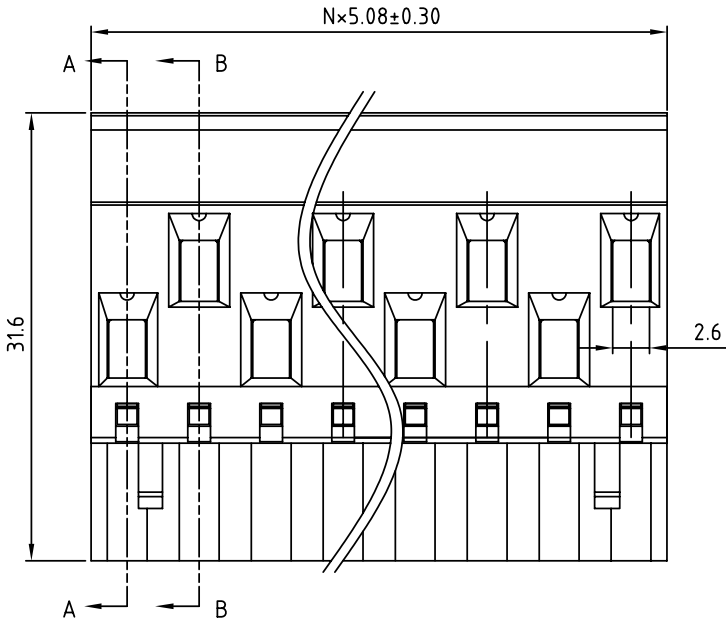
EY xx 51 x A xxxx G

No. OF POLES
 02 2 CONTACTS
 03 3 CONTACTS

 24 24 CONTACTS

Color
 0 Black (RAL9005)
 2 Red (RAL3001/D)
 3 Orange(RAL2011/P)
 4 Yellow(RAL1018/A)
 5 Green(RAL6018/T)
 6 Blue (RAL5015/A)
 8 Grey(RAL7035/D)

G: Pb<40000ppm
 0000: "@" Logo (Standard)
 000A: "ANYTEK" Mark
 Any special item by customer request. please contact sales department.



ANYTEK				CUSTOMER COPY			
ALL RIGHTS RESERVED. REPRODUCTION OR ISSUE TO THIRD PARTIES IN ANY FORM WHATSOEVER IS NOT PERMITTED WITHOUT WRITTEN AUTHORITY FROM THE PROPRIETOR. PROPERTY OF ANYTEK TECHNOLOGY CO., LTD							
TITLE		EY-5.08mm Series (W/latching hooks on the wire entry side)					
PART NO.		EYxx51xAxxxxG			DWG NO.		8EY0001
APPROVED		CHECKED	DESIGNED	DRAWN	CUST NO.		Tolerance
		Marvin 2007.10.05	Marvin 2007.10.05	Marvin 2007.10.05			X. ±0.50 X.X ±0.30 X.XX ±0.10 X° ±1°
						UNIT: mm	
						SCALE: NONE	
						REV.: B	
				SHEET: 01/01			