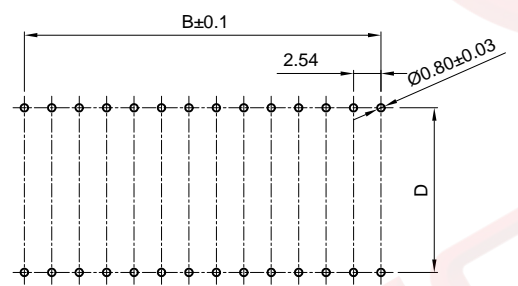
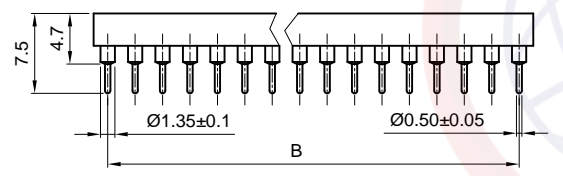
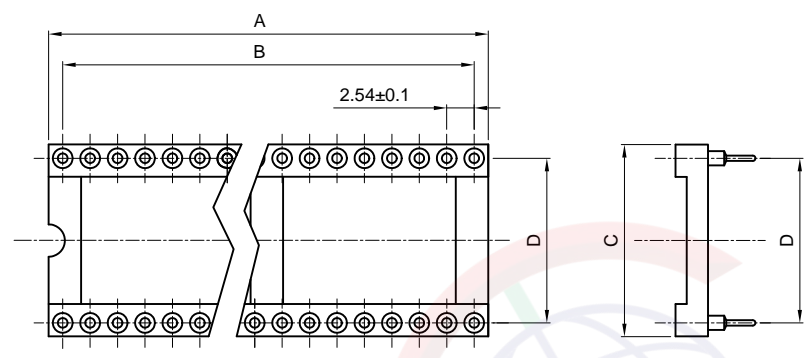


Dept	Qty
DC	1
ED	1
IE	1
ISO	1
PD	1
R&D	1
SD	1
QA	1
QC	1
QE	1

The information provided herein is from CONNELY Electronic Co., Ltd. and is confidential. Any disclosure to a party other than the recipient is prohibited. The intellectual properties and its rights contained herein, including but not limited to, trademarks, patents, copyrights, trade secrets, and technical know-how, are owned exclusively by CONNELY or its affiliates. Unauthorized use or reproduction of any part of this document is strictly prohibited. CONNELY may enforce its intellectual property rights at its own discretion, failures or delays in exercise of such rights, does not constitute a waiver of such rights.



Recommended PCB Layout(Tolerance=±0.05)



(Series Image-Reference Only)

Positions	Dimension			
	A±0.5	B±0.3	C	D±0.2
06	7.62	5.08	10.16	7.62
08	10.16	7.62	10.16	7.62
14	17.78	15.24	10.16	7.62
16	20.32	17.78	10.16	7.62
18	22.86	20.32	10.16	7.62
20	25.40	22.86	10.16	7.62
24	30.48	27.94	10.16	7.62
28	35.56	33.02	10.16	7.62
24	30.48	27.94	17.78	15.24
28	35.56	33.02	17.78	15.24
32	40.64	38.10	17.78	15.24
40	50.80	48.26	17.78	15.24
48	60.96	58.42	17.78	15.24

REV.	DESCRIPTION	DRAWN	CHECKED	APPROVED
A	NEW RELEASE	LJH 09/29/05'	~	LJH 09/29/05'
B	ADD P/N CODE	YCH 12/02/13'	~	LJC 12/02/13'
C	DRAWING UPDATE	JLZ 03/28/18'	~	LJC 03/28/18'
D	DRAWING UPDATE	JLZ 06/30/18'	~	

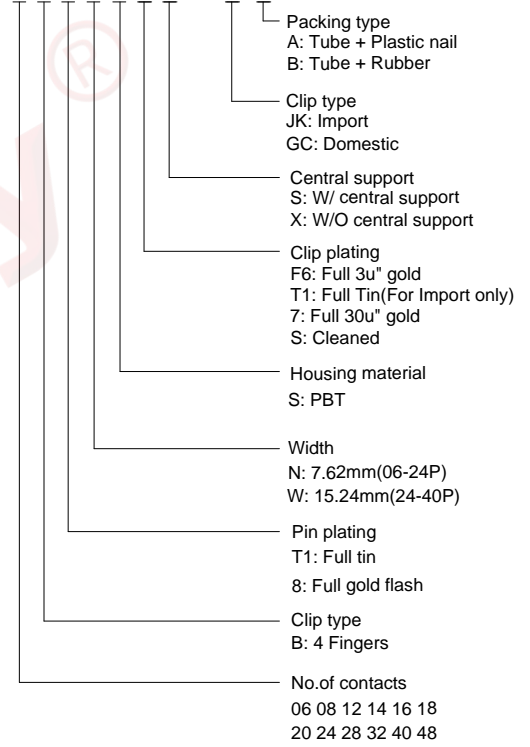
Notes:

1. Specifications:

- 1.1 Contact resistance: 20mΩ Max.
- 1.2 Dielectric withstanding voltage: 500V AC For 1 minute.
- 1.3 Insulation resistance: 1000MΩ Min.
- 1.4 Operating temperature: -40°C~+105°C.
- 1.5 Male pin range: Ø0.381~0.635.
- 1.6 Current rating: 3A Per Pin Max.

2. Product number code:

DS1001-01 - X X X X X X - XX X



GENERAL TOLERANCE		ANGLE TOLERANCE		PROJECTION		TITLE	2.54mm IC SOCKET(Machine Pin)	
X.	±0.60	X.	±5°	UNITS	mm	Vertical Through Type		
.X	±0.38	.X	±3°	SHEET SIZE	A4	SERIES	DS1001-01 SERIES	
.XX	±0.25	.XX	±2°	晨翔电子有限公司 CONNFLY CONNELY ELECTRONIC CO. LTD				
DRAWING TYPE		CUSTOMER						
SCALE	1:1	SHEET	1 OF 1					
DRAWING NO.		C-DS1001-01-XXXXX-D						