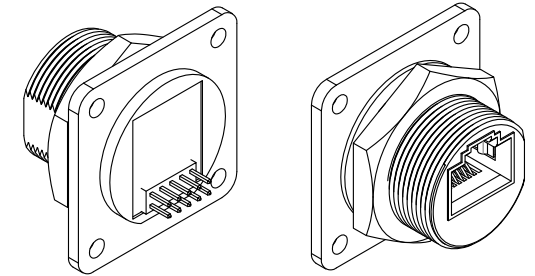
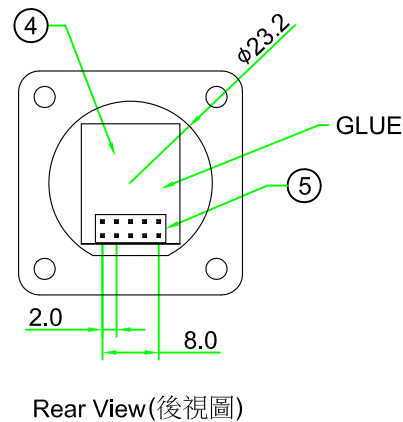
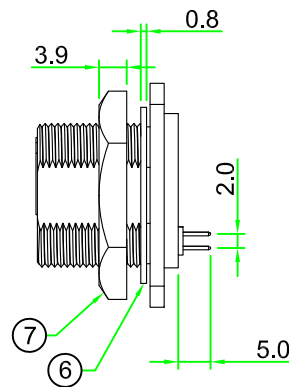
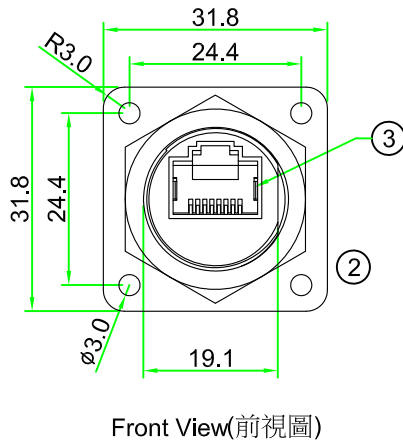
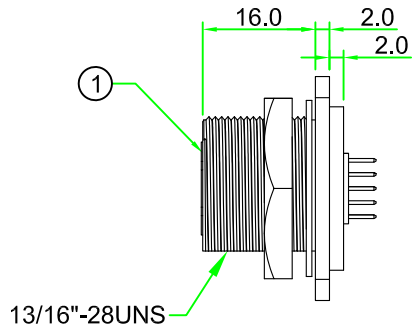
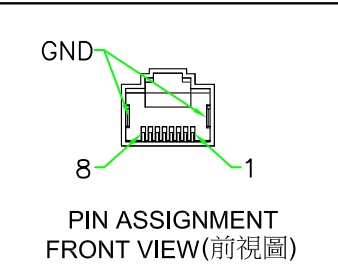
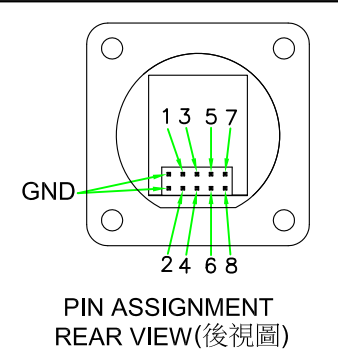
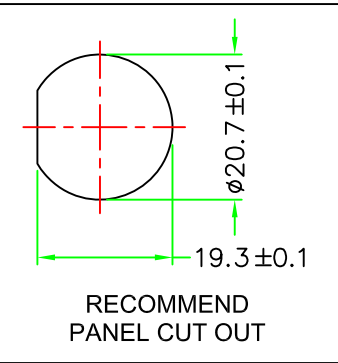


PROPRIETARY AND CONFIDENTIAL
 THE INFORMATION CONTAINED IN THIS DRAWING IS THE SOLE PROPERTY OF HTP ASIA TECHNOLOGY CO., LTD. .
 ANY REPRODUCTION IN PART OR AS A WHOLE WITHOUT THE WRITTEN PERMISSION OF HTP ASIA TECHNOLOGY CO., LTD. IS PROHIBITED.

RoHS

REV	DESCRIPTION	DATE
A	ISSUE	APR/14/2017



- NOTES:
1. Current Rating: 1A
 2. Voltage Rating: 150 VAC Max.
 3. Connector Temperature Range: -25°C to 85°C
 4. Contact Resistance: ≤30mΩ
 5. Insulation Resistance: ≥100MΩ
 6. Request Panel Thickness Max. 8.0

Old P/N : RJ45C-JPSSS

No.	PART NAME	DESCRIPTION	COLOR	Q'TY	REMARKS
7	HEX NUT	NYLON+GF.	BLACK	1	RJ45C-NUT (42-135)
6	GASKET	EPDM.	BLACK	1	CCA-G-EP70
5	CONNECTOR	Pin Header, Straight Angle, Pitch 2.0mm, 5 P x 2 ROW.	BLACK	1	
4	PCB	FR4. Double Side, 1.0mm Thickness.		1	RJ45-PCB
3	GROUND	Ground Contact. SUS304.		2	RJ45C-PLATE
2	CONTACT	RJ45 Pin Contact. Phos. Bronze 50u" Gold Plating.		1	RJ45J-180
1	CONNECTOR	RJ45 Jack Connector Insert. NYLON+GF.	BLACK	1	RJ45C-PQ (89-135)

HOLIN® HTP ASIA TECHNOLOGY CO., LTD.
 禾凌科技股份有限公司

UNIT: mm TITLE : RJ45 C Size Panel Connector Rear Mount Screw Type Square Flange With 10P Straight Pin Header

SCALE 1:1

UNLESS OTHERWISE SPECIFIED TOLERANCES:
 X ± 0.5 XX ± 0.25
 XXX ± 0.1 ANGLE ± 1°X

REV. A SHEET 1/1

P/N: RJ45C-P3Q01 DR. *jaek*
 CH. *ERIE*

DWG.NO: RJ45C-P3Q01 AP.