




SIGN	DATE	DESCRIPTION	APPROVER
△	11.01'05	Standard spec is changed.	Marivn
△	8/07'06	Added VDE and TUV standard	梁仁松
△	2010.03.13	Add the 2p mark	Jacke
△	2010.05.28	The design is changed	Cheng Bo

THIS IS CAD DRAWING, DO NOT REVISE MANUALLY!!!

Material

- Item a Clamp: Brass(CuZn),Nickel plated
- Item b Terminal screw: Steel Zinc plating "--" slot type
- Item c Female contact: PhBz, Tin plated
- Item d Terminal (up body): Thermoplastic (UL94V-0)
- Item e Terminal (down body): Thermoplastic (UL94V-0)

△△ Electrical cULus/VDE/TUV

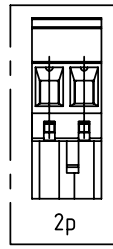
- Voltage rating: 300VAC/300VAC/300VAC
- Current rating: 15A/17A/15A
- Wire range: 2.5mm² /0.34-2.5mm²
- Solid wire(AWG): 12-24
- Stranded wire(AWG): 12-24
- Torque: 3.5Lb-In./0.5Nm/0.4Nm
- Screw: M3
- Wire strip length: 6-7mm
- Withstanding Voltage: 1.6KV/2.5KV/2.5KV
- Operating temperature: -40°C to +115°C
- Safety approval:   

TS xx 71 x A xxxx G

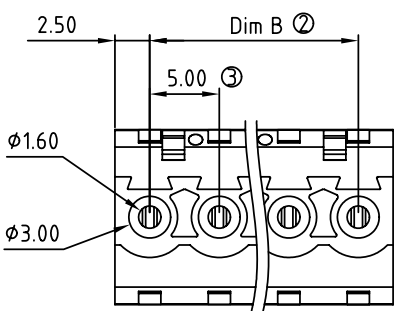
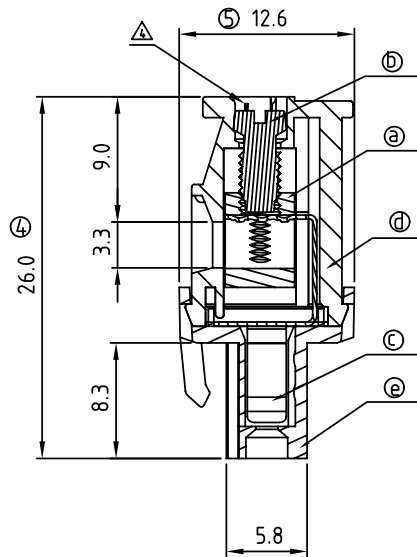
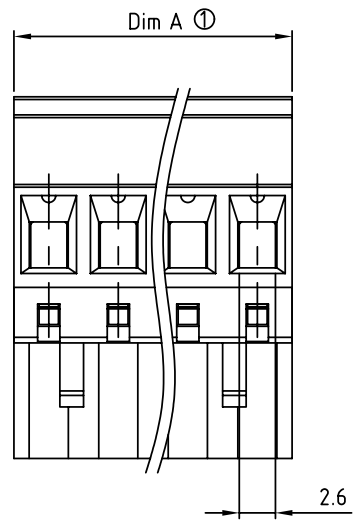
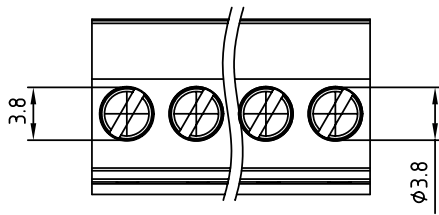
	Color		
02 2 CONTACTS	0 Black (RAL9005)	0000: "@ " Logo	RoHS
03 3 CONTACTS	2 Red (RAL3001/D)	000A: "ANYTEK" Mark	Pb<40,000ppm
...	3 Orange(RAL2011/P)	0091: "ANYTEK" Mark	
24 24 CONTACTS	4 Yellow(RAL1018/A)	Any special item by customer request. please contact sales department.	
	5 Green(RAL6018/T)		
	6 Blue (RAL5015/A)		
	8 Grey(RAL7035/D)		

N = Number of poles
 Dim A=Nx5.0
 Dim B=(N-1)x5.0

	Dim A	Dim B
2-6p	±0.15	±0.15
7-12p	±0.25	±0.25
13-18p	±0.30	±0.30
19-24p	±0.40	±0.40



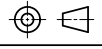
2p



ANYTEK

CUSTOMER COPY

ALL RIGHTS RESERVED. REPRODUCTION OR ISSUE TO THIRD PARTIES IN ANY FORM WHATSOEVER IS NOT PERMITTED WITHOUT WRITTEN AUTHORITY FROM THE PROPRIETOR. PROPERTY OF ANYTEK TECHNOLOGY CO., LTD

TITLE		TS-5.0mm Series(W/latching hooks on the wire entry side)			
PART NO.		TSxx71xAxxxxG		DWG NO. 8TS0001	
APPROVED	CHECKED	DESIGNED	DRAWN	CUST NO.	
			Cheng Bo 2010.05.28	 UNIT: mm SCALE: NONE SHEET: 01/01	
				X.	±0.50
				X.X	±0.30
				X.XX	±0.10
				X°	±1°