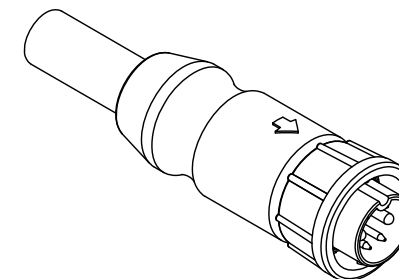
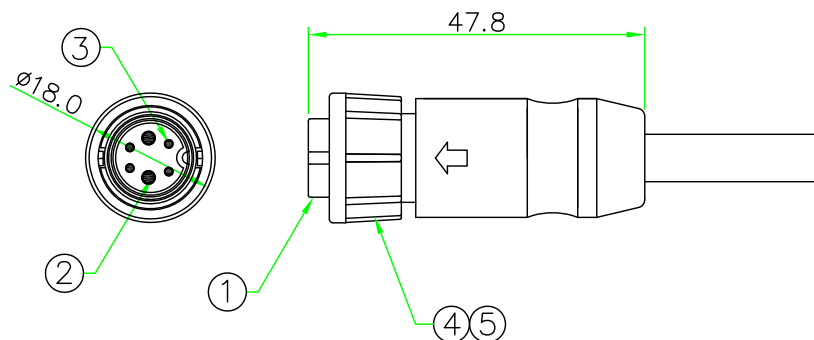


RoHS

IP66~68

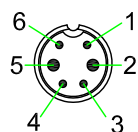
REV.	DESCRIPTION	DATE
A	ISSUE	Nov/03/2015

Ref.



NOTES:

- 1. ELECTRICAL CHARACTERISTICS:
 CURRENT RATING: 10A + 5A
 CONNECTOR TEMPERATURE RANGE: -20°C TO +80°C
 DIELECTRIC WITHSTANDING VOLTAGE:
 500V AC FOR ONE MINUTE



PIN ASSIGNMENT FRONT VIEW (前視圖)

HOLIN® HTP ASIA TECHNOLOGY CO., LTD. 禾凌科技股份有限公司

No.	PART NAME	DESCRIPTION	COLOR	Q'TY	REMARKS
5	LOCK NUT	NYLON+GF.	BLACK	1	
4	O-RING	VITON	BLACK	1	
3	CONTACT	Brass, Male Pin. 6u" Gold Plated.(5A)		4	
2	CONTACT	Brass, Male Pin. 6u" Gold Plated.(10A)		2	
1	CONNECTOR	B Size Female Connector Insert, NYLON+GF.	BLACK	1	

	UNIT: mm	TITLE :	Circular B Size Lock Type Female connector Male Pin Molded Cable
SCALE	1:1	P/N:	CBPD-L424SN
UNLESS OTHERWISE SPECIFIED TOLERANCES: .x ± 0.5 .xx ± 0.25 .xxx ± 0.1 ANGLE ± 1'		DWG.NO:	CBPD-L424SN
REV. A	SHEET 1/1	DR. Patty	CH. ERIC
		AP.	