

RECOMMENDED PCB LAYOUT  
AS VIEWED FROM COMPONENT SIDE

Specification 规格:

Electrical 电气规格:

Voltage Rating 电压额定值: 125 V AC (RMS)  
 Current Rating 电流额定值: 1.5 Amp  
 Contact Resistance 接触电阻值: 30mΩ Max.  
 Insulation Resistance 绝缘电阻值: 1000MΩ Min. @ 500 VDC  
 Dielectric Strength 电介质强度: 1000 VAC RMS 60Hz, 1 Min.

Material 物料规格:

Housing Material 塑胶外壳: High Temp Nylon UL94V-0, Black  
 Insert 插入: High Temp Nylon UL94V-0, Black  
 Contact Material 端子材料: Phosphor Bronze 0.35mm Thickness  
 Plating 电镀规格: Gold Plating over Nickel  
 Operating Life 使用寿命: 750 Cycles Min.  
 PCB Retention Force After Solder 焊接后保持力: 10 LBS Min.

Environmental 环境的:

Storage Temperature 储存温度: -40°C to +85°C  
 Operation Temperature 使用温度: -40°C to +85°C  
 IR Reflow Soldering Temperature 回流焊接温度: 255°C to 265°C, 5-10 seconds

Ordering Grid

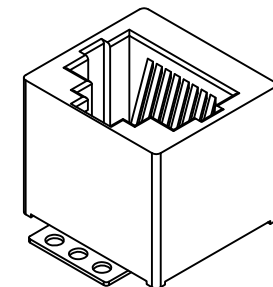
MJ3305 - 88 - X - X Request Samples and Quotation

No. of Positions/  
Positions Loaded  
88=8/8

Mylar Film - for pick and place

A = Without  
 B = With (Standard)

Contact Plating  
 2 = 6μ" Gold (Standard)  
 4 = 30μ" Gold

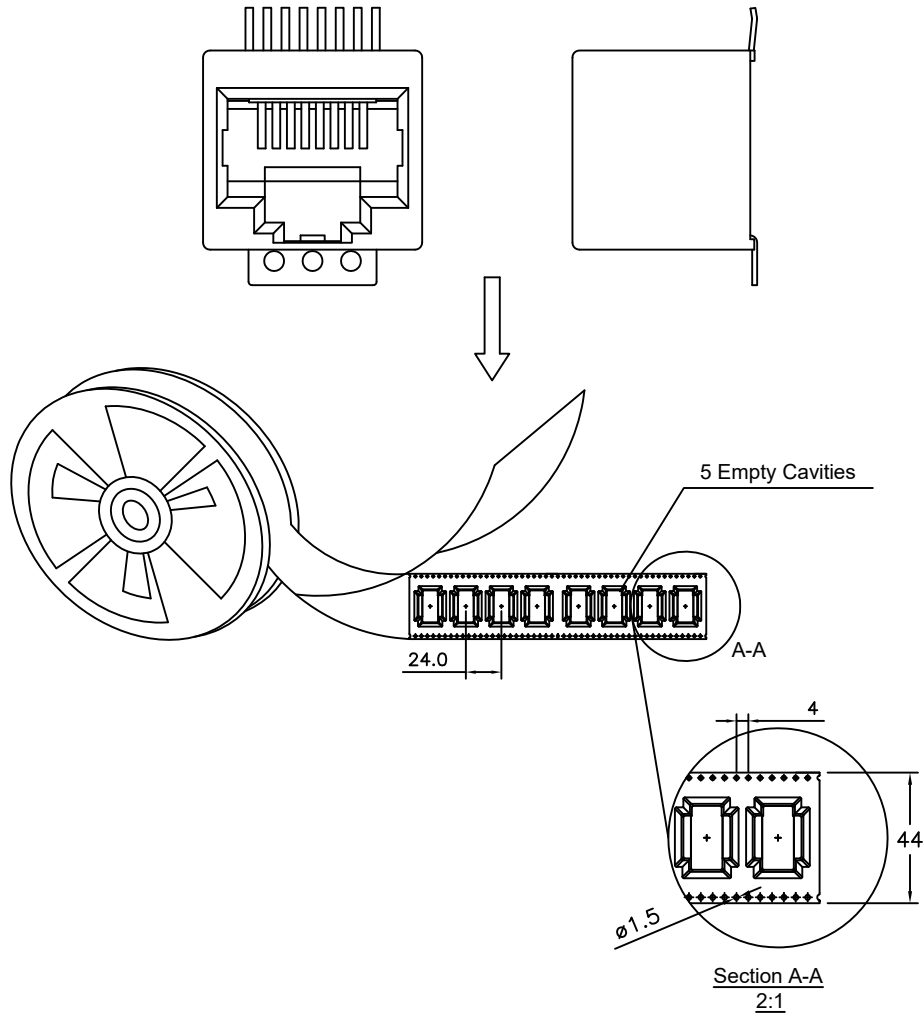


Part Number		Product Description				 www.gct.co	
MJ3305 - 8 Position		Modular Jack Connector, 8 Position, Category 3, Vertical SMT, Low Profile, With Solder Tab, Without PCB Peg					
Drawing Date		11th May 2010		Units: Metric (mm)		This drawing is confidential and copyright of Global Connector Technology, Ltd (GCT). This drawing must not be copied or disclosed without written consent. E & OE	
By	AJO	Tolerances (Except as Noted)		± 5°		Not to Scale	
Detail	MJ3305-8 B PCN	Length	Angle	3rd Angle Projection		Drawn By PKN	
Revision	B	X.X ± 0.20				Sheet No. 1/2	
Date	15/06/12	X.XX ± 0.15					
		X.XXX ± 0.10					

1. Packing Material 包材 - Tape Reel

Quantity 數量 - 1\*150=150 PCS

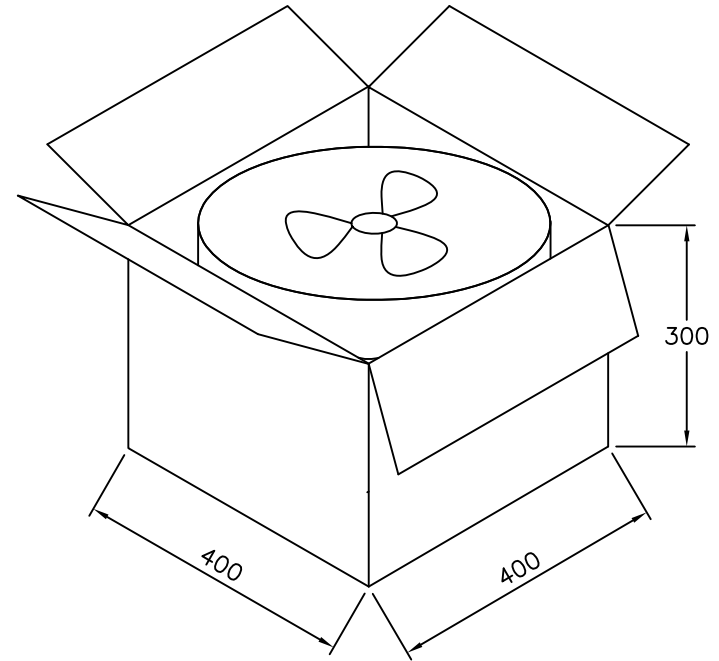
Tape Reel 卷帶 - Width 44 \* Depth 15.7 \* Pitch 24 = Total Length 4.1m  
 Reel 卷盤 - ø380mm






2. Packing Material 包材 - Carton 1 PC

Quantity 數量 - 150\*6=900 PCS

Part Number 零部件料号	Net Weight 淨重	Gross Weight 毛重	Q'TY 數量
MJ3305-88-X-X	7.00Kg	7.50Kg	900



Part Number MJ3305 - 8 Position		Product Description Modular Jack Connector, 8 Position, Category 3, Vertical SMT, Low Profile, With Solder Tab, Without PCB Peg		 www.gct.co
Drawing Date 11th May 2010				
By AJO	Detail MJ3305-8 B PCN	Tolerances (Except as Noted) Length	Angle	
Revision B	Date 15/06/12	Units: Metric (mm)		 This drawing is confidential and copyright of Global Connector Technology, Ltd (GCT). This drawing must not be copied or disclosed without written consent. E & OE
		 3rd Angle Projection		
Not to Scale	Drawn By PKN	Sheet No. 2/2		